

## Manuals+

[Q & A](#) | [Deep Search](#) | [Upload](#)

manuals.plus /

› [vidaXL](#) /

› [vidaXL Modern Black Oak Sideboard Storage Unit Instruction Manual](#)

**vidaXL 862044**

# vidaXL Modern Black Oak Sideboard Storage Unit Instruction Manual

Model: 862044

## INTRODUCTION

Thank you for purchasing the vidaXL Modern Black Oak Sideboard Storage Unit. This manual provides essential information for the safe assembly, proper use, and effective maintenance of your new furniture. Please read these instructions carefully before beginning assembly and retain them for future reference.

This sideboard is designed to offer a stylish and functional storage solution for your living room or dining area. It features a sleek black oak finish, ample storage compartments, and sturdy construction from engineered wood and eucalyptus legs.

## Safety Information

- Always assemble the product on a clean, soft surface to prevent scratches.
- Ensure all parts are present and undamaged before assembly.
- Do not overtighten screws, as this may damage the material.
- Keep small parts away from children during assembly.
- For stability, ensure the unit is placed on a level surface.
- If wall anchoring hardware is provided, it is highly recommended to secure the unit to a wall to prevent tipping.

## SETUP AND ASSEMBLY

Assembly of this sideboard is required. Please follow the steps below carefully. It is recommended to have two people for assembly.

### Tools Required (Not Included)

- Phillips head screwdriver
- Hammer (for back panel nails)

## Parts List

Please verify that all components and hardware are present before starting assembly. Refer to the included assembly diagram for specific part identification.

## Assembly Steps

1. **Unpack and Identify:** Carefully unpack all components and lay them out on a soft, clean surface. Identify each part using the provided assembly diagram.
2. **Attach Legs:** Secure the eucalyptus legs to the bottom panel of the sideboard using the provided screws. Ensure they are firmly attached and oriented correctly.
3. **Assemble Side Panels:** Connect the side panels to the bottom panel using the appropriate hardware (dowels, cam locks, and cam studs).
4. **Install Internal Dividers and Shelves:** Insert any internal dividers and shelves into their designated slots or attach them with the specified hardware.
5. **Attach Top Panel:** Secure the top panel to the assembled structure.
6. **Install Drawer Slides:** Attach the drawer slides to the internal panels as indicated in the instructions.
7. **Assemble Drawers:** Construct the drawers and install them onto the slides.
8. **Attach Door Hinges:** Mount the hinges to the doors and then attach the doors to the sideboard frame. Adjust hinges for proper door alignment.
9. **Install Back Panel:** Carefully align and attach the back panel using the small nails provided. Ensure the unit is square before securing the back panel.
10. **Final Check:** Ensure all screws and fasteners are tightened. Do not overtighten.

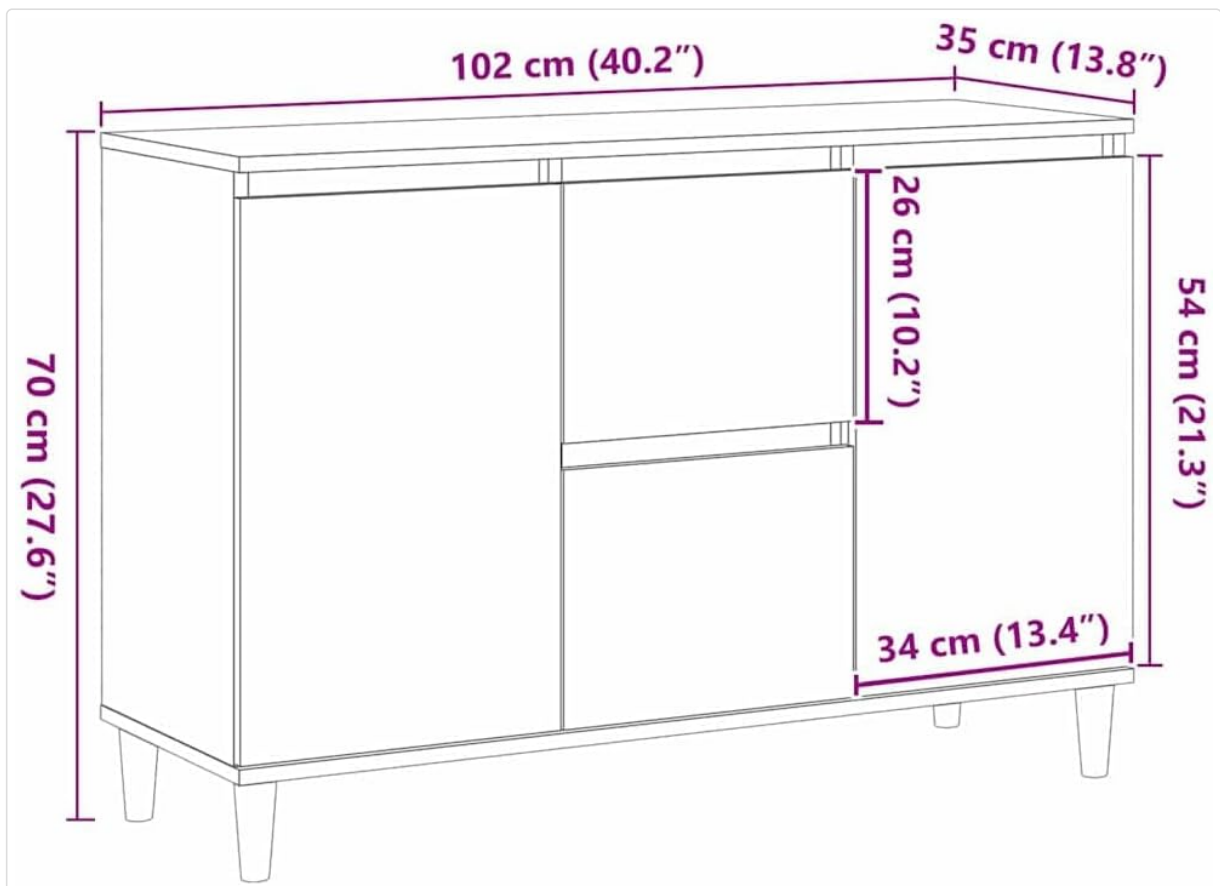


Image: Dimensional diagram of the sideboard, showing overall measurements of 102 cm (40.2 inches) width, 35 cm (13.8 inches) depth, and 70 cm (27.6 inches) height. Internal compartment heights are also indicated.



Image: Close-up view of a metal door hinge, illustrating the mechanism for opening and closing the sideboard doors. This detail is important for assembly and potential adjustments.

## OPERATING INSTRUCTIONS

---

Your vidaXL Modern Black Oak Sideboard is designed for general household storage. Follow these guidelines for optimal use:

- **Storage:** Utilize the four compartments and two drawers for organizing various items such as dinnerware, linens, books, or other household goods.
- **Doors and Drawers:** Open and close the doors and drawers gently to prevent wear and tear on hinges and slides. Avoid slamming them shut.
- **Weight Distribution:** Distribute weight evenly across shelves and within drawers. Avoid placing excessively heavy items on any single shelf or compartment to prevent bowing or damage.
- **Top Surface:** The top surface can be used for decorative items, lamps, or serving dishes. Be mindful of hot items or liquids that could damage the finish.



Image: The interior of the sideboard with both hinged doors open and the two central drawers pulled out. This view demonstrates the storage capacity and layout of the four compartments and two drawers.

## MAINTENANCE AND CARE

Proper care will extend the life and appearance of your sideboard:

- **Cleaning:** Wipe surfaces with a soft, damp cloth. Avoid using harsh chemicals, abrasive cleaners, or polishes that may damage the black oak finish.
- **Spills:** Clean up spills immediately with a dry cloth to prevent moisture damage to the engineered wood.
- **Sunlight:** Avoid prolonged exposure to direct sunlight, which can cause fading or discoloration of the finish.
- **Heat:** Do not place hot items directly on the surface. Use coasters or protective pads.
- **Hardware:** Periodically check all screws and fasteners to ensure they are tight. Re-tighten if necessary, but do not overtighten.

## TROUBLESHOOTING

If you encounter any issues with your sideboard, refer to the following common problems and solutions:

Problem	Possible Cause	Solution
Sideboard is wobbly or unstable.	Loose fasteners; uneven floor.	Check and tighten all screws and bolts. Ensure the unit is on a level surface; use shims if necessary.

Problem	Possible Cause	Solution
Doors do not align or close properly.	Hinges are not adjusted correctly; unit is not square.	Adjust the door hinges using a screwdriver (refer to hinge adjustment instructions if available). Ensure the sideboard frame is square during assembly.
Drawers stick or do not slide smoothly.	Drawer slides are misaligned or damaged; drawer not assembled correctly.	Check that drawer slides are properly installed and aligned. Ensure the drawer box is assembled squarely. Lubricate slides with a silicone-based spray if needed.
Missing parts upon arrival.	Packaging error.	Contact vidaXL customer support immediately with your purchase details and a list of missing parts.

## PRODUCT SPECIFICATIONS

<b>Brand</b>	vidaXL
<b>Model Number</b>	862044
<b>Material</b>	Engineered Wood, Eucalyptus Legs
<b>Color</b>	Black Oak
<b>Overall Dimensions (W x D x H)</b>	102 cm x 35 cm x 70 cm (40.2 in x 13.8 in x 27.6 in)
<b>Item Weight</b>	27.55 kg (60.6 lbs)
<b>Number of Pieces</b>	1
<b>Assembly Required</b>	Yes
<b>Room Type</b>	Dining Room, Living Room
<b>Style</b>	Modern

## WARRANTY AND SUPPORT

vidaXL is committed to providing quality products. For any questions, concerns, or issues regarding your product, please contact vidaXL customer support.

- **Returns:** This product is eligible for 30-day easy returns. Please refer to your purchase platform's return policy for detailed instructions.
- **Customer Support:** For assistance, please visit the official vidaXL store or contact their customer service department. You can often find contact information on the retailer's website or on the vidaXL brand store page: [vidaXL Store on Amazon](#).

