



[Manuals.plus](#) /

> [HOMCOM](#) /

> HOMCOM Bamboo Shoe Bench User Manual

HOMCOM 837-539V00BK

HOMCOM Bamboo Shoe Bench User Manual

Model: 837-539V00BK

Brand: HOMCOM

PRODUCT OVERVIEW

The HOMCOM Bamboo Shoe Bench is a 3-tier entryway bench designed for storage and comfortable seating. It features a cushioned top and two lower shelves for organizing footwear.



Image: The HOMCOM Bamboo Shoe Bench, featuring a black bamboo frame, a grey linen-feel cushion, and two slatted shelves for shoe storage. Several pairs of shoes are displayed on the shelves.

Key Features:

- **Comfortable Seating:** Equipped with a 1.6" thick cushion upholstered in linen-feel fabric for enhanced sitting comfort.
- **Efficient Storage:** Two-tier shoe rack capable of storing up to six pairs of shoes (maximum US size 11). Slatted shelves promote ventilation.
- **Durable Construction:** Constructed from robust bamboo with a smoothly painted surface, ensuring stability and supporting up to 331 lbs in total.
- **Design:** Simple and bright aesthetic with a natural bamboo frame and gray cushion, suitable for entryway environments.

THICK SEAT CUSHION

Offer outstanding sitting comfort



Linen-Feel Fabric



Thick Foam

4 cm

Image: A detailed view of the bench's thick seat cushion, showing the texture of the linen-feel fabric and indicating a foam thickness of 4 cm (approximately 1.6 inches) for comfort.

100% Bamboo

Provide stable and strong support



Image: An illustration emphasizing that the bench is made from 100% bamboo, signifying its stable and strong construction material.

PACKAGE CONTENTS

Upon opening the package, verify that all components are present and undamaged. Refer to the assembly instructions provided in the box for a complete list of parts.



Image: A brown cardboard box with the HOMCOM logo, accompanied by text indicating "1x PACKAGE", representing the product's shipping carton.

SETUP AND ASSEMBLY

Assembly of the HOMCOM Bamboo Shoe Bench is required. Please follow the detailed instructions included in your product packaging. Ensure all parts are accounted for before beginning assembly.

General Assembly Steps:

1. Unpack all components and lay them out on a clean, soft surface to prevent scratches.
2. Identify all hardware (screws, bolts, etc.) and structural pieces (legs, shelves, top frame).
3. Attach the side frames/legs to the main support beams as per the instruction manual.
4. Secure the two-tier slatted shelves into the designated slots or with the provided hardware.
5. Place the cushioned top onto the assembled frame and secure it.
6. Tighten all fasteners securely, but do not overtighten.
7. Verify the bench is stable and level before use.

Note: It is recommended to have a second person assist during assembly for stability and ease.

OPERATING INSTRUCTIONS

The HOMCOM Bamboo Shoe Bench is designed for dual functionality: seating and shoe storage.

Using the Bench for Seating:

- The top cushion provides a comfortable surface for sitting.
- Ensure the bench is placed on a flat, stable surface before sitting.
- The maximum weight capacity for the seat is 287 lbs. Do not exceed this limit.

Using the Shoe Storage Shelves:

- Utilize the two lower slatted shelves to store up to six pairs of shoes.
- The slatted design allows for air circulation, which can help with ventilation and deodorization of footwear.
- The shelves are suitable for shoes up to US size 11. Taller footwear like boots may not fit due to shelf spacing.
- The maximum weight capacity for each shelf is 22 lbs.



2-TIER SHOE STORAGE

Store up to 6 pairs of shoes

Image: The shoe bench positioned in an entryway, demonstrating its capacity to store multiple pairs of shoes on its two tiers, contributing to an organized space.



Image: The shoe bench integrated into a modern entryway setting, showcasing its functional and aesthetic contribution to the space, alongside a potted plant and framed wall art.

MAINTENANCE AND CARE

Proper maintenance ensures the longevity and appearance of your HOMCOM Bamboo Shoe Bench.

- **Cleaning the Frame:** Wipe the bamboo frame with a dry cloth to remove dust and dirt. Avoid abrasive cleaners or harsh chemicals that may damage the finish.
- **Cushion Care:** Spot clean the linen-feel fabric cushion with a mild detergent and damp cloth if necessary. Allow to air dry completely. Do not machine wash or tumble dry the cushion.
- **Regular Inspection:** Periodically check all screws and fasteners to ensure they remain tight. Retighten if any looseness is detected.
- **Environment:** Keep the bench in a dry environment. Avoid prolonged exposure to direct sunlight or excessive moisture, which can affect the bamboo.

TROUBLESHOOTING

This section addresses common issues you might encounter with your shoe bench.

Issue: Bench feels wobbly after assembly.

- **Solution:** Ensure all screws and bolts are fully tightened. Check that the bench is placed on a level surface. If the floor is uneven, consider using furniture pads or shims under the legs.

Issue: Shoes do not fit on the shelves.

- **Solution:** The shelves are designed for standard shoes up to US size 11. Taller items like boots may not fit due to the fixed shelf height. Consider storing such items elsewhere or placing them on the top cushion when not in use.

Issue: Scratches on the floor.

- **Solution:** The product does not include stoppers under the legs. To prevent scratching delicate floor surfaces, attach felt pads or rubber protectors to the bottom of each leg.

SPECIFICATIONS

Product Dimensions	23.6" W x 11.4" D x 19.3" H (59.9 cm W x 28.9 cm D x 49 cm H)
Color	Black frame, Gray cushion
Furniture Finish	Bamboo
Seat Height	19.3 Inches (49 cm)
Maximum Weight Recommendation (Total)	331 Pounds (150 kg)
Seat Weight Capacity	287 Pounds (130 kg)
Shelf Weight Capacity (each)	22 Pounds (10 kg)
Seating Capacity	1 person
Item Weight	8.8 Pounds (4 kg)
Model Number	837-539V00BK
UPC	196393323311
Manufacturer	Aosom LLC

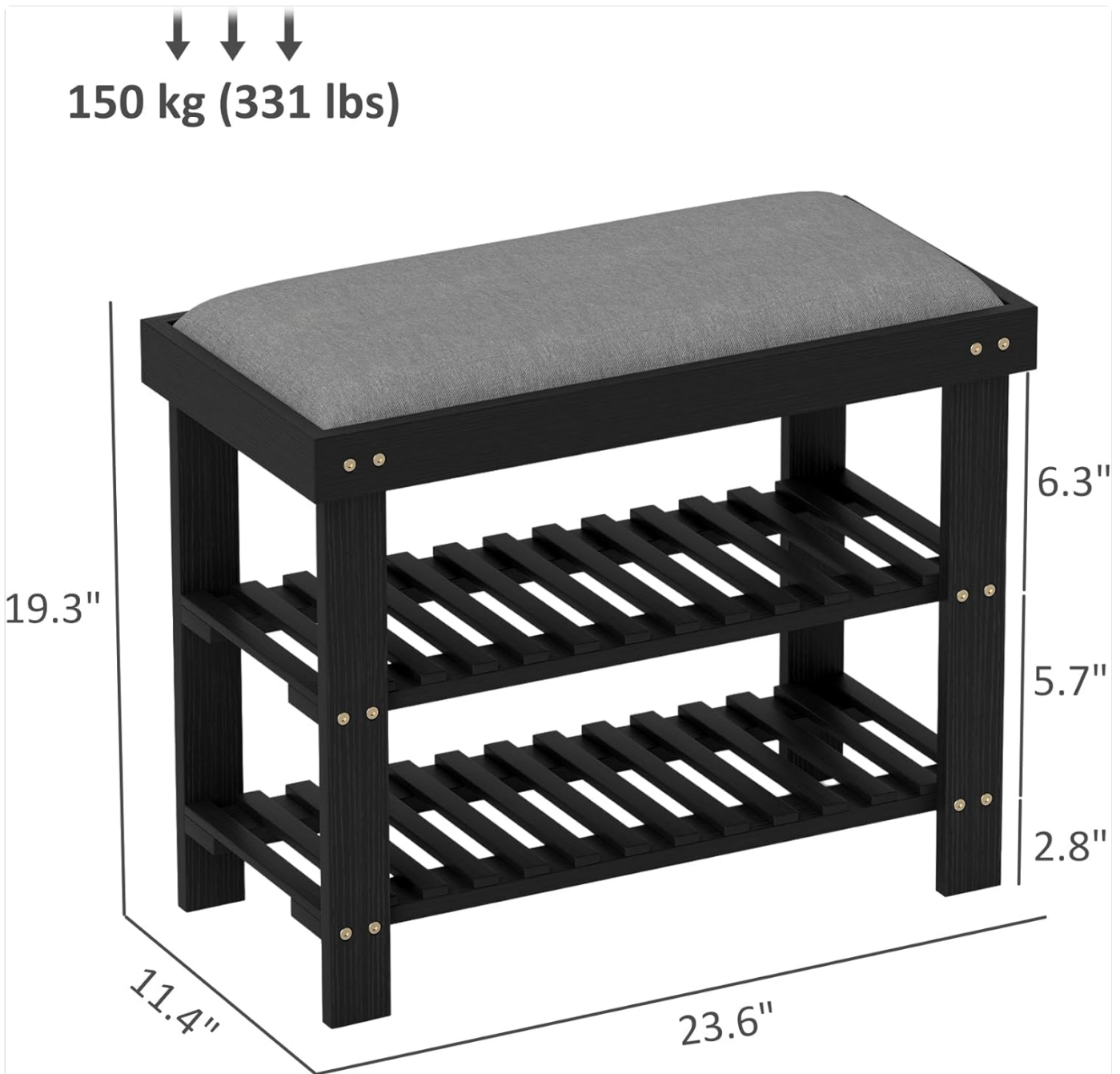


Image: A diagram illustrating the key dimensions of the shoe bench, including its width (23.6"), depth (11.4"), and height (19.3"), along with its total weight capacity of 150 kg (331 lbs).

WARRANTY AND SUPPORT

For warranty information or product support, please refer to the documentation included with your purchase or contact the manufacturer directly.

Manufacturer: Aosom LLC

For further assistance, visit the HOMCOM store on Amazon: [HOMCOM Store](#)

