

PURPLE LEAF 13' x 15'

PURPLE LEAF Louvered Pergola with Lights

MODEL: 13' x 15'

Brand: PURPLE LEAF

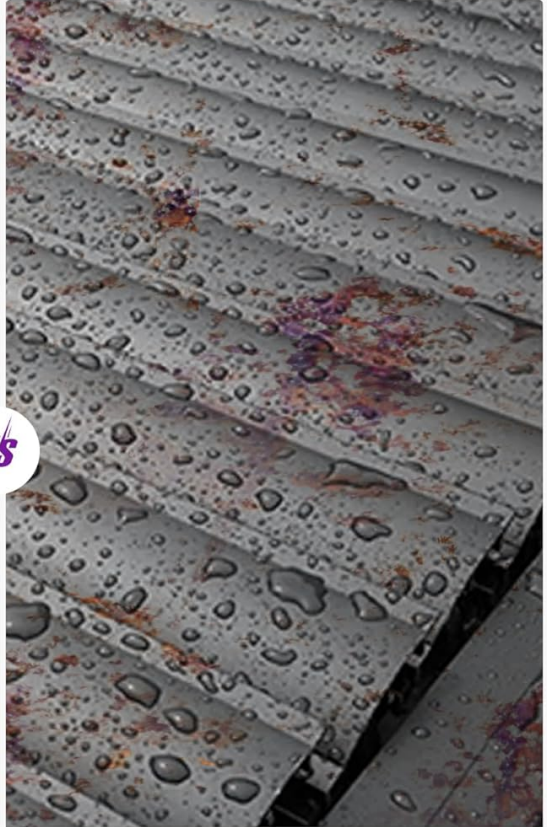
1. Introduction

This manual provides essential information for the safe assembly, operation, and maintenance of your PURPLE LEAF 13' x 15' Louvered Pergola. Please read all instructions carefully before beginning assembly and retain this manual for future reference. This pergola features an aluminum louvered roof with integrated lighting, an efficient drainage system, and a robust frame designed for outdoor use.

2. Product Features

- **Aluminum Louvered Roof:** Engineered with thick, reinforced aluminum louvers, this pergola supports snow loads up to 8.2 psf. The louvers rotate from 0° to 85° to adjust shade and airflow.
- **Efficient Drainage System:** Rainwater is channeled through integrated gutters and down four posts, preventing puddles.
- **Strong All-Aluminum Frame:** Crafted with a high-strength, powder-coated structure, resistant to rust and corrosion. Engineered to withstand winds up to 70 mph.
- **Reinforced 4.53" Support Poles:** Oversized aluminum poles provide superior strength and structural balance for year-round durability.
- **Integrated Lighting:** The pergola includes integrated lighting for enhanced evening ambiance.

Extended Longevity



PURPLE LEAF

All-Aluminum Louvers

Built for lasting durability,
rust-free performance.

OTHERS

Steel Louvers

May rust within 1 year
and have lower weight capacity.

Image: All-aluminum louvers provide lasting durability and rust-free performance compared to steel alternatives.

High Wind-Resistant Design

Withstands winds up to **70 mph**
when properly installed



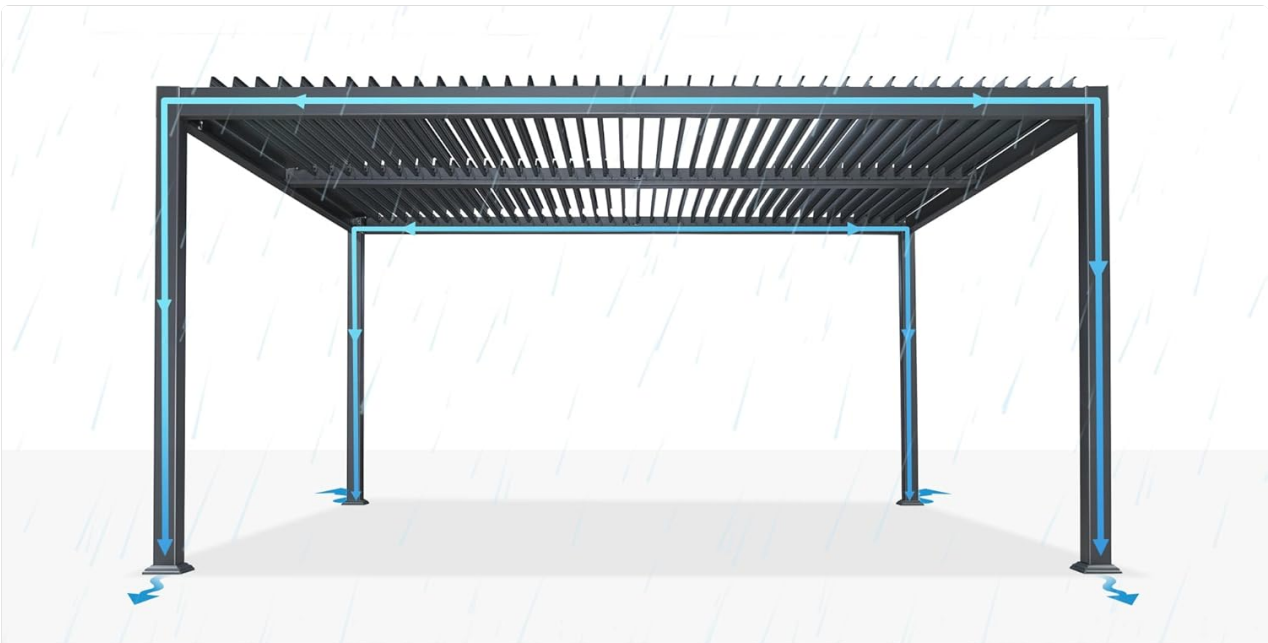
Image: High wind-resistant design, capable of withstanding winds up to 70 mph when properly installed.

Two Independent Adjustable Roofs

Reliable protection, customizable for any weather.



Image: The pergola features two independent adjustable roofs for versatile protection and comfort.



Efficient Drainage System

Rainwater flows through pipes, preventing pooling and protecting your space.



Rain-collecting



Water-guiding



Drain out

Image: Efficient drainage system prevents water pooling by guiding rainwater through internal channels.

3. Setup and Installation

Assembly of the PURPLE LEAF Louvered Pergola is required. For optimal drainage and to avoid water buildup, ensure your pergola is installed on a level surface. Follow the detailed instructions provided in the separate assembly guide included with your product packaging.

4.53" x 4.53" Upgraded Pole

Withstands **70 mph** winds and **2.4 inches** of snow with ease.



ANDERE

2.5 " x 2.5 "



PURPLE LEAF

4.53 " x 4.53 "



ANDERE

3 " x 3 "

Image: The reinforced 4.53" x 4.53" support poles provide enhanced stability.

Your browser does not support the video tag.

Video: This video demonstrates the installation process of the PURPLE LEAF Louvered Pergola, including assembly of components and setting up the structure.

4. Operating Instructions

4.1. Adjusting Louvers

The louvered roof can be adjusted to control sunlight and airflow. Use the integrated crank system to rotate the louvers from 0° (fully closed) to 85° (fully open). This allows you to create shade or let in full sun as desired.

Your browser does not support the video tag.

Video: This video illustrates the adjustment of the pergola's louvers, demonstrating how to open and close them to manage shade and light.

4.2. Integrated Drainage System

When the louvers are closed, the integrated drainage system collects rainwater and channels it through internal gutters and down the support posts. This keeps the area beneath the pergola dry.

4.3. Integrated Lights

Your pergola includes integrated lights. Refer to the specific lighting instructions in your assembly guide for details on power connection and operation.

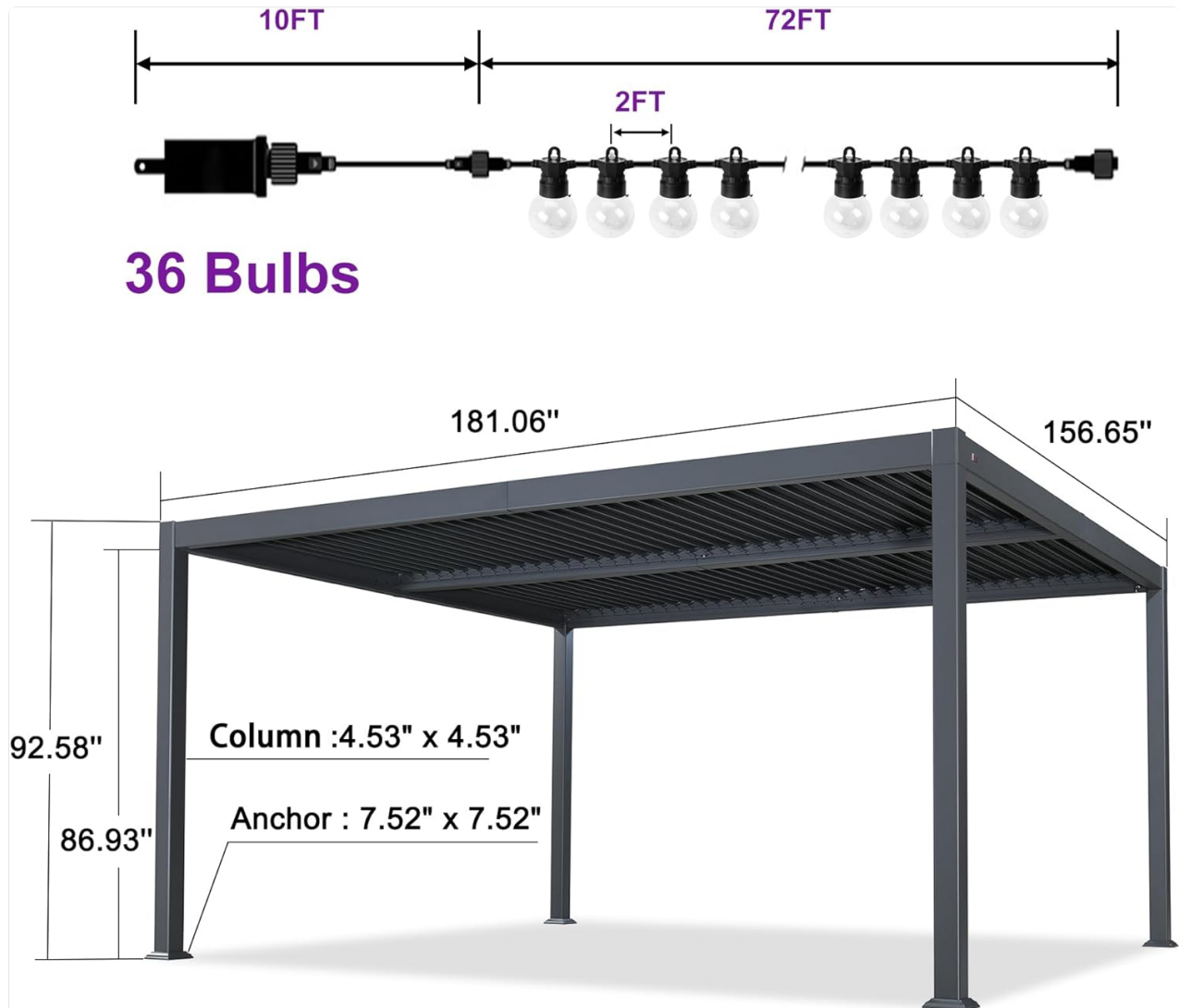


Image: Pergola dimensions and an example of integrated string lights.

5. Maintenance

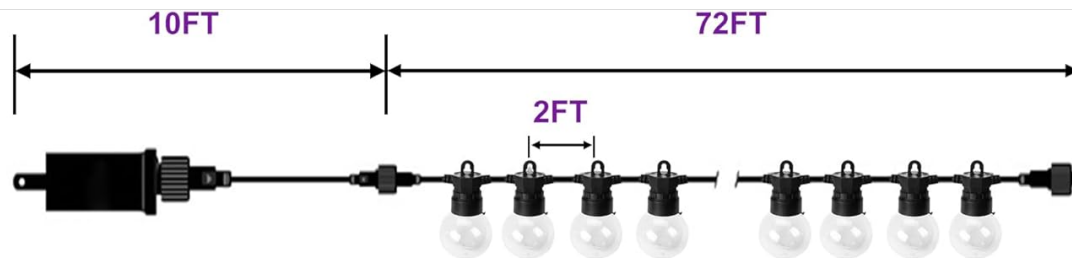
- **Cleaning:** Regularly clean the aluminum frame and louvers with mild soap and water. Avoid abrasive cleaners or harsh chemicals that could damage the finish.
- **Drainage System:** Periodically inspect the integrated gutters and downspouts for debris (leaves, dirt) and clear any blockages to ensure efficient water flow.
- **Hardware:** Check all bolts and fasteners periodically to ensure they are tight. Re-tighten as necessary.
- **Winter Care:** While designed for snow loads, it is recommended to clear heavy snow accumulation from the louvers to prevent excessive stress.

6. Troubleshooting

- **Louvers not operating smoothly:** Check for any obstructions in the louver mechanism. Ensure the crank system is properly engaged and free of debris.
- **Water pooling on roof:** Verify that the pergola is installed on a level surface. Inspect the drainage system for blockages and clear any debris.
- **Pergola instability:** Ensure all anchor points are securely fastened to the ground or patio surface. Check all frame connections for tightness.

7. Specifications

Brand	PURPLE LEAF
Material	Aluminum
Style	Modern
Product Dimensions (L x W x H)	181.06"L x 156.65"W x 86.93"H
Frame Material	Aluminum
Water Resistance Level	Waterproof
Shape	Rectangular
Ultraviolet Light Protection	UPF 50+
Assembly Required	Yes
Color	Grey Frame with Lights



36 Bulbs

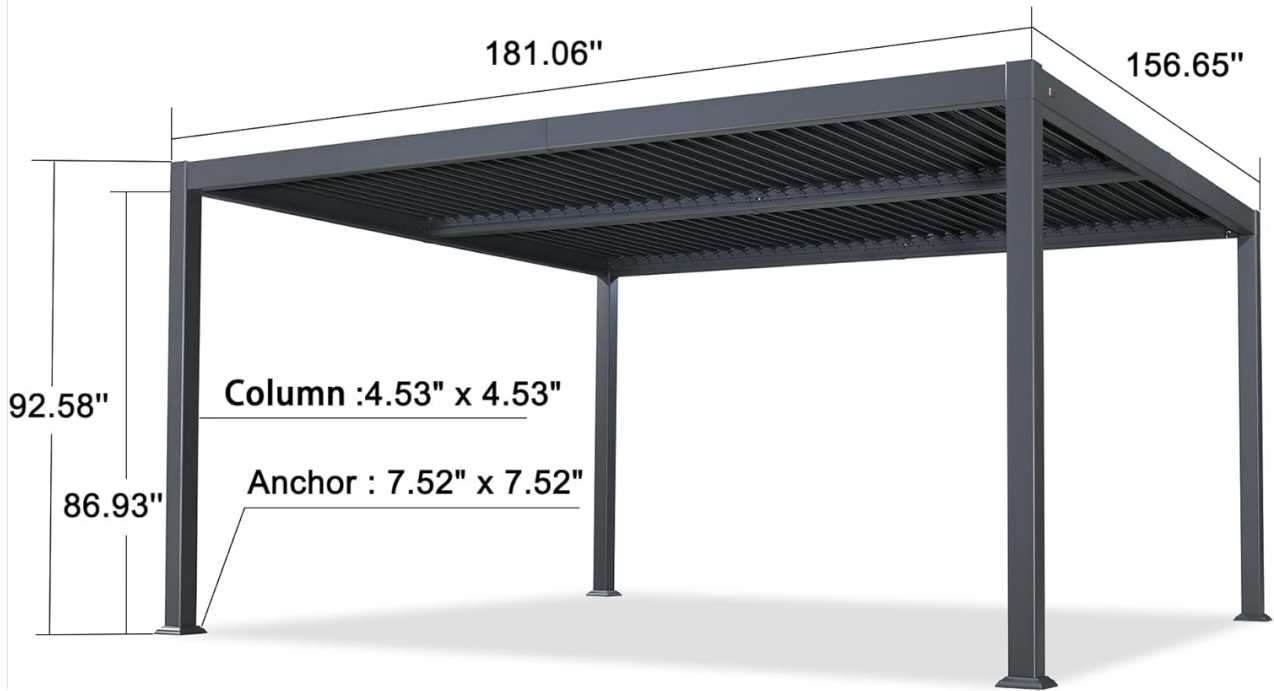


Image: Detailed product dimensions for planning and installation.

8. Warranty and Support

This PURPLE LEAF Louvered Pergola includes a **1-year frame warranty**. For warranty claims, technical assistance, or replacement parts, please contact PURPLE LEAF customer support. Refer to your purchase documentation for specific contact details.