

[Manuals.plus](#) /

> [Feandrea](#) /

> Feandrea Multi-Level Cat Tree PCT007G01 Instruction Manual

## Feandrea PCT007G01

# Feandrea Multi-Level Cat Tree Instruction Manual

Model: PCT007G01 | Brand: Feandrea

## INTRODUCTION

This manual provides detailed instructions for the assembly, operation, and maintenance of your Feandrea Multi-Level Cat Tree, model PCT007G01. Designed to offer a stimulating and comfortable environment for your cats, this cat tree features multiple platforms, scratching posts, two large nests, and a hammock. Please read these instructions carefully before assembly and use to ensure safe and correct installation.





Image: The Feandrea Multi-Level Cat Tree PCT007G01, fully assembled, featuring multiple platforms, scratching posts, and two enclosed nests. Three cats are shown interacting with the structure.

## SAFETY INSTRUCTIONS

- Ensure all screws and bolts are tightened securely during assembly. Periodically check for loose connections and tighten as needed.
- Always use the provided anti-tipping device to secure the cat tree to a wall. This prevents accidental tipping, especially with active or multiple cats.
- Place the cat tree on a flat, stable surface to maximize stability.
- Keep small children away from the cat tree during assembly to prevent injury from small parts.
- Do not allow children to climb on the cat tree. It is designed for feline use only.
- Inspect the cat tree regularly for any damage, such as frayed sisal ropes or loose components. Replace or repair damaged parts immediately to ensure safety.
- Keep the product away from open flames or heat sources.

## Stable et sûr

Offre un environnement sécurisé pour vos animaux et votre famille



**Dispositif anti-basculement**

Pour une sécurité accrue



**Base large**

Pour plus de stabilité

Image: A close-up view of the anti-tipping device, showing how it secures the cat tree to a wall for enhanced stability and safety.

## PACKAGE CONTENTS

Before beginning assembly, verify that all components listed below are present and undamaged. Refer to the assembly diagram for visual identification of parts.

## Pièces numérotées et instructions claires pour un montage facile

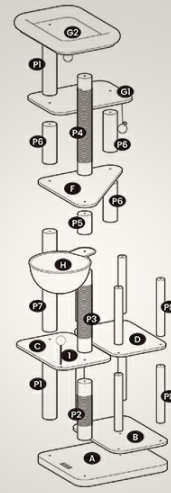


Image: An exploded diagram showing all numbered components and hardware required for assembling the cat tree, alongside a cat inspecting the parts.

### Components Included:

- Base Plate (A)
- Platforms (B, C, D, F, G1)
- Nests/Caves (E, G2)
- Hammock (H)
- Scratching Posts (P1-P8)
- Connecting Rods/Supports
- Screws and Allen Key
- 3 Plush Balls (2 suspended, 1 spring-mounted)
- Anti-tipping device
- Assembly Instructions

### SETUP AND ASSEMBLY

Follow the numbered steps and refer to the assembly diagram for a smooth installation process. It is recommended to assemble the cat tree on a soft, clean surface to prevent damage to components.

1. **Step 1: Base Assembly.** Attach the lowest scratching posts (P1) to the base plate (A) using the provided screws.
2. **Step 2: First Level Platforms.** Secure platforms (B, C, D) to the top of the P1 posts.
3. **Step 3: Nests and Hammock.** Assemble the two large nests (E, G2) and the hammock (H) according to the diagram, attaching them to the appropriate posts and platforms.
4. **Step 4: Upper Levels.** Continue building upwards, attaching the remaining scratching posts (P2-P8) and platforms (F, G1) in sequence.
5. **Step 5: Attach Toys.** Secure the suspended plush balls and the spring-mounted ball to their designated locations.
6. **Step 6: Final Tightening and Safety Check.** Once fully assembled, ensure all screws are tight. Attach the anti-tipping device to a sturdy wall stud using appropriate hardware (not always included, depending on wall type) to prevent the cat tree from falling over.

## OPERATING INSTRUCTIONS (USAGE)

---

The Feandrea Cat Tree PCT007G01 is designed to provide multiple activities and resting spots for your feline companions.

- **Climbing and Exploration:** The multi-level design with stair-like platforms encourages natural climbing instincts. Both kittens and older cats can easily navigate the structure.
- **Resting and Hiding:** Two large, enclosed nests offer secure and cozy spaces for napping or hiding. The top platform provides an elevated vantage point for observation.
- **Scratching:** Three sisal-wrapped scratching posts allow cats to sharpen their claws, helping to protect your furniture.
- **Play:** The included three plush balls (two suspended, one spring-mounted) provide interactive play opportunities, stimulating your cat's hunting instincts.
- **Relaxation:** The soft hammock offers an additional comfortable spot for relaxation.



## Double niche pour plusieurs chats

En haut pour les grimpeurs expérimentés, en bas  
pour un accès facile à votre compagnon à fourrure

Image: Two cats comfortably resting inside the double-level nests of the cat tree, demonstrating the cozy hiding spots.

# Multifonction

Répond aux différents besoins de vos chats

## Observer

2 plateformes supérieures pour regarder par la fenêtre

## Jouer

2 balles en peluche suspendues et une balle en peluche sur ressort pour encore plus d'amusement

## Grimper

Les niveaux disposés en escalier permettent de monter et descendre facilement

## Faire ses griffes

3 poteaux à griffer pour aiguiser les griffes

## Dormir

2 niches pour faire la sieste toute la journée

## Se détendre

Un hamac douillet pour profiter de moments de détente



Image: An overview of the cat tree highlighting its multi-functional design, including platforms for observing, toys for playing, posts for scratching, and nests for sleeping.

## MAINTENANCE

Regular maintenance will extend the life of your cat tree and keep it hygienic for your pets.

- **Cleaning:** The plush surfaces can be easily cleaned with a lint roller to remove loose fur and debris. For deeper

cleaning, use a handheld vacuum cleaner. Spot clean any soiled areas with a mild pet-safe cleaner and a damp cloth, then allow to air dry completely.

- **Inspection:** Periodically check all connections for tightness. Re-tighten any loose screws to maintain stability. Inspect sisal scratching posts for excessive wear and tear; replace if necessary.
- **Storage:** Store the cat tree in a dry environment to prevent material degradation.

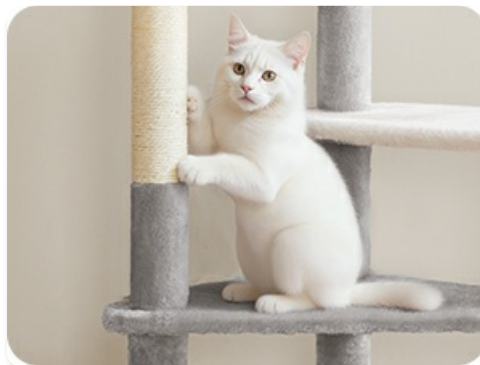


Image: A handheld vacuum cleaner being used to clean the plush surface of the cat tree, illustrating the ease of maintenance.

## TROUBLESHOOTING

If you encounter any issues with your Feandrea Cat Tree, refer to the following common problems and solutions:

- **Issue: The cat tree feels wobbly.**  
**Solution:** Ensure all screws are fully tightened. Verify that the anti-tipping device is correctly installed and secured to a wall. Place the cat tree on a level surface.
- **Issue: Cats are not using the scratching posts.**  
**Solution:** Try spraying the sisal posts with catnip spray to attract your cats. Demonstrate scratching by gently guiding your cat's paws on the post.
- **Issue: Missing parts during assembly.**  
**Solution:** Double-check the package contents against the provided list and diagram. If parts are genuinely missing, contact Feandrea customer support for assistance.
- **Issue: Plush fabric is shedding excessively.**  
**Solution:** This can be normal for new products. Use a lint roller or vacuum cleaner to remove loose fibers. If shedding persists or is severe, contact customer support.

## SPECIFICATIONS

Feature	Detail
Model Number	PCT007G01
Brand	Feandrea

Feature	Detail
Material	Particle board, plush, sisal
Color	Dove Grey
Overall Dimensions (approx.)	Length: Max 79 cm, Width: Max 82 cm, Height: 152 cm
Weight	15.7 Kilograms
Number of Levels	3
Recommended Pet Type	Cats (Small to Medium Breeds)
Special Features	2 large caves, 1 hammock, 3 scratching posts, 3 platforms, 3 plush balls
Mounting Type	Floor-standing with anti-tipping device
Care Instructions	Easy cleaning with lint roller or vacuum. Store in a dry place.

# Poids idéal du chat : Jusqu'à 8 kg

## Nombre idéal de chats : Jusqu'à 6 chats

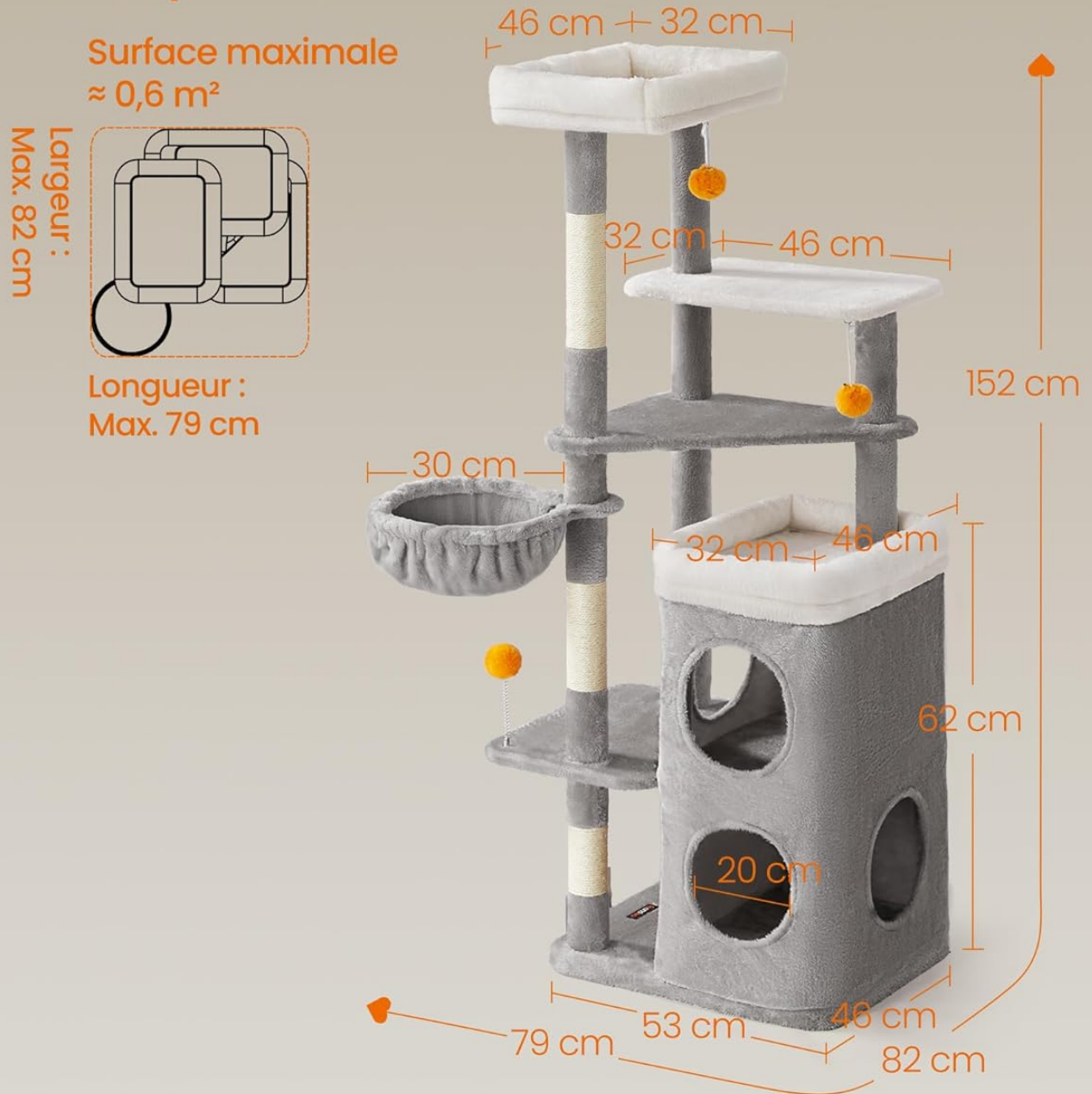


Image: A diagram illustrating the precise dimensions of the cat tree, including height, width, and depth of various components.

## WARRANTY AND SUPPORT

Feandrea products are designed for quality and durability. For warranty information or technical support, please refer to the contact details provided with your purchase or visit the official Feandrea website. Keep your purchase receipt as proof of purchase for any warranty claims.

