

[Manuals.plus](#) /

> [KKT KOLBE](#) /

> KKT KOLBE ECCO6005SM 60 cm Black Inclined Kitchen Hood User Manual

KKT KOLBE ECCO6005SM

KKT KOLBE ECCO6005SM 60 cm Black Inclined Kitchen Hood

USER MANUAL

Introduction

This manual provides detailed instructions for the safe and efficient use, installation, and maintenance of your KKT KOLBE ECCO6005SM 60 cm Black Inclined Kitchen Hood. Please read this manual thoroughly before operating the appliance and keep it for future reference.



Image: KKT KOLBE ECCO6005SM in a modern kitchen setting.

Safety Information

Always follow basic safety precautions when using electrical appliances. Ensure the appliance is properly grounded. Do not allow children to operate the hood. Disconnect power before cleaning or maintenance. Ensure adequate ventilation in the room when the range hood is used simultaneously with appliances burning gas or other fuels.

- **Electrical Safety:** Ensure the power supply matches the rating label. Do not use extension cords.
- **Installation:** Install the hood according to the specified minimum distance from the hob.
- **Fire Hazard:** Do not flambé under the range hood. Clean grease filters regularly to prevent grease accumulation.

- **Maintenance:** Only qualified personnel should perform repairs.

Setup and Installation

The KKT KOLBE ECCO6005SM is designed for wall-mounted installation. It can operate in either exhaust air mode or recirculation mode. For recirculation mode, activated carbon filters are required (included). Refer to the provided dimensions for proper placement and ensure all mounting hardware is securely fastened.

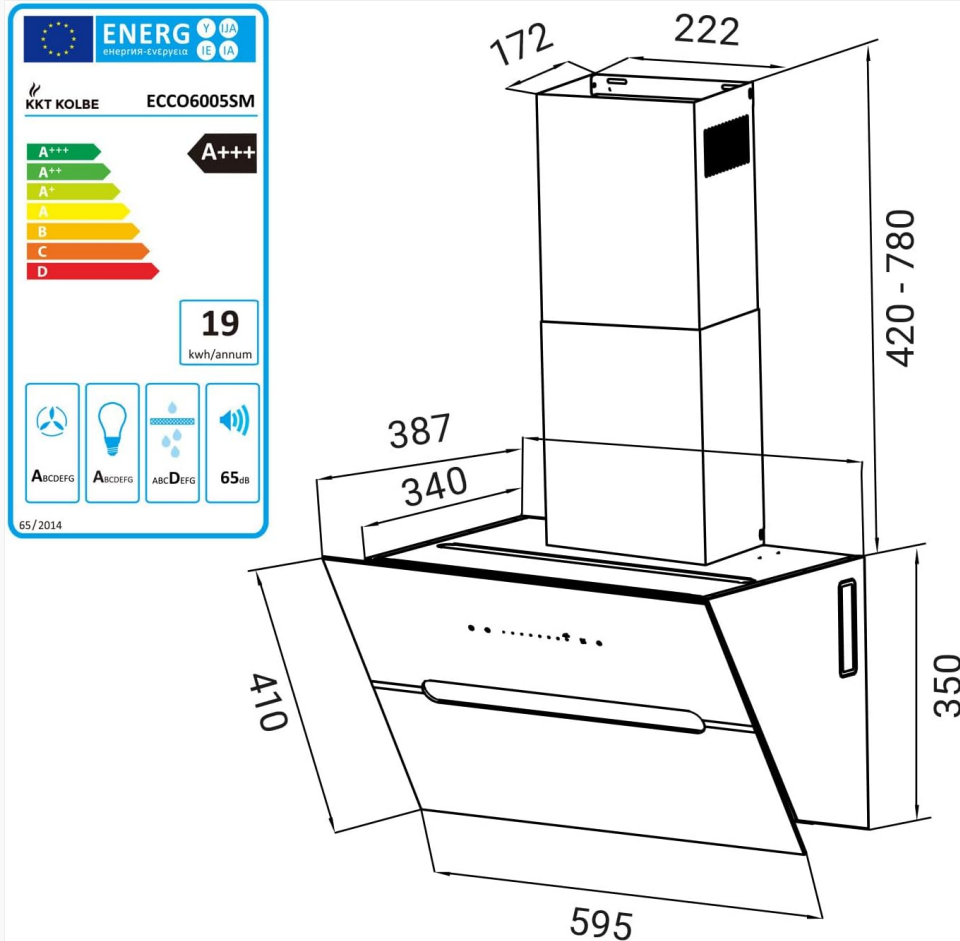


Image: Dimensional diagram for installation.



Ambiente-Beleuchtung

Lassen Sie Ihre Küche in Ihren Lieblingsfarben erstrahlen



Image: Example of installed range hood.

Operating Instructions

The range hood features intuitive touch controls and can also be managed via a smart app. It offers 9 speed levels for effective ventilation and includes RGBW LED ambient lighting.

- **Power On/Off:** Use the designated touch button on the control panel to switch the hood on or off.
- **Fan Speed Adjustment:** Adjust the airflow with 9 available speed settings to match your cooking needs.
- **RGBW LED Lighting:** Activate and customize the integrated RGBW LED ambient lighting to enhance your kitchen atmosphere.
- **Smart App Control:** Connect the hood to your home WiFi network to control all functions remotely via the dedicated smartphone application.
- **Auto-Shutdown Function:** Utilize the timer function to automatically switch off the hood after a preset duration, ensuring efficient energy use.

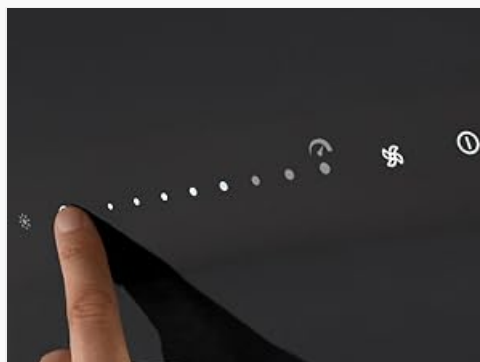


Image: Touch control panel.



Image: Smart App control interface.



Image: RGBW LED ambient lighting.



Image: Auto-shutdown timer function.

Maintenance

Regular cleaning and maintenance ensure optimal performance and longevity of your range hood.

- **Metal Grease Filters:** These filters collect grease particles and should be cleaned regularly (e.g., monthly) in a dishwasher or by hand with warm soapy water. Ensure they are completely dry before re-installing.
- **Activated Carbon Filters (for recirculation mode):** These filters absorb odors and cannot be washed. They must be replaced periodically, typically every 3-6 months depending on usage.
- **Exterior Cleaning:** Clean the glass and stainless steel surfaces with a soft cloth and mild detergent. Avoid

abrasive cleaners.

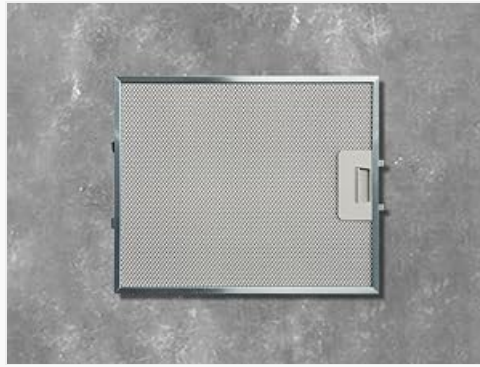


Image: Metal grease filter.



Image: Activated carbon filters.

Troubleshooting

This section addresses common issues you might encounter with your range hood.

- **Low Suction Power:**

- Check if the metal grease filters are clogged and require cleaning.
- If in recirculation mode, check if the activated carbon filters need replacement.
- Ensure the exhaust ducting is clear and correctly installed.
- Verify the fan speed setting is appropriate for the cooking intensity.

- **Excessive Noise:**

- Ensure the hood is securely mounted and all components are properly fastened.
- Check for any obstructions in the fan or ducting.
- Noise levels are generally higher at maximum fan speeds.

- **Lights Not Working:**

- Check the power supply to the hood.
- Verify the LED lighting is switched on via the touch controls or app.
- If individual LEDs are out, contact customer support.



Image: Quiet operation graphic.



Image: Performance indicator.

Technical Specifications

Feature	Specification
Brand	KKT KOLBE
Model Number	ECCO6005SM
Product Dimensions	38.6P x 60l x 75H cm
Color	Black
Airflow Capacity	782 Cubic meters per hour
Noise Level	65 Decibels
Mounting Type	Wall-mounted
Control Type	Touch
Voltage	240 Volts
Number of Speeds	9
Light Source	LED
Electrical Power	129 Watts
Filter Type	Activated carbon filter, metal grease filter
Ventilation Type	Exhaust air or recirculation

Feature	Specification
Material	Glass
Item Weight	11.95 Kilograms
Certifications	CE

Warranty & Support

Your KKT KOLBE ECCO6005SM range hood comes with a **2-year product warranty**. Spare parts are guaranteed to be available for **7 years** within the EU. For technical assistance, repairs, or further inquiries, please contact KKT KOLBE customer support.

Visit the official [KKT KOLBE store](#) for more information and to explore other products.



Image: Quality certifications.