

## FILTA 6 Pack Privacy Door Lever

# FILTA 6 Pack Privacy Door Lever Matte Black Instruction Manual

Model: 6 Pack Privacy Door Lever

## 1. PRODUCT OVERVIEW

---

The FILTA 6 Pack Privacy Door Lever is designed for interior doors requiring a simple locking mechanism, such as bedrooms and bathrooms. These keyless door levers provide privacy without the need for a key, featuring a push-button lock on the interior side and an emergency unlock hole on the exterior. Crafted from durable metal with a matte black finish, these levers offer both functionality and a modern aesthetic.

The design ensures ease of use, particularly for individuals who may find traditional doorknobs challenging. The levers are reversible, accommodating both left- and right-handed door installations.

## 2. PACKAGE CONTENTS

---

Verify that all components are present in your package before beginning installation:

- Lever Set (Interior and Exterior Levers)
- Latch Mechanism
- Strike Plate
- Strike Box
- Screw Bag (various screws for installation)
- Square Bar (Spindle)
- Backup Square Bar (Spare Spindle)
- Installation Instructions

# All Hardwares in the Package

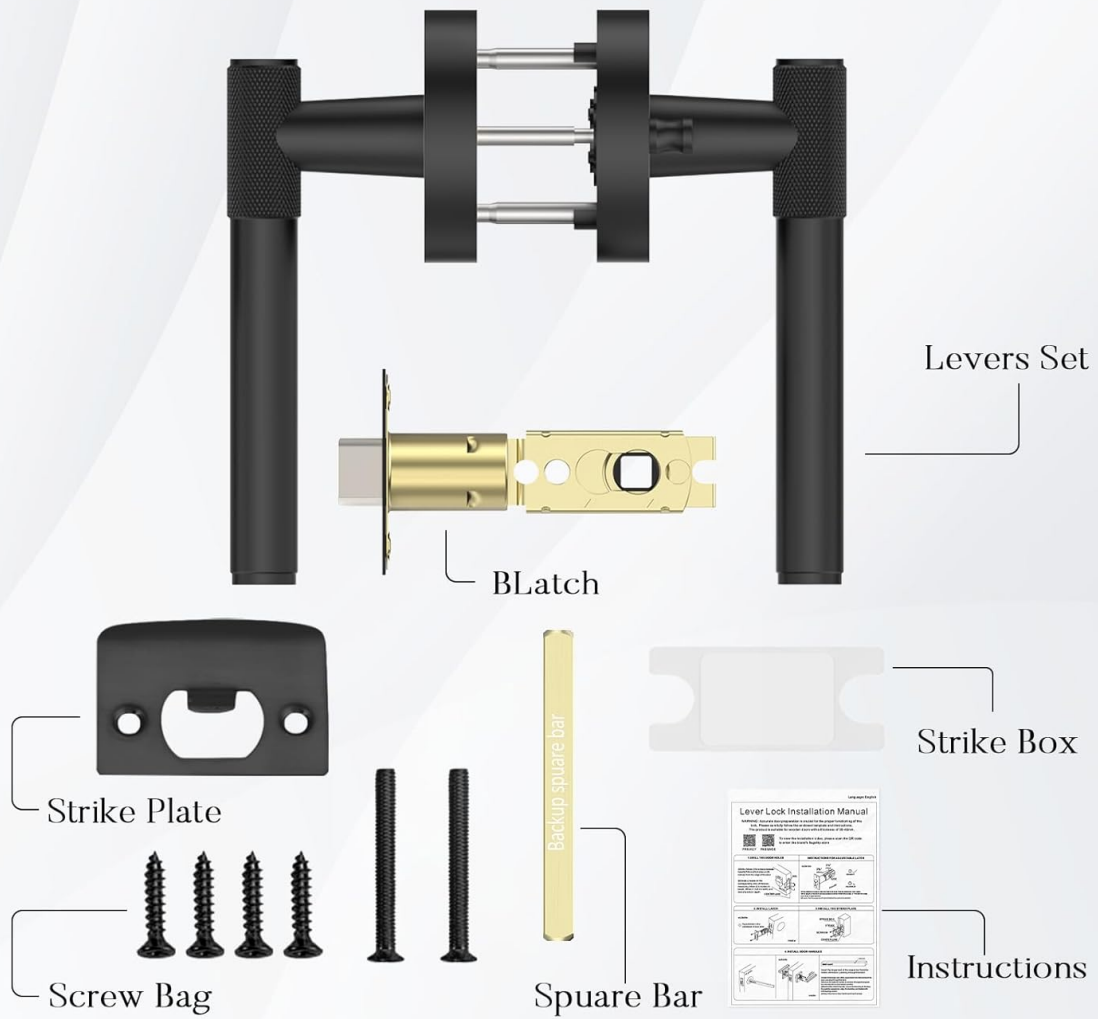
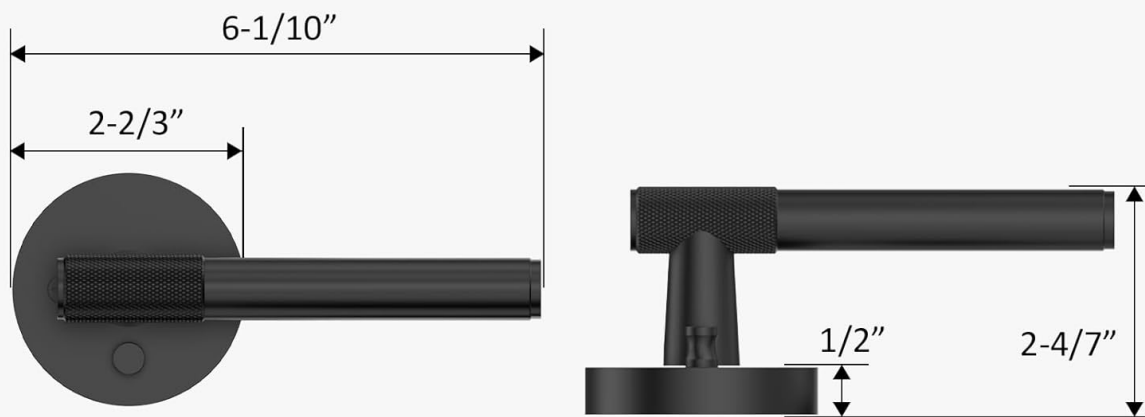


Image: All hardware components included in the FILTA door lever package, laid out clearly with labels for the lever set, latch, strike plate, strike box, screw bag, square bar, backup square bar, and instructions.

### 3. SPECIFICATIONS

Feature	Specification
Material	Metal
Color	Matte Black
Lock Type	Keyless Privacy (Push Button)
Door Thickness Compatibility	1-3/8" (35MM) to 1-3/4" (45MM)
Adjustable Backset Size	2-3/8" (60MM) or 2-3/4" (70MM)
Mounting Plate Dimensions	2-1/2" x 2-1/2"
Hand Orientation	Ambidextrous (Reversible)



## FIT ALL STANDARD DOORS

Adjustable Latch Backset Size  
 2-3/8" (60MM) and 2-3/4" (70MM)



Image: A detailed diagram illustrating the dimensions of the door lever, including the handle length, projection, and the adjustable latch backset sizes of 2-3/8" (60MM) and 2-3/4" (70MM).

## 4. INSTALLATION INSTRUCTIONS

Tools required: Phillips head screwdriver, measuring tape, pencil, drill (optional, for new installations).

1. **Prepare the Door:** If installing on a new door, use the provided template to mark and drill holes for the latch and the main lever assembly. Ensure the holes are correctly sized for the 2-1/8" cross bore and 1" edge bore. For existing doors, remove the old hardware.
2. **Adjust the Latch:** The latch mechanism is adjustable for either a 2-3/8" (60MM) or 2-3/4" (70MM) backset. Adjust the latch by twisting the housing until the desired backset is achieved. Insert the latch into the edge bore of the door, ensuring the bevel of the latch bolt faces the door frame. Secure with screws.
3. **Install the Exterior Lever:** Insert the exterior lever assembly through the cross bore, ensuring the spindle (square bar) passes through the latch mechanism.
4. **Install the Interior Lever:** Place the interior lever assembly over the spindle and align the mounting holes with the exterior assembly. Secure the two assemblies together using the provided mounting screws. Tighten firmly but do not overtighten.

5. **Test Operation:** Before closing the door, test the lever action and the privacy lock function. Ensure the latch retracts smoothly and the lock engages and disengages correctly.
6. **Install Strike Plate and Box:** Install the strike box into the door frame. Align the strike plate with the latch bolt and secure it to the door frame with the provided screws. Ensure the latch bolt engages smoothly with the strike plate when the door is closed.



Image: A four-step visual guide demonstrating the installation process: marking and drilling holes, adjusting the latch, inserting the cylinder and indoor handle, and installing the outside handle unit with the locking bar and spindle.

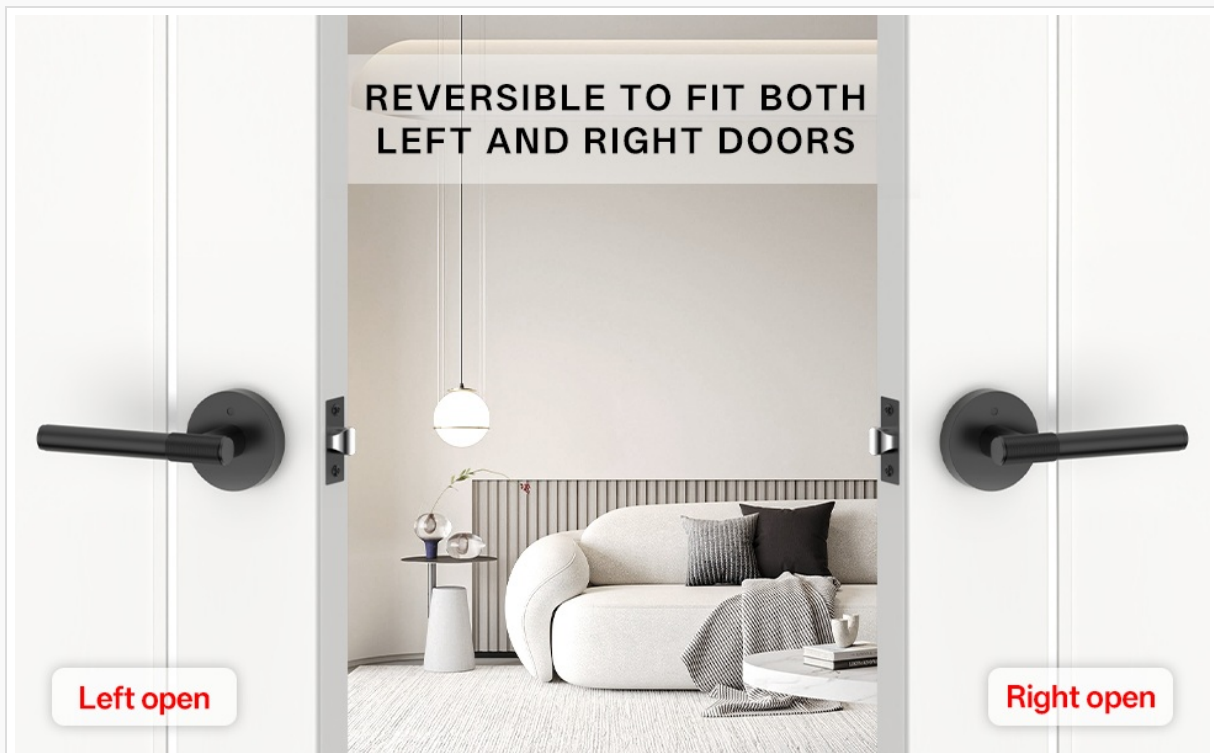


Image: A visual representation of the door levers installed on both a left-opening and a right-opening door, demonstrating the product's reversibility and adaptability to different door orientations.

## 5. OPERATING INSTRUCTIONS

The FILTA Privacy Door Lever is designed for simple and secure operation.

- **To Lock:** From the interior side of the door, locate the small push button on the lever's rosette. Press this button to engage the privacy lock. The door is now locked from the outside.
- **To Unlock:** From the interior side, simply turn the lever handle. This action will automatically disengage the privacy lock.
- **Emergency Unlock (Exterior):** In case of an emergency or accidental lockout, an emergency unlock hole is located on the exterior rosette. Insert a small, pointed object (such as a paperclip or the emergency key provided with some sets) into this hole and push firmly to disengage the lock.

## EASILY INSTALL & USE



Image: A cutaway diagram of the door lever assembly, highlighting the interior push button for locking and the exterior emergency unlock hole, along with key dimensions for installation.

## 6. MAINTENANCE

To ensure the longevity and appearance of your FILTA door levers, follow these simple maintenance guidelines:

- **Cleaning:** Wipe the levers with a soft, damp cloth. Avoid using abrasive cleaners, harsh chemicals, or polishes, as these can damage the matte black finish.

- **Lubrication:** Periodically, a small amount of silicone-based lubricant can be applied to the latch bolt and internal mechanisms to maintain smooth operation. Do not use oil-based lubricants, which can attract dust and grime.
- **Tightening Screws:** Over time, screws may loosen. Periodically check and tighten all visible screws on the lever assemblies and strike plate to ensure secure installation.

## 7. TROUBLESHOOTING

If you encounter issues with your door lever, refer to the following common problems and solutions:

Problem	Possible Cause	Solution
Lever is loose or wobbly	Mounting screws are loose.	Tighten the mounting screws on both sides of the door lever assembly.
Latch does not retract smoothly	Misalignment of components; lack of lubrication.	Check for proper alignment of the spindle through the latch. Apply a silicone-based lubricant to the latch mechanism.
Privacy lock does not engage/disengage	Internal mechanism obstruction or misalignment.	Ensure the push button is not obstructed. Recheck internal assembly for correct alignment during installation. If the lock mechanism is sticky, a small amount of lubricant may help.
Door does not latch or close properly	Strike plate misalignment; latch bolt not extending fully.	Adjust the position of the strike plate on the door frame. Ensure the latch bolt extends fully when the door is open.

## 8. WARRANTY AND SUPPORT

For information regarding product warranty, returns, or technical support, please refer to the official FILTA website or contact FILTA customer service directly. Keep your purchase receipt as proof of purchase.