

## Manuals+

[Q & A](#) | [Deep Search](#) | [Upload](#)

[manuals.plus](#) /

› [Aihand](#) /

› [Aihand 24" Undercarriage Pressure Washer Attachment Instruction Manual](#)

## Aihand UC002

# Aihand 24" Undercarriage Pressure Washer Attachment

Model: UC002

## INTRODUCTION

---

This manual provides detailed instructions for the safe and effective use of your Aihand 24" Undercarriage Pressure Washer Attachment. Designed for versatility, this 2-in-1 tool functions as both an undercarriage cleaner and a water broom, making vehicle and surface cleaning more efficient. Please read this manual thoroughly before operation to ensure proper setup, usage, and maintenance.

## PRODUCT FEATURES

---

- **2-in-1 Functionality:** Easily switch between undercarriage cleaning and water broom modes for diverse cleaning tasks.
- **7 Fan-Shaped Nozzles:** Provides broad coverage for efficient cleaning of vehicle undercarriages and ground surfaces.
- **High-Pressure Capability:** Designed to withstand pressures up to 4000 PSI, with a recommended operating pressure of 3000 PSI or below for optimal results and safety.
- **Integrated 100ml Foam Cannon:** Allows for the application of cleaning foam, enhancing the cleaning process.
- **Durable Construction:** Crafted from stainless steel for longevity and resistance to corrosion.
- **Swivel Caster Wheels:** Equipped with 2 swivel wheels for easy maneuverability and access to hard-to-reach areas.
- **Quick Connect System:** Features a 1/4-inch male plug for fast and secure connection/disconnection with pressure washer wands.
- **Rotatable Coupling:** Allows for 360-degree rotation of the connection point for flexible use.

# Multi Functional Undercarriage Cleaner



◀ 7 Spray Nozzles

Brass Pivoting Coupler ▶



Image: Multi-functional undercarriage cleaner showing 7 spray nozzles and a 360-degree brass pivoting coupler.

## 7 Nozzles Design for Enhanced Cleaning Coverage

Save **90%** of Your Time & Energy



Image: Visual comparison demonstrating the enhanced cleaning coverage provided by the 7-nozzle design compared to other designs.

## PACKAGE CONTENTS

---

Upon opening your package, please verify that all the following components are included:

- 1 x Aihand 24" Undercarriage Cleaner
- 1 x 100ml Foam Cannon
- 1 x User Manual (this document)
- 2 x 16-inch Straight Extension Wands
- 1 x 45° Curved Extension Wand



Image: All components of the Aihand 24" Undercarriage Pressure Washer Attachment, including the main unit, foam cannon, and extension wands.

## SETUP

---

The Aihand Undercarriage Pressure Washer Attachment is designed for easy assembly and conversion between modes.

### **Connecting for Water Broom Mode:**

1. Ensure your pressure washer is turned off and disconnected from the power source.
2. Attach the 1/4" quick connect end of a 16" straight extension wand to your pressure washer gun.
3. Connect the other end of the 16" straight extension wand to the 1/4" quick plug on the Aihand Undercarriage Cleaner unit. Ensure a secure connection.
4. For optimal ground cleaning, ensure the unit is positioned with the nozzles facing downwards.

### **Connecting for Undercarriage Cleaner Mode:**

1. Ensure your pressure washer is turned off and disconnected from the power source.
2. Attach the 1/4" quick connect end of a 16" straight extension wand to your pressure washer gun.
3. Connect the 45° curved extension wand to the end of the 16" straight extension wand.
4. Connect the 1/4" quick plug on the Aihand Undercarriage Cleaner unit to the end of the 45° curved extension wand. Ensure all connections are secure.
5. For undercarriage cleaning, the unit will be positioned with the nozzles facing upwards.

### **Attaching the Foam Cannon:**

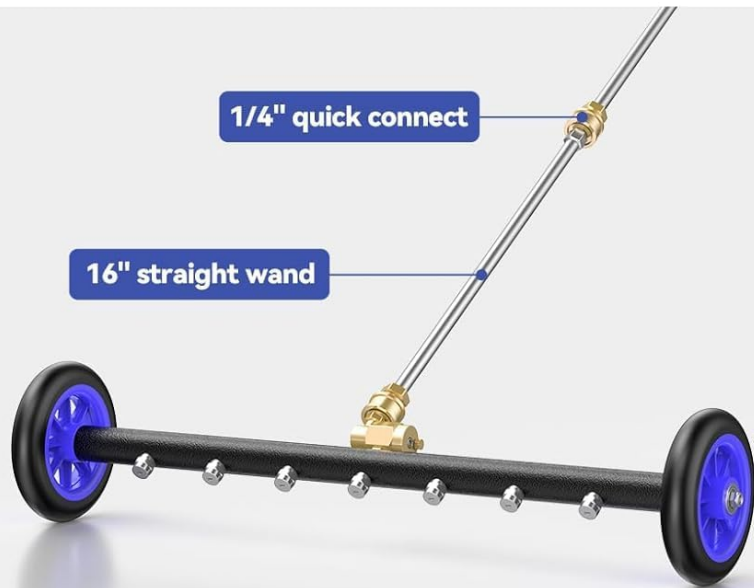
1. Fill the 100ml foam cannon reservoir with your desired cleaning solution.
2. Connect the foam cannon directly to your pressure washer gun or in-line with your extension wands, depending on your pressure washer's setup.

# Easy to Connect & Convert

## Water Broom



**1/4"**  
Quick Plug



## Undercarriage Cleaner

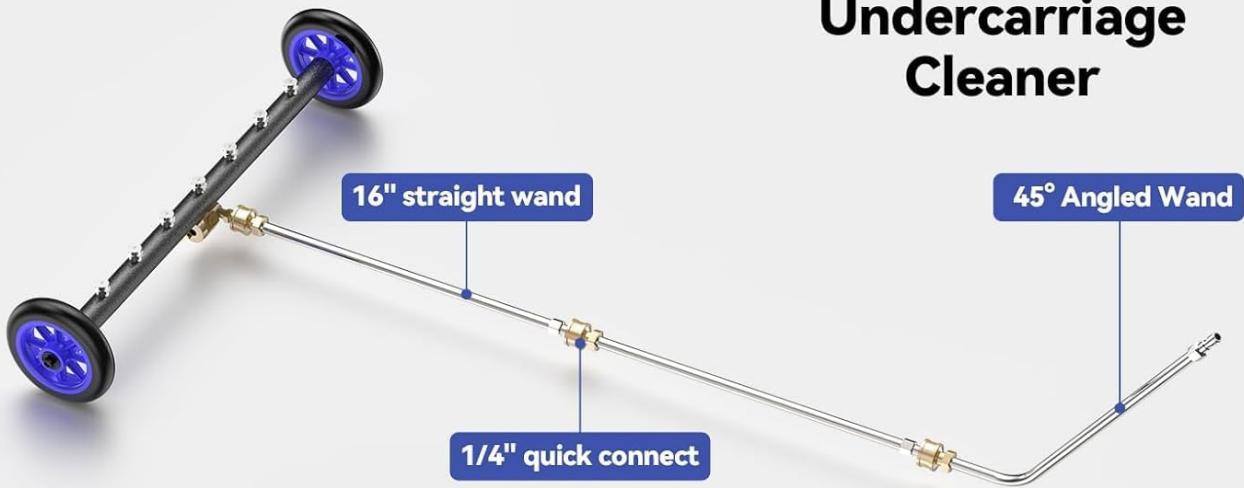


Image: Instructions for easy connection and conversion between water broom and undercarriage cleaner configurations using extension wands.



**Equipped with Upgraded 100ML Foam Cannon**  
For the Ultimate in Cleaning



Image: The 100ml foam cannon attached to a pressure washer system, ready for use.

## OPERATING INSTRUCTIONS

### General Operation:

1. Ensure all connections are tight and secure before starting your pressure washer.
2. Turn on your pressure washer.
3. Always maintain a firm grip on the pressure washer gun and extension wands during operation.
4. Move the Aihand Undercarriage Cleaner slowly and steadily over the surface to be cleaned, allowing the high-pressure jets to effectively remove dirt and debris.
5. After use, turn off the pressure washer and release any remaining pressure in the system before disconnecting the attachment.

### Using as an Undercarriage Cleaner:

With the unit configured for undercarriage cleaning (nozzles facing upwards), roll the cleaner under your vehicle. The swivel caster wheels allow for easy movement and access to various parts of the undercarriage. Move the unit back and forth to ensure thorough cleaning of dirt, grime, and road salt.

## 2-IN-1 Power Washer Undercarriage Cleaner



Image: The 2-in-1 power washer undercarriage cleaner in action, demonstrating its ability to rinse the chassis and clean the ground.



Image: The undercarriage cleaner with a 45-degree angled wand effectively cleaning the underside of a vehicle.

### Using as a Water Broom:

When configured as a water broom (nozzles facing downwards), push the unit across driveways, sidewalks, decks, or other hard surfaces. The wide spray pattern helps to quickly clear debris, leaves, and dirt. Overlap your passes slightly to ensure complete coverage.



Image: A person using the Aihand attachment configured as a water broom to clean a paved outdoor area.

### Using the Foam Cannon:

Once the foam cannon is attached and filled with solution, activate your pressure washer. The foam cannon will mix the solution with the high-pressure water to create a thick foam. Apply the foam evenly to the desired surface, allow it to dwell for a few minutes (as per your cleaning solution's instructions), then rinse thoroughly with clean water using the undercarriage cleaner or water broom attachment.



Image: The Aihand undercarriage cleaner applying a thick layer of foam to the side of a car, demonstrating its foam cleaning capability.

### Adjusting the Swivel Head:

The brass pivoting coupler allows for angle adjustment. To adjust, pull out the small knob, rotate the swivel head to the desired angle, and then release the knob for automatic locking. This feature provides flexibility for cleaning various angles and hard-to-reach spots.



Image: Step-by-step guide on how to adjust the swivel head by pulling, rotating, and releasing the knob for automatic locking.

## MAINTENANCE

Regular maintenance ensures the longevity and optimal performance of your Aihand Undercarriage Pressure Washer Attachment.

- **Rinsing:** After each use, especially when using cleaning solutions, thoroughly rinse the attachment with clean water to remove any chemical residues.
- **Nozzle Cleaning:** Periodically check the 7 nozzles for clogs or blockages. Use a small wire or nozzle cleaning tool (if provided) to clear any debris.
- **Storage:** Store the attachment in a clean, dry place, away from direct sunlight and extreme temperatures. Disconnect all wands and the foam cannon for compact storage.

- **Inspection:** Regularly inspect all connections, wands, and the main unit for any signs of wear, damage, or leaks. Replace any damaged parts immediately.

## TROUBLESHOOTING

Problem	Possible Cause	Solution
Low pressure or uneven spray	Clogged nozzles; Insufficient water supply to pressure washer; Loose connections.	Clean nozzles with a nozzle cleaning tool; Ensure adequate water flow to your pressure washer; Check and tighten all quick connections.
Water leaking from connections	Loose connections; Worn O-rings.	Tighten all quick connections; Inspect O-rings for damage and replace if necessary.
Foam cannon not producing foam	Nozzle clogged; Insufficient soap solution; Incorrect water pressure.	Clean foam cannon nozzle; Ensure foam cannon reservoir has sufficient soap; Verify pressure washer is operating at recommended pressure.
Wheels not rolling smoothly	Debris in wheel mechanism; Damaged wheel.	Clear any debris from the wheel axles; Inspect wheels for damage and contact support if replacement is needed.

## SPECIFICATIONS

Attribute	Value
Model Number	UC002
Product Dimensions	23.62 x 5.12 x 5.12 inches
Item Weight	5.02 pounds
Maximum Pressure	4000 PSI (recommended operating pressure: 3000 PSI or below)
Nozzle Quantity	7
Foam Cannon Capacity	100ml
Material	Stainless Steel
Connection Type	1/4-inch Quick Plug

# Versatile Under Car Washer Attachment

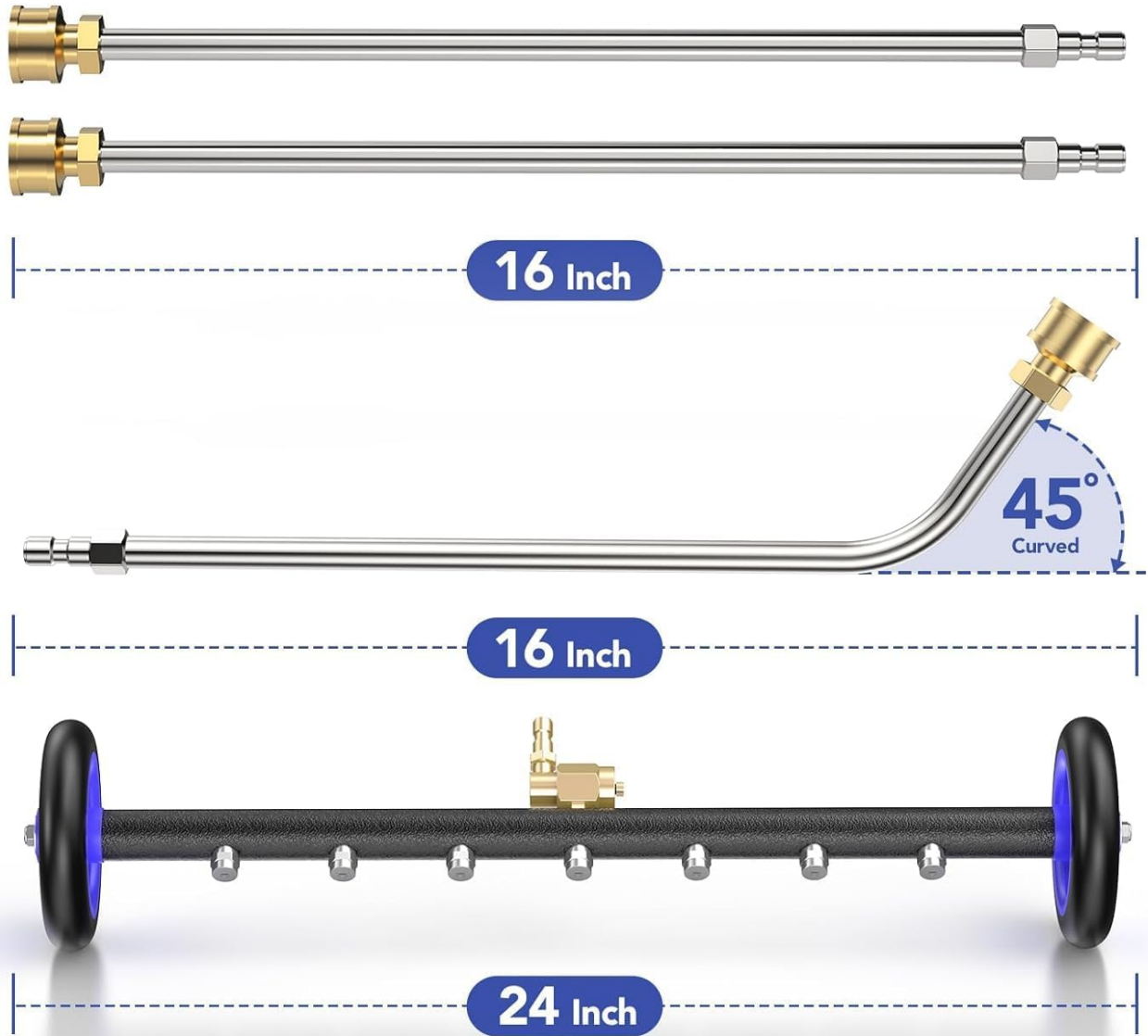


Image: Visual representation of the dimensions of the undercarriage cleaner and accompanying 16-inch extension wands.

## WARRANTY AND SUPPORT

Your Aihand 24" Undercarriage Pressure Washer Attachment comes with a **1-year warranty** from the date of purchase. This warranty covers manufacturing defects and ensures the product meets its specified performance standards under normal use.

If you have any questions, concerns, or require assistance with your product, please do not hesitate to contact our dedicated customer service team. We are committed to providing the best possible solution and typically respond within 12 hours.

For support, please refer to the contact information provided on the product packaging or the official Aihand website.



