



[Manuals.plus](#) /

> [DWVO](#) /

> DWVO Vanity Desk with Mirror and Lights User Manual

DWVO MADWVe7g3r

DWVO Vanity Desk User Manual

Model: MADWVe7g3r

INTRODUCTION

Thank you for choosing the DWVO Vanity Desk. This comprehensive makeup vanity set is designed to enhance your daily beauty routine with its intelligent lighting, ample storage, and convenient charging features. This manual provides detailed instructions for assembly, operation, and maintenance to ensure you get the most out of your new vanity desk.



Figure 1: The DWVO Vanity Desk in Frost White, showcasing its mirror with integrated lighting, multiple drawers, and accompanying stool.

PRODUCT FEATURES

- **Adjustable 3-Mode Lighting:** The built-in LED strip mirror offers three color modes (warm yellow, warm white, cold white) and adjustable brightness, allowing for optimal lighting for makeup application, hair styling, or photography.
- **Ample Storage Space:** Features four different sized drawers and five open shelves, providing extensive storage for cosmetics, perfumes, brushes, hair tools, and jewelry.
- **Integrated Charging Station:** Equipped with two standard AC plug sockets and two USB ports, enabling convenient charging for electronic devices and powering beauty tools.
- **Dedicated Hair Dryer Rack:** A built-in rack keeps your hair dryer easily accessible and neatly stored.
- **Comfortable Stool Included:** A soft cushioned stool is provided, designed for comfortable use with the vanity.
- **Anti-tip Design:** Includes an anti-tip device for enhanced safety and stability, allowing the vanity to be securely fixed to a wall.
- **Easy Assembly:** Designed for straightforward assembly with clearly labeled parts and step-by-step instructions.

PACKAGE CONTENTS

Please verify that all components are present before beginning assembly. If any parts are missing or damaged, please contact DWVO customer support.

- Vanity Desk Frame Components
- Mirror with Integrated LED Lighting
- Vanity Stool
- Drawers and Shelving Units
- Charging Station Module
- Hair Dryer Rack
- Assembly Hardware (screws, dowels, etc.)
- Anti-tip Device
- Instruction Manual

SETUP AND ASSEMBLY

The DWVO Vanity Desk is designed for easy assembly. Follow the included step-by-step instructions carefully. It is recommended to assemble the unit in the room where it will be used.

1. **Unpack and Identify Parts:** Lay out all components on a clean, soft surface to prevent scratches. Refer to the parts list in the separate assembly guide to identify each piece.
2. **Assemble the Main Frame:** Follow the numerical sequence in the assembly guide to connect the main desk panels and supports. Ensure all connections are secure.
3. **Install Drawers and Shelves:** Insert drawer slides and assemble drawer boxes as instructed. Place shelves into their designated slots.
4. **Attach Mirror Unit:** Securely attach the mirror unit to the main desk frame. Ensure all electrical connections for the LED lighting are properly routed and connected.
5. **Install Charging Station and Hair Dryer Rack:** Mount the charging station and hair dryer rack in their designated positions. Connect the power cord to a suitable wall outlet after full assembly.
6. **Assemble Stool:** Follow the instructions to assemble the vanity stool.
7. **Secure with Anti-tip Device:** For safety, install the anti-tip device by fixing it to the back of the vanity and then to a wall stud. This prevents accidental tipping.

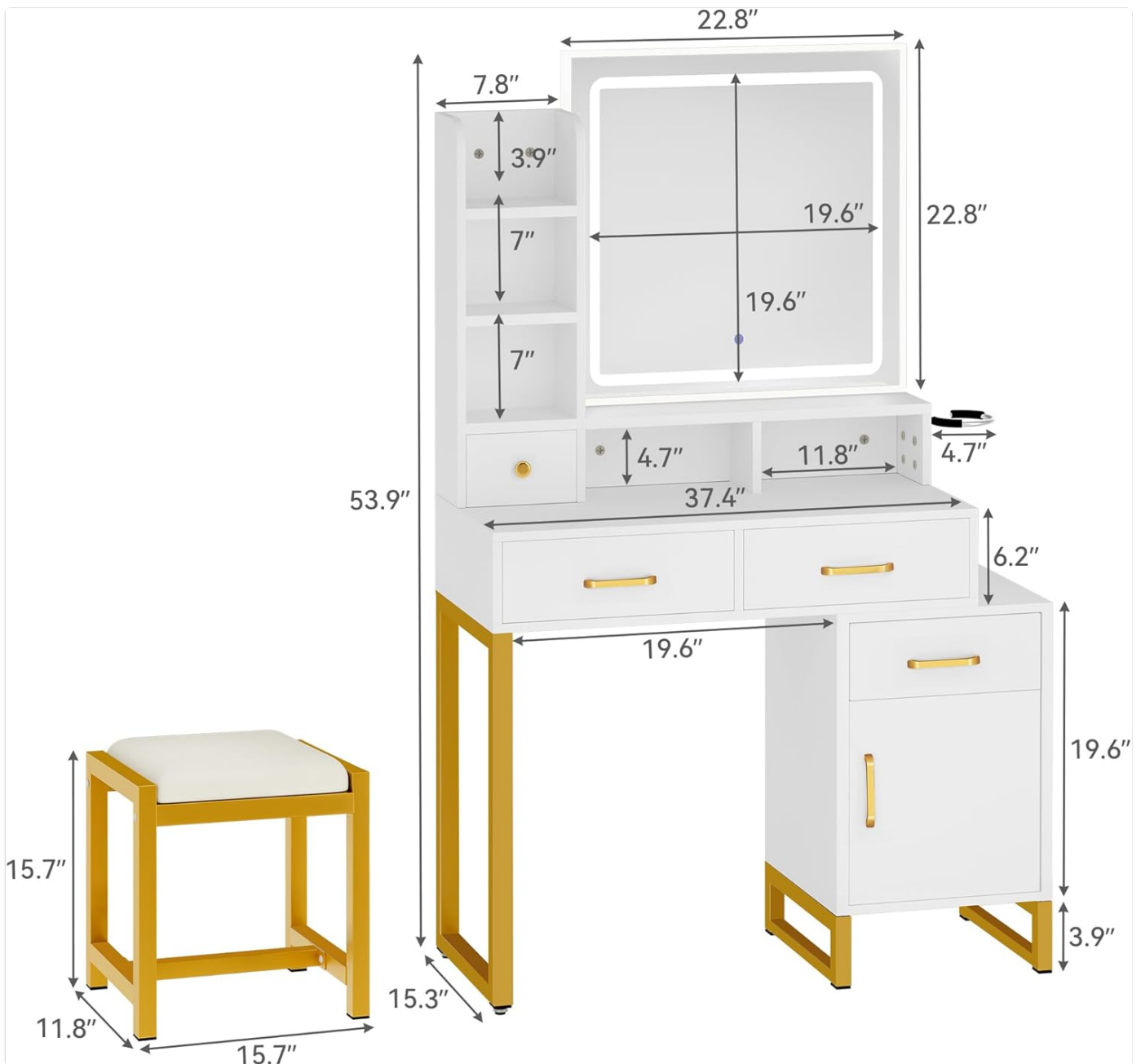


Figure 2: Detailed dimensions of the vanity desk and stool, useful for planning placement and assembly.

OPERATING INSTRUCTIONS

Mirror Lighting Control

The vanity mirror features an integrated LED light strip with adjustable settings.

- **Power On/Off:** Locate the touch switch on the mirror surface. A single touch will turn the light on or off.
- **Change Color Mode:** With the light on, short press the touch switch to cycle through the three color modes: warm yellow, warm white, and cold white.
- **Adjust Brightness:** With the light on, long press the touch switch to continuously adjust the brightness level. Release the touch when the desired brightness is achieved.



Figure 3: Visual representation of the three adjustable lighting modes (Warm White, Cool White, Warm Yellow) and how to change brightness by pressing the touch switch.

Using the Charging Station

The built-in charging station provides convenient power access for your devices.

- **AC Outlets:** Plug in standard electrical appliances such as hair straighteners, curling irons, or small lamps into the two 125V/12A AC outlets.
- **USB Ports:** Connect your mobile phone, tablet, or other USB-powered devices to the two 5V/2A USB ports for charging.
- **Hair Dryer Rack:** Utilize the dedicated rack to store your hair dryer when not in use, keeping your tabletop clear.



Figure 4: Detailed view of the charging station, highlighting the AC outlets, USB ports, and the integrated hair dryer rack for convenient power and storage.

MAINTENANCE

- **Cleaning:** Wipe the vanity surfaces with a soft, damp cloth. Avoid abrasive cleaners or harsh chemicals that could damage the finish. For the mirror, use a glass cleaner and a lint-free cloth.
- **Dusting:** Regularly dust all surfaces, including shelves and drawers, to prevent buildup.
- **Hardware Check:** Periodically check all screws and fasteners to ensure they remain tight. Tighten if necessary to maintain stability.
- **Electrical Components:** Ensure the power cord and plugs are free from damage. Do not attempt to repair electrical components yourself.

TROUBLESHOOTING

Problem	Possible Cause	Solution
LED light not turning on.	Power cord not plugged in; loose connection; faulty switch.	Ensure the power cord is securely plugged into a working outlet. Check all connections. If the issue persists, contact customer support.
Charging station not working.	No power to the unit; device not properly connected.	Verify the vanity is powered on. Ensure devices are correctly plugged into the AC outlets or USB ports. Test with different devices.
Drawers are stiff or difficult to open/close.	Improper assembly of drawer slides; obstruction.	Review the assembly instructions for drawer slide installation. Check for any objects obstructing the drawer's path.
Vanity feels unstable.	Loose fasteners; anti-tip device not installed or secured.	Tighten all assembly screws. Ensure the anti-tip device is properly installed and anchored to a wall stud.

SPECIFICATIONS

Feature	Detail
Brand	DWVO
Model Number	MADWVe7g3r
Color	Frost White
Material	Wood
Product Dimensions (D x W x H)	15.7" x 43.3" x 53.9"
Item Weight	85.5 pounds
Lighting Modes	3 (Warm Yellow, Warm White, Cold White)
Power Outlet	2 x 125V/12A AC Outlets
USB Ports	2 x 5V/2A USB Ports
Assembly Required	Yes
Country of Origin	Vietnam

WARRANTY AND SUPPORT

DWVO is committed to providing high-quality products. While specific warranty details are not provided in this manual, if you encounter any issues such as a broken mirror, missing parts, or require assistance with assembly or operation, please contact DWVO customer support directly. They will assist you with replacements or troubleshooting.

For support, please refer to the contact information provided on the product packaging or the official DWVO website.