

## Manuals+

[Q & A](#) | [Deep Search](#) | [Upload](#)

### Manuals.plus /

- › [umoven](#) /
- › [umoven Tracker Tag Instruction Manual](#)

## umoven B0DZ5CDYMC

# umoven Tracker Tag Instruction Manual

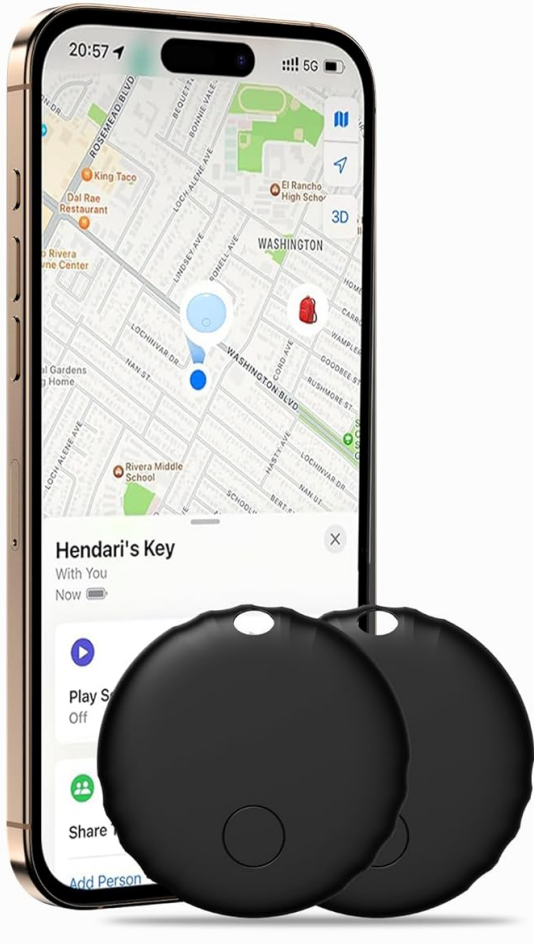
Model: B0DZ5CDYMC

## INTRODUCTION

---

The umoven Tracker Tag is a smart item finder designed to help you locate your personal belongings using the Apple Find My network. This device is compatible exclusively with iOS devices (iPhone, iPad) and offers features such as real-time tracking, sound alerts, and left-behind notifications. This manual provides detailed instructions for optimal use of your Tracker Tag.

# Works with Apple Find My Network



Works with  
**Apple Find My**  
(No App download required)



**Worldwide Tracking**  
No distance limits



**Replaceable Battery**  
Lasts up to 1 year



**Seamless Connection**  
No App Download Required



**Sound Reminder**  
Easy to Hear



**Resistente al agua**  
Clasificación IP67

**Note: Android devices are not supported.**

Image: The umoven Tracker Tag seamlessly integrates with the Apple Find My network, allowing users to track their items globally without needing a separate app download. It features a replaceable battery, seamless connection, sound reminder, and IP67 waterproofing. Note: Android devices are not supported.

## SAFETY INFORMATION

- Keep the device and its battery out of reach of children and pets. The CR2032 battery can be a choking hazard.
- Do not attempt to disassemble, modify, or repair the device yourself. This may void the warranty and cause damage.
- Avoid exposing the device to extreme temperatures, direct sunlight, or open flames.
- While the device is IP67 waterproof, it is designed to withstand splashes, rain, and brief submersion. Do not intentionally submerge it for extended periods or in deep water.
- Dispose of batteries according to local regulations.

## PACKAGE CONTENTS

Your umoven Tracker Tag package should contain the following items:

- umoven Tracker Tag (3 units)

- CR2032 Battery (pre-installed in each tag)
- User Manual (this document)

## SETUP

---

The umoven Tracker Tag is designed for easy pairing with your iOS device. Ensure your iPhone or iPad is running the latest iOS version and has Bluetooth enabled.

1. **Activate Bluetooth:** On your iOS device, go to **Settings > Bluetooth** and ensure Bluetooth is turned **On**.
2. **Open Find My App:** Launch the **Find My** app on your iPhone or iPad.
3. **Add Item:** Tap on the **Items** tab at the bottom of the screen.
4. **Select "Other Supported Item":** Tap **Add Item**, then scroll down and select **Other Supported Item**.  
*(Important: Do not select "Add AirTag" as this device is not an Apple AirTag.)*
5. **Follow On-Screen Instructions:** The app will guide you through the final steps to pair your umoven Tracker Tag. This typically involves pressing a button on the tag to activate pairing mode.
6. **Name Your Tag:** Assign a name to your Tracker Tag (e.g., "Keys," "Backpack," "Luggage") and choose an emoji to easily identify it in the Find My app.

Your umoven Tracker Tag is now paired and ready to use.

## OPERATING INSTRUCTIONS

---

### Locating Nearby Items (Play Sound)

When your umoven Tracker Tag is within Bluetooth range (up to 60 meters or 200 feet) of your iOS device, you can make it play a sound to help you find it.

1. Open the **Find My** app.
2. Go to the **Items** tab.
3. Select your umoven Tracker Tag from the list.
4. Tap **Play Sound**. The tag will emit a loud beep (80-100 dB) to guide you to its location.
5. Tap **Stop Sound** once you've found your item.

# Play A Sound To Find Your Items

Crystal-Clear Audibility and Impressive Tracking Range.  
Up to 100dB loud beep.

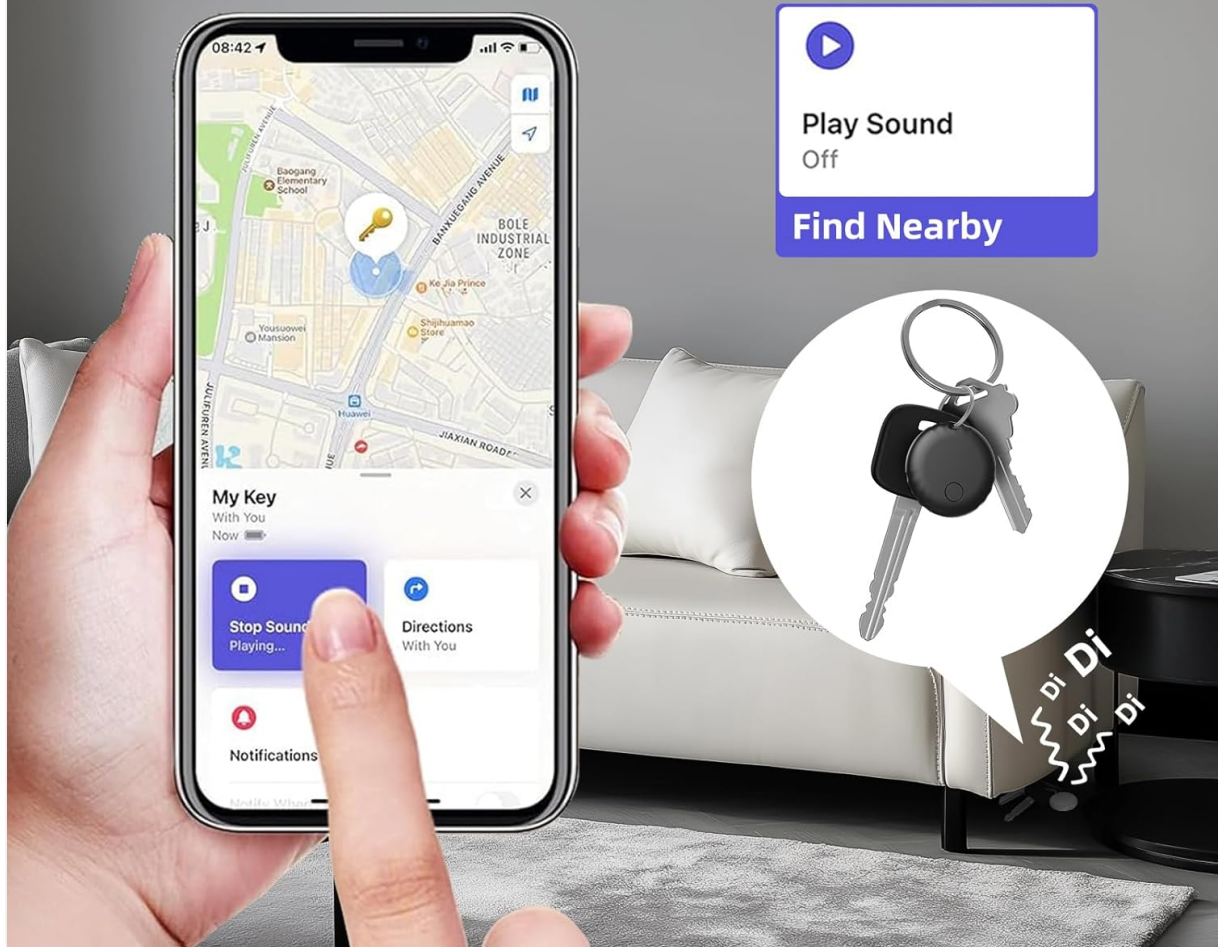


Image: Use the 'Play Sound' feature in the Find My app to locate your items when they are within Bluetooth range. The tag emits a clear, loud beep to help you quickly find misplaced belongings like keys.

## Worldwide Tracking (Find My Network)

If your item is out of Bluetooth range, the Apple Find My network can help you locate it. Billions of iOS devices anonymously and securely relay the location of your unmoved Tracker Tag to the Find My app, allowing you to see its last known location on a map.

- Open the **Find My** app.
- Go to the **Items** tab.
- Select your unmoved Tracker Tag. The map will display its current or last known location.

## Left Behind Remind and Lost Mode

The unmoved Tracker Tag can notify you if you leave an item behind.

- **Left Behind Remind:** If your Tracker Tag disconnects from your iOS device's Bluetooth, the Find My app will send an immediate notification to your device, alerting you that the item has been left behind.
- **Lost Mode:** If an item is truly lost, you can enable Lost Mode in the Find My app. This allows you to display a message and contact information to anyone who finds your tag. When another iOS device on the Find My network detects your lost tag, you will receive an updated location.

# Never Lost with Left-Behind Alert



"keys" left behind

This item is no longer detected near you. It was last seen near 3816 Ventnor Ave.

Image: The 'Left-Behind Alert' feature notifies you immediately if your umoven Tracker Tag is separated from your iOS device, helping you prevent loss of important items like keys or wallets.

## Versatile Use

The compact and lightweight design of the umoven Tracker Tag makes it suitable for various items:

- Keys
- Wallets
- Backpacks
- Suitcases and Luggage
- Laptops
- Pets (attach securely to collar)

# PROTECT IMPORTANT ITEMS

Protect important items, people, pets, etc



**Find the key**



**Protect Children**



**Luggage Tracking**



**Pet Tracking**

Image: The umoven Tracker Tag can be used to protect and track various important items, including keys, backpacks, luggage, and even pets, providing peace of mind.

## MAINTENANCE

### Battery Replacement

The umoven Tracker Tag uses a replaceable CR2032 coin cell battery, which typically lasts up to one year. You can check the battery status within the Find My app.

1. Locate the battery compartment on the back of the Tracker Tag.
2. Twist the back cover counter-clockwise to open it.
3. Remove the old CR2032 battery.
4. Insert a new CR2032 battery with the positive (+) side facing up.
5. Align the back cover and twist clockwise to secure it.

After replacing the battery, the tag should automatically reconnect to your iOS device.

### Water Resistance

The umoven Tracker Tag is rated IP67, meaning it is dust-tight and protected against immersion in water up to 1 meter (3.3 feet) for up to 30 minutes. This protects against splashes, rain, and accidental brief submersion. Ensure the battery compartment is properly sealed after replacement to maintain water resistance.

## TROUBLESHOOTING

---

- **Tag not pairing:**
  - Ensure Bluetooth is enabled on your iOS device.
  - Make sure you select "**Other Supported Item**" when adding the tag in the Find My app, not "Add AirTag."
  - Check if the battery is correctly installed and has sufficient charge.
  - Try restarting your iOS device and the pairing process.
- **Sound is too low or not playing:**
  - Ensure the tag is within Bluetooth range of your iOS device.
  - Check the battery level in the Find My app; a low battery might affect sound output.
  - Ensure there are no obstructions covering the tag's speaker.
- **Location not updating:**
  - Ensure your iOS device has an active internet connection (Wi-Fi or cellular data).
  - The Find My network relies on other iOS devices. In remote areas with fewer iOS devices, location updates may be less frequent.
  - Check the battery level of your Tracker Tag.
- **"Left Behind" alerts not working:**
  - Verify that "Notify When Left Behind" is enabled for your tag in the Find My app.
  - Ensure your iOS device has location services enabled for the Find My app.

## SPECIFICATIONS

---

<b>Brand</b>	umoven
<b>Model Number</b>	B0DZ5CDYMC
<b>Compatibility</b>	iOS devices only (iPhone, iPad)
<b>Battery Type</b>	CR2032 (replaceable)
<b>Battery Life</b>	Up to 1 year
<b>Water Resistance</b>	IP67 (dust-tight, protected against temporary immersion)
<b>Bluetooth Range</b>	Up to 60 meters (200 feet)
<b>Sound Level</b>	80-100 dB
<b>Item Weight</b>	0.03 Kilograms (approx. 6 grams per tag)
<b>Dimensions</b>	Approx. 29mm (1.14in) diameter, 8.6mm (0.339in) thickness

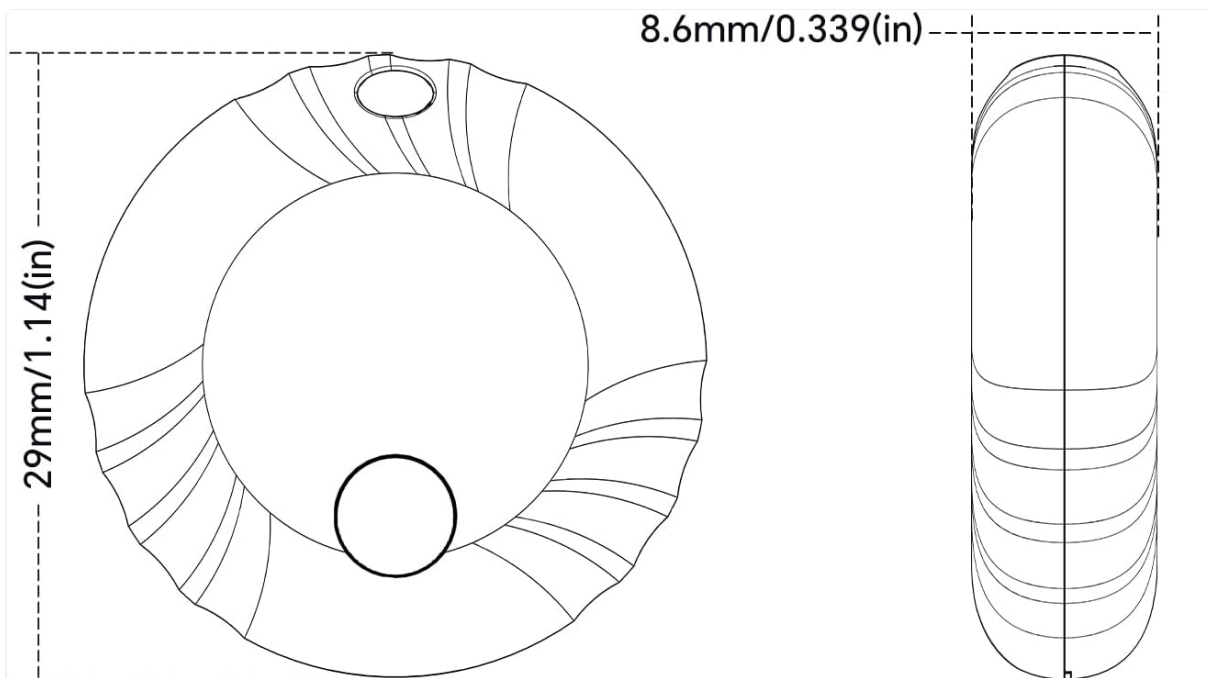


Image: Detailed specifications and dimensions of the umoven Tracker Tag, highlighting its compact size, sound output, Bluetooth range, water resistance, and replaceable battery feature.

## WARRANTY AND SUPPORT

---

For information regarding the product warranty, please refer to the packaging or the official umoven website. For technical support, troubleshooting assistance beyond this manual, or any other inquiries, please contact umoven customer support through their official channels.