

ACHAZEL d542cfcf-6501-4e3b-8d07-85de5e0a6e92

ACHAZEL 20" High Velocity Pedestal Fan

Model: d542cfcf-6501-4e3b-8d07-85de5e0a6e92

Brand: ACHAZEL

INTRODUCTION

Thank you for choosing the ACHAZEL 20" High Velocity Pedestal Fan. This manual provides essential information for the safe and efficient operation, assembly, and maintenance of your new fan. Please read this manual thoroughly before use and retain it for future reference.

This industrial-grade fan is designed to provide powerful airflow for large spaces such as garages, workshops, warehouses, and commercial indoor areas. It features a robust metal construction, three speed settings, oscillation, and adjustable height for versatile cooling.

SAFETY INSTRUCTIONS

To reduce the risk of fire, electric shock, or injury, please observe the following safety precautions:

- Read all instructions before using this fan.
- Always unplug the fan from the power outlet before cleaning, servicing, or moving it.
- Do not operate any fan with a damaged cord or plug. Discard fan or return to an authorized service facility for examination and/or repair.
- Do not run cord under carpeting. Do not cover cord with throw rugs, runners, or similar coverings. Arrange cord away from traffic area and where it will not be tripped over.
- Do not insert or allow fingers or foreign objects to enter any ventilation or exhaust opening as this may cause an electric shock or fire, or damage the fan.
- Do not use outdoors. This fan is designed for indoor use only.
- Do not use in wet or damp locations, such as bathrooms or laundry areas.
- Ensure the fan is placed on a stable, level surface to prevent tipping.
- Close supervision is necessary when any appliance is used by or near children.
- Connect to properly grounded outlets only.

PACKAGE CONTENTS

Please check the package contents to ensure all parts are present and undamaged:

- Fan Head Assembly (with motor and blades)
- Adjustable Height Pole
- Stable Round Base
- Power Cord (pre-attached)
- Fasteners and Tools (if required for assembly)





Image: The complete ACHAZEL 20" High Velocity Pedestal Fan, showcasing its robust design and components.

ASSEMBLY INSTRUCTIONS

Follow these steps to assemble your fan:

1. **Attach the Pole to the Base:** Securely fasten the adjustable height pole to the stable round base using the provided screws and tools. Ensure it is tightened to prevent wobbling.
2. **Mount the Fan Head:** Carefully place the fan head assembly onto the top of the adjustable height pole. Align the mounting holes and secure it with the designated fasteners.
3. **Check Connections:** Ensure all connections are tight and secure before plugging in the fan.

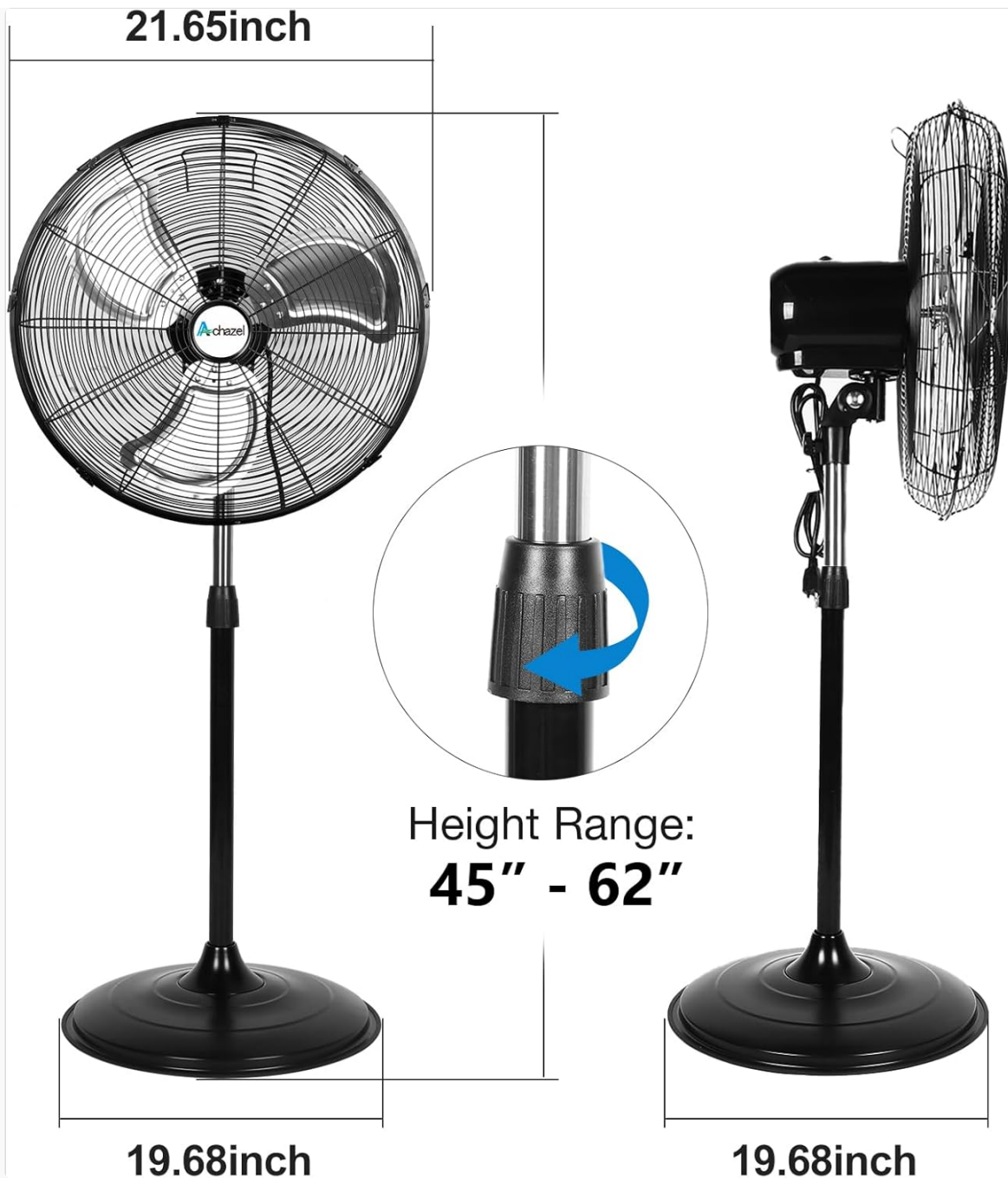


Image: Visual representation of the fan's dimensions and the adjustable height range from 45" to 62".

OPERATING INSTRUCTIONS

Powering On/Off

Plug the fan's 3-pin power cord into a grounded electrical outlet. Use the rotary switch located on the fan motor housing to turn the fan ON or OFF.

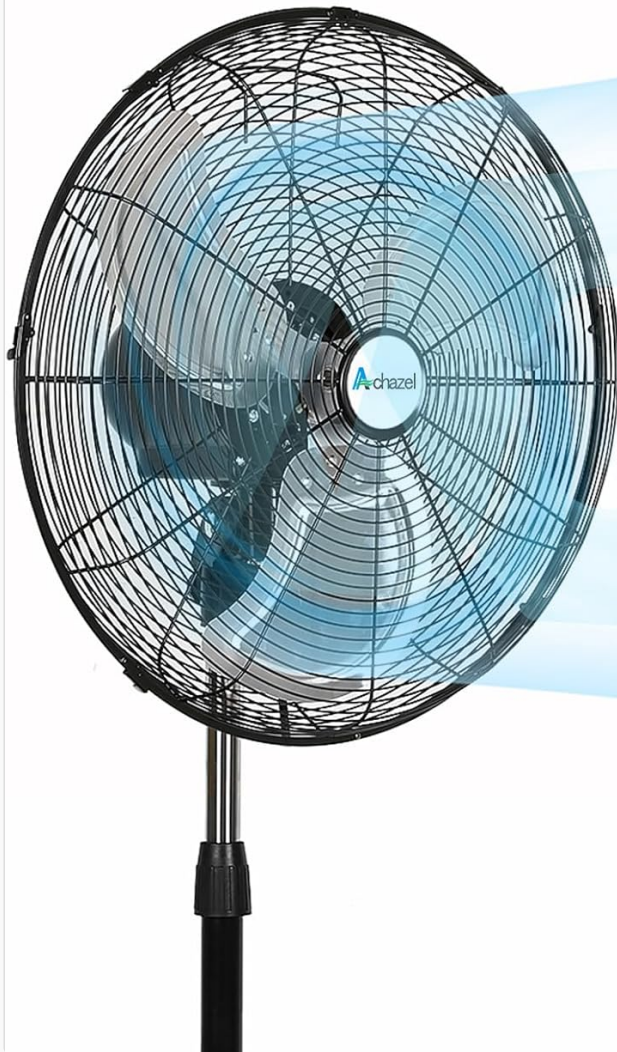
Speed Settings

The fan features three speed settings: Low, Medium, and High. Rotate the speed control knob on the motor housing to select your desired airflow:

- **Low Speed:** 3300 CFM
- **Medium Speed:** 4200 CFM
- **High Speed:** 5200 CFM

Powerful 3 Speed Control

Metal industrial fan with 3 blades



High Speed
5200 CFM



Mid Speed
4200 CFM



Low Speed
3300 CFM

Image: Close-up view of the fan head illustrating the three-speed control settings (Low, Mid, High) and corresponding CFM values.

Your browser does not support the video tag.

Video: Demonstrates the operation of the 20" High Velocity Pedestal Fan, highlighting its powerful airflow and features.

Oscillation Function

To activate the oscillation feature, press down the oscillation knob located on top of the motor housing. To stop oscillation, pull the knob up. The fan provides a 90-degree widespread oscillation to cover a larger area.

90° WIDESPREAD OSCILLATION

Customize Your Cooling

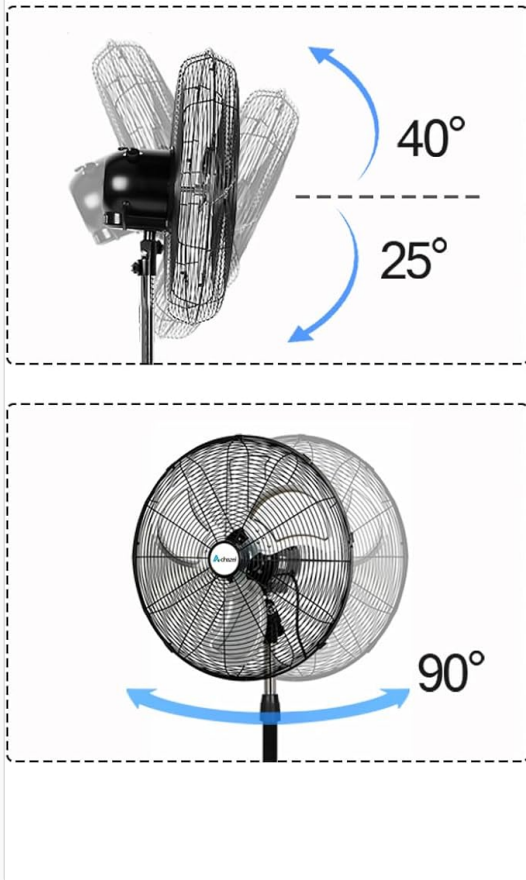


Image: Illustrates the fan's 90-degree widespread oscillation capability, providing broad air distribution.

Adjustable Height and Tilt

The fan's height can be adjusted from 45 inches to 62 inches. Loosen the height adjustment knob on the pole, raise or lower the fan to the desired height, and then tighten the knob securely. The fan head also features a vertical tilt adjustment to direct airflow precisely where needed.



Wide Angle Oscillation



Fan Grill Unlocks For Easy Cleaning



Stable Round Base

Image: Shows the adjustable height mechanism of the fan pole.



**3 Prong
Plug**



**3 Speed
Operation**



**Adjustable
Tilt**



**UL
Listed**

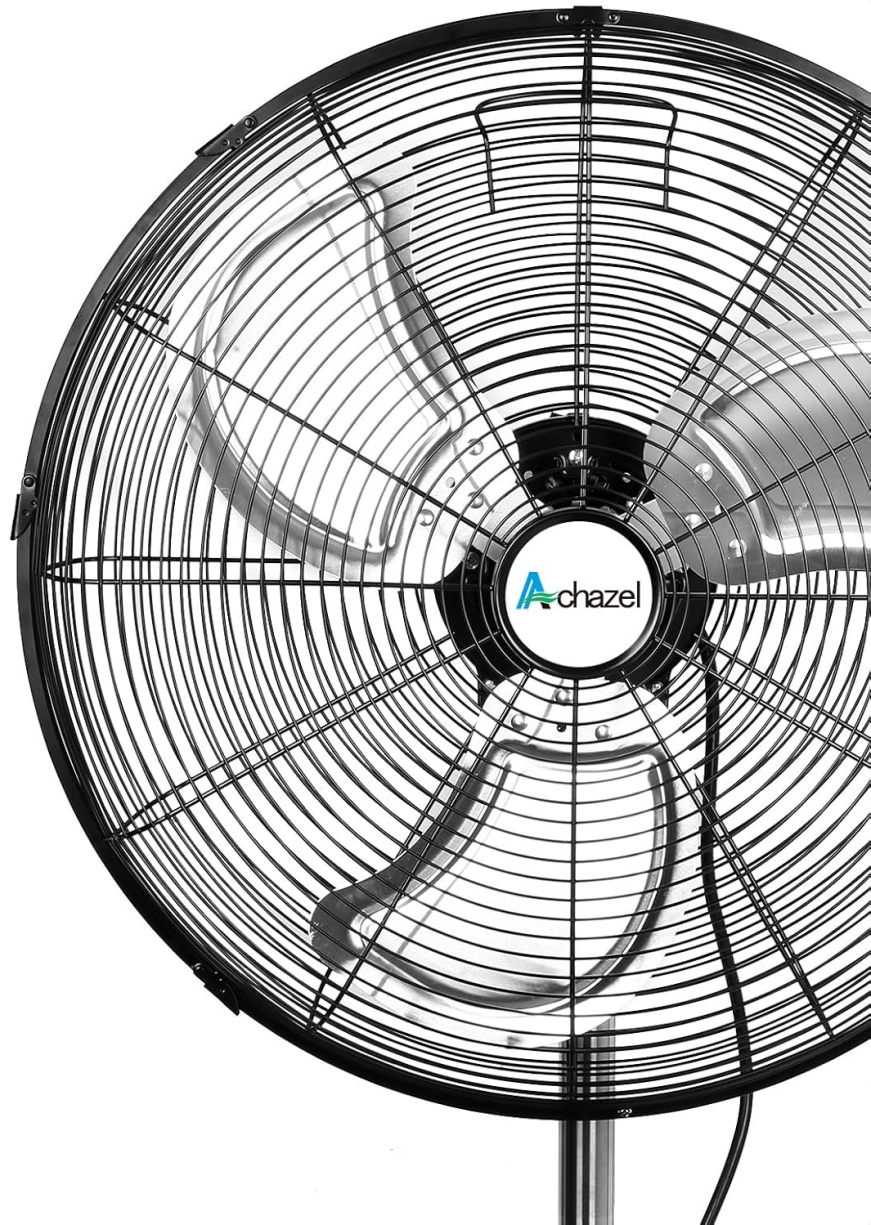


Image: Demonstrates the adjustable tilt feature of the fan head, allowing for precise airflow direction.

MAINTENANCE

Cleaning

Regular cleaning will help maintain the fan's performance and extend its lifespan. Always unplug the fan before cleaning.

- Use a soft, damp cloth to wipe the exterior surfaces of the fan. Do not use abrasive cleaners or solvents.
- To clean the fan blades, unlock the fan grill (as shown in the image below) and carefully remove it. Wipe the blades with a soft cloth. Ensure the blades are completely dry before reattaching the grill.
- The small grid spacing of the grill is designed to prevent accidental finger insertion, but it also helps keep dust out. Clean the grill regularly with a vacuum cleaner or a soft brush.



Image: Illustrates how the fan grill can be unlocked for easy access to the blades for cleaning.

Storage

When not in use for extended periods, store the fan in a cool, dry place. It is recommended to cover the fan to protect it from dust.

TROUBLESHOOTING

If you encounter any issues with your fan, please refer to the following table for common problems and solutions:

Problem	Possible Cause	Solution
Fan does not turn on.	No power to the unit. Power switch is OFF.	Ensure the power cord is securely plugged into a grounded outlet. Turn the power switch to an ON position (Low, Medium, or High).
Fan does not oscillate.	Oscillation knob is not engaged.	Press down the oscillation knob on top of the motor housing.

Problem	Possible Cause	Solution
Reduced airflow.	Dust buildup on blades or grill.	Unplug the fan and clean the blades and grill as per the Maintenance section.
Fan is noisy.	Loose parts or fan not on a level surface.	Check all screws and fasteners for tightness. Ensure the fan is on a stable, level surface.

SPECIFICATIONS

- **Brand:** ACHAZEL
- **Model:** d542cfcf-6501-4e3b-8d07-85de5e0a6e92
- **Product Dimensions:** 28"D x 7.7"W x 22"H
- **Item Weight:** 25 pounds
- **Air Flow Capacity:** 5200 Cubic Feet Per Minute (CFM)
- **Blade Length:** 20 Inches
- **Speed:** 1330 RPM (at max speed)
- **Voltage:** 120 Volts (AC)
- **Number of Power Levels:** 3
- **Blade Material:** Aluminum
- **Control Method:** Rotary Switch
- **Special Features:** Adjustable Height, Oscillating
- **Indoor/Outdoor Usage:** Indoor

WARRANTY AND SUPPORT

ACHAZEL stands behind the quality of its products. This 20" High Velocity Pedestal Fan comes with a **1-year guarantee** from the date of purchase. We offer free exchanges for any quality problems within the warranty period.

For warranty claims, technical support, or any questions regarding your product, please contact ACHAZEL customer service through the retailer's platform or visit the official ACHAZEL store online. Please have your purchase receipt and model number ready when contacting support.

We are committed to providing durable, reliable equipment and a hassle-free purchasing experience.