



[Manuals.plus](#) /

› [VEVOR](#) /

› VEVOR 30 Inch Heavy Duty Drawer Slides User Manual

VEVOR 5301/5301Z-30

VEVOR 30 Inch Heavy Duty Drawer Slides User Manual

Model: 5301/5301Z-30

INTRODUCTION

This manual provides detailed instructions for the installation, operation, and maintenance of your VEVOR 30 Inch Heavy Duty Drawer Slides. Designed for robust applications, these slides feature a 250 lbs load capacity, a double-lock mechanism, and a 3-fold full extension design for optimal access. Please read this manual thoroughly before installation and use to ensure proper function and safety.

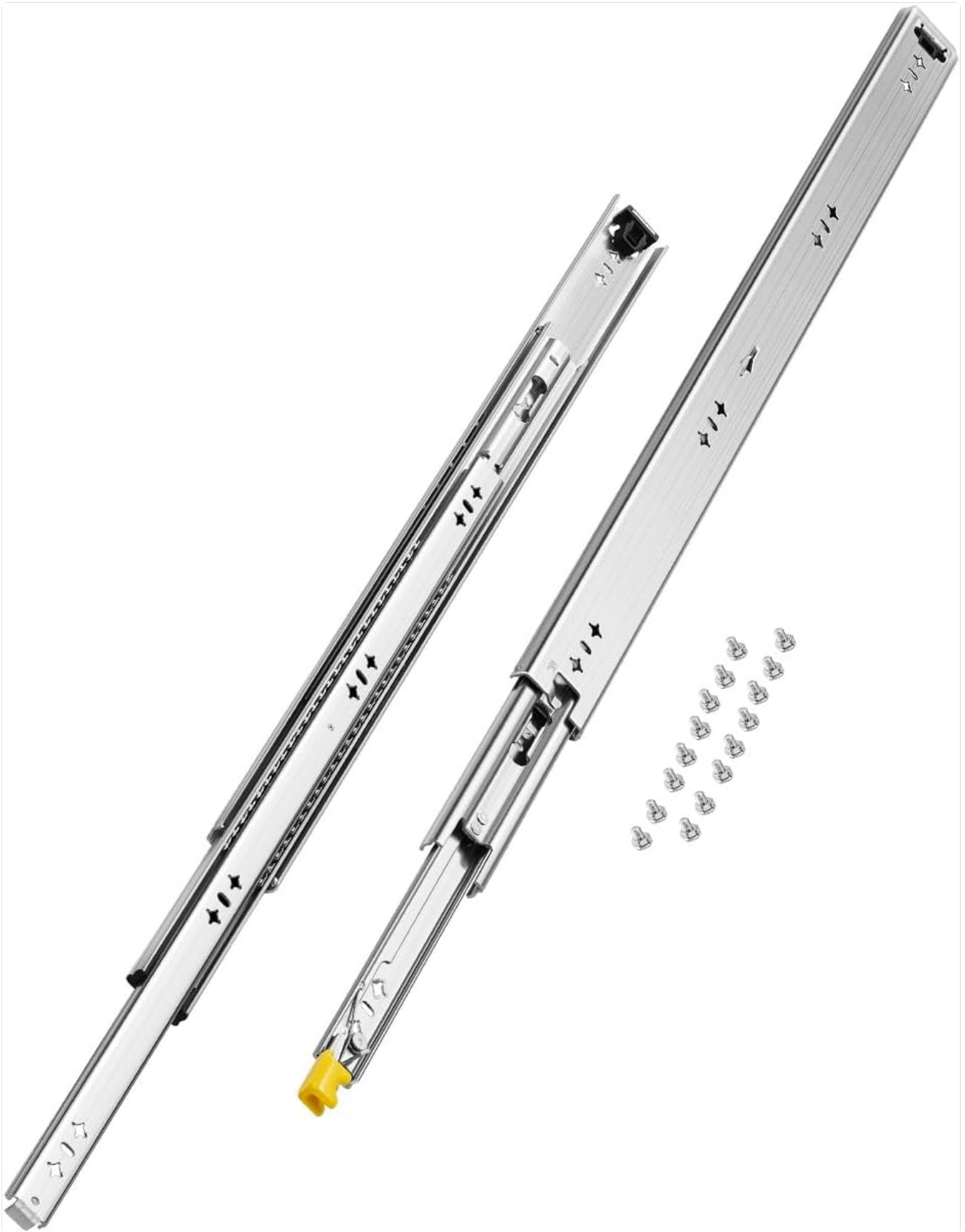


Image: A pair of VEVOR 30 Inch Heavy Duty Drawer Slides with included mounting screws.

KEY FEATURES

- **250 lbs Heavy-Duty Capacity:** Constructed from 0.77 inch (19.5 mm) thick high-hardness steel, these slides support up to 250 lbs. The galvanized finish provides rust and wear resistance, suitable for various applications including shelving,

cabinets, industrial drawers, RVs, trucks, and vending machines.

- **Double Lock Design:** Equipped with a dual locking mechanism, the slides can be locked in both the fully closed and fully extended positions with a simple press. This ensures items remain secure and prevents accidental movement, especially in mobile applications.
- **Smooth & Quiet Operation:** Double-row ball bearings facilitate smooth sliding. Nylon cushioning on the center slides minimizes noise and prevents bouncing during operation.
- **3-Fold Full Extension:** The 3-fold design allows for full extension of the drawer, providing complete access to its contents. Each slide measures approximately 30.71 inches (780 mm) long, 2.09 inches (53 mm) wide, and 0.77 inches (19.5 mm) thick.
- **Optimal Size Selection:** Compatible with most major drawer and cabinet systems. Refer to the specifications and diagrams for detailed measurements to ensure correct sizing for your application.

UP TO 250lbs

250 LBS

Hardness

High Hardness Steel

Sturdy

Sturdy & Durable

Stay Same

Deformation-Resistant

Rust-Proof

Corrosion & Rust-Resistant

Image: Illustration of the 250 lbs load capacity, highlighting hardness, sturdiness, deformation resistance, and rust-proof properties.

Secure Locking Design

Avoid Accidental Slippage



Drawer Fully Closed - Lockable



During Pulling - Not Lockable



Drawer Fully Extended - Lockable

Image: Diagram explaining the secure locking design, indicating when the slide is lockable (fully closed, fully extended) and not lockable (during pulling).

Three Folds Full Extension

Easy Access & Retrieval



Retrofitted Vehicle



Industrial Drawer



Commercial
Equipment



Warehouse
Container

Image: A fully extended drawer in a vehicle's cargo area, demonstrating the 3-fold full extension and its length of 30.71 inches (780mm).

SAFETY INFORMATION

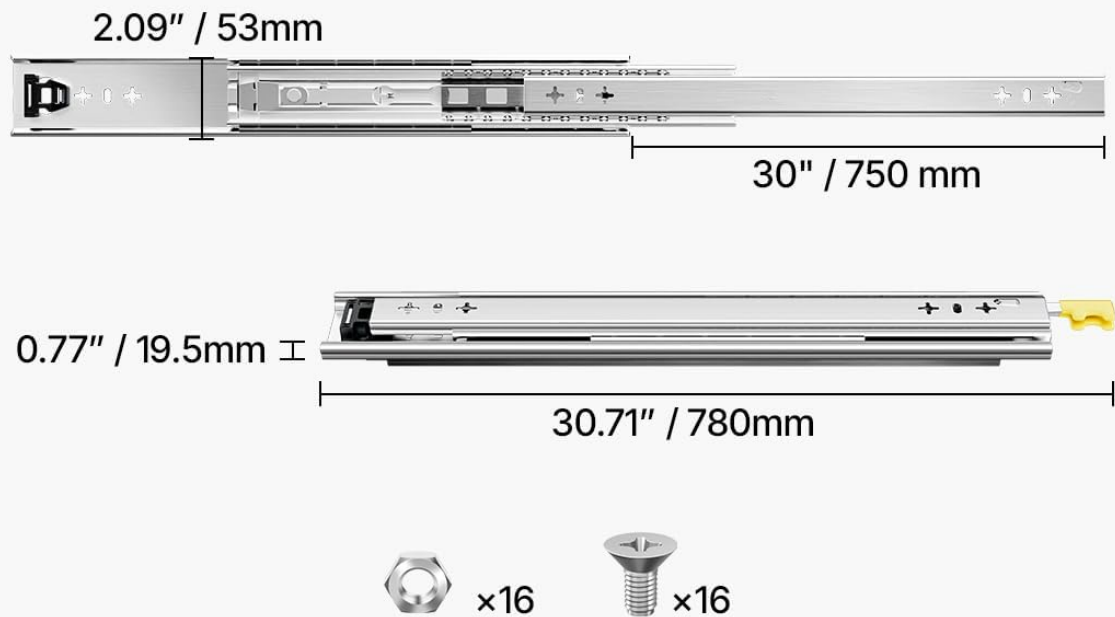
- Always wear appropriate personal protective equipment (PPE), such as safety glasses and gloves, during installation.
- Ensure the mounting surface is stable and capable of supporting the combined weight of the drawer, its contents, and the slides.

- Use the correct type and length of screws for your application to ensure secure fastening.
- Avoid overloading the drawer slides beyond their specified 250 lbs (113.4 kg) weight capacity.
- Keep hands and fingers clear of moving parts during operation to prevent pinching.
- Children should not operate or play near drawers equipped with these slides.

PACKAGE CONTENTS

Upon opening the package, verify that all components are present and undamaged:

- 1 Pair of VEVOR 30 Inch Heavy Duty Drawer Slides
- 16 x Screws
- 16 x Nuts



Item Model Number: **5301/5301Z-30"**

Load Capacity: **250 lbs / 113.4 kg**

Load Capacity (Fully Extended): **176 lbs / 79.83 kg**

Suitable Drawer Length: **30.5" / 774 mm**

Extension Length: **30" / 750 mm**

Net Weight: **9.04 lbs / 4.1 kg**

Product Dimensions:

(Without Lock) 30 × 2.09 × 0.77" / 750 × 53 × 19.5 mm

(With Lock) 30.71 × 2.09 × 0.77" / 780 × 53 × 19.5 mm

Accessories: **16 x Screws 16 x Nuts**

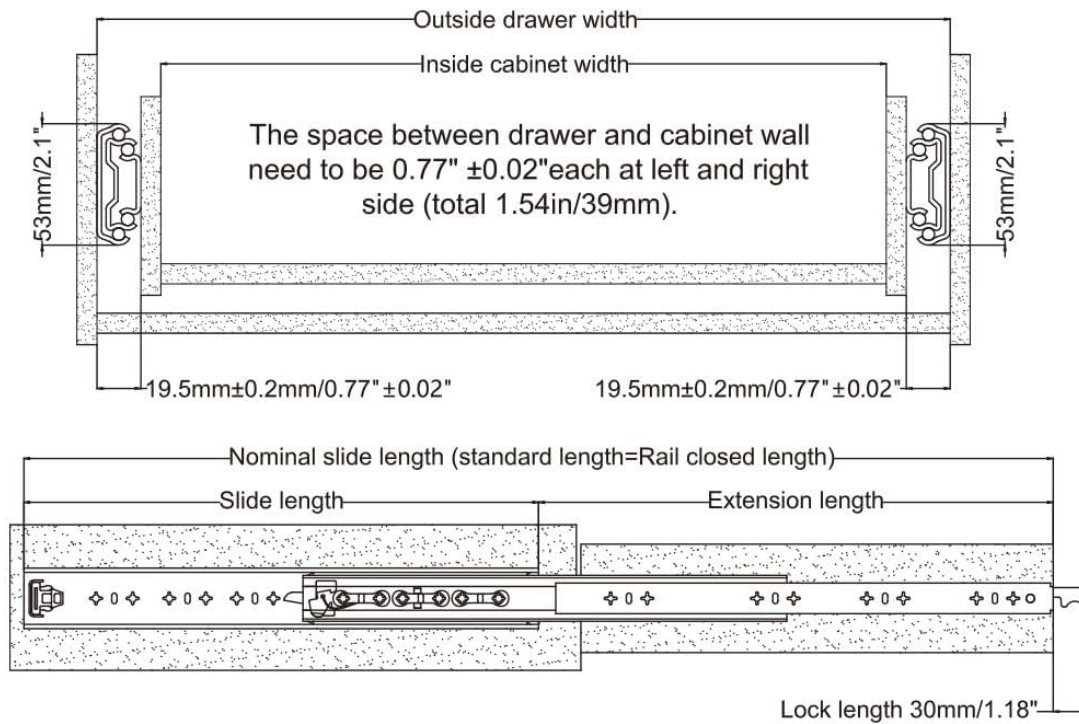
Image: Detailed dimensions of the drawer slide and included accessories (screws and nuts).

SPECIFICATIONS

Brand	VEVOR
Model Number	5301/5301Z-30

Mounting Type	Side Mount
Weight Limit	250 Pounds (113.4 kg)
Material	Alloy Steel
Finish Type	Galvanized
Product Dimensions (With Lock)	30.71"L x 2.09"W x 0.77"Th (780 x 53 x 19.5 mm)
Item Weight	9.04 pounds (4.1 kg)
Included Components	1 Pair Drawer Slides, 16 x Screws, 16 x Nuts

Available Slide Sizes



Slide size	Slide length	Extension length	Drawer length		Minimum cabinet depth
			Min	Max	
16 inch	400mm/15.75"	400mm/15.75"	400mm/15.75"	450mm/17.72"	405mm/15.95"
18 inch	450mm/17.72"	450mm/17.72"	450mm/17.72"	500mm/19.7"	455mm/17.9"
20 inch	500mm/19.7"	500mm/19.7"	500mm/19.7"	550mm/21.65"	505mm/19.88"
24 inch	600mm/23.62"	600mm/23.62"	600mm/23.62"	650mm/25.6"	605mm/23.82"
30 inch	750mm/29.53"	765mm/30.12"	750mm/29.53"	800mm/31.5"	755mm/29.72"
36 inch	900mm/35.43"	900mm/35.43"	900mm/35.43"	950mm/37.4"	905mm/35.63"
38 inch	950mm/37.4"	950mm/37.4"	950mm/37.4"	1000mm/39.37"	955mm/37.6"
60 inch	1500mm/59"	1500mm/59"	1500mm/59"	1550mm/61"	1505mm/59.25"

Image: Technical diagram detailing various slide sizes, extension lengths, and required drawer/cabinet dimensions.

INSTALLATION

Pre-Installation Checklist:

- Verify that the drawer slides are the correct length for your application. The slide length should not be less than or equal to the depth of the drawer.

- Measure the width of your drawer and the available space within the cabinet. The space between the drawer and cabinet wall needs to be approximately 0.77 inches (19.5 mm) at each left and right side (total 1.54 inches / 39 mm).
- Gather necessary tools: measuring tape, pencil, drill, screwdriver, level.

Step-by-Step Installation:

- 1. Separate the Slide Components:** The drawer slides consist of three sections. Gently pull the inner rail (the thinnest part) until it separates from the middle and outer rails. There is usually a small plastic lever or tab that needs to be pressed to release the inner rail.
- 2. Mount the Outer Rail to the Cabinet:**
 - Position the outer rail (the thickest part) inside the cabinet opening, ensuring it is level and at the desired height.
 - Mark the screw hole locations with a pencil.
 - Pre-drill pilot holes if necessary, especially in hardwood.
 - Secure the outer rail to the cabinet using the provided screws. Repeat for the other side of the cabinet.
- 3. Mount the Inner Rail to the Drawer:**
 - Attach the inner rail (the thinnest part) to the side of the drawer. Ensure it is flush with the front edge of the drawer and level.
 - Mark and pre-drill screw holes.
 - Secure the inner rail to the drawer using the provided screws. Repeat for the other side of the drawer.
- 4. Assemble the Drawer into the Cabinet:**
 - Align the inner rails (attached to the drawer) with the middle rails (still attached to the outer rails in the cabinet).
 - Gently push the drawer into the cabinet. You should feel the ball bearings engage and the drawer slide smoothly. Push until the drawer is fully closed and the locking mechanism engages.
- 5. Test Operation:** Open and close the drawer several times to ensure smooth movement and proper engagement of the locking mechanism.



Image: Example of installed drawer slides in a vehicle, showing the full extension capability.

OPERATION

The VEVOR Heavy Duty Drawer Slides are designed for smooth movement and secure locking in both closed and fully extended positions.

- **Opening the Drawer:** To open, simply pull the drawer handle. The locking mechanism will disengage automatically as you pull.
- **Full Extension:** Continue pulling the drawer until it reaches its full extension. The 3-fold design allows for complete access to the drawer's contents. At full extension, the double-lock mechanism will engage to hold the drawer securely in place.
- **Closing the Drawer:** To close from the fully extended position, press the locking lever (typically a yellow tab at the end of the slide) to release the lock, then push the drawer back into the cabinet. The drawer will lock automatically when fully closed.

- **Locking Mechanism:** The double-lock design ensures the drawer remains stationary when fully closed or fully extended. This is particularly useful for applications in vehicles or environments where movement might cause accidental opening or closing.

Smooth & Silent Sliding

**Nylon Pad to
Ensure Low Noise**



Image: Internal view of the slide mechanism, showing ball bearings and nylon cushioning for smooth and quiet operation.

Regular maintenance helps ensure the longevity and smooth operation of your drawer slides.

- **Cleaning:** Periodically wipe down the slides with a clean, damp cloth to remove dust and debris. Avoid using abrasive cleaners or solvents that could damage the galvanized finish or internal components.
- **Lubrication:** If the slides begin to feel stiff or noisy, apply a small amount of silicone-based lubricant or dry film lubricant to the ball bearings and sliding surfaces. Do not use grease or oil-based lubricants as they can attract dirt and dust.
- **Inspection:** Regularly inspect the slides for any signs of wear, damage, or loose fasteners. Tighten any loose screws immediately. If any part is significantly damaged, consider replacing the slide to maintain safety and functionality.

TROUBLESHOOTING

Problem	Possible Cause	Solution
Drawer does not slide smoothly.	Accumulation of dirt/debris; lack of lubrication; misaligned slides.	Clean the slides and ball bearings. Apply a silicone-based lubricant. Check alignment and re-adjust if necessary.
Drawer does not lock in closed or extended position.	Locking mechanism obstructed or damaged; drawer not fully closed/extended.	Ensure the drawer is pushed/pulled completely into position. Inspect the locking tab for obstructions or damage. If damaged, replacement may be required.
Drawer is difficult to open or close.	Overloaded drawer; misaligned slides; damaged ball bearings.	Reduce the weight in the drawer. Check slide alignment. Inspect ball bearings for damage; if several are missing or damaged, the slide may need replacement.
Drawer wobbles or feels loose.	Loose mounting screws; improper installation; worn components.	Tighten all mounting screws on both the drawer and cabinet sides. Re-check installation for proper alignment. If components are worn, consider replacement.

WARRANTY AND SUPPORT

VEVOR products are manufactured to high-quality standards. For specific warranty information, please refer to the documentation included with your purchase or visit the official VEVOR website. If you encounter any issues or require technical assistance, please contact VEVOR customer support through their official channels. When contacting support, please have your model number (5301/5301Z-30) and purchase details readily available.

For more information, visit the [VEVOR Store on Amazon](#).

