

## SATHIBI 1516

# SATHIBI Tanjiro Sword Building Set Instruction Manual

Model: Tanjirou Sword (Model 1516)

## INTRODUCTION

---

This manual provides detailed instructions for assembling, operating, and maintaining your SATHIBI Tanjiro Sword Building Set. This highly detailed building block set allows you to construct a replica of Kamado Tanjiro's sword from the anime Demon Slayer, complete with a scabbard and display stand. Designed for enthusiasts, this 759-piece set offers an engaging building experience and results in an impressive display piece.



Image: The fully assembled Tanjiro Sword, scabbard, and display stand.

## SAFETY INFORMATION

- **Recommended Age:** This building set is intended for individuals aged 14 years and older (Manufacturer Minimum Age: 168 months).
- **Small Parts Warning:** The set contains small parts which may pose a choking hazard for young children. Keep out of reach of children under 3 years.
- **Handling:** While designed for display, handle the assembled model with care to prevent accidental disassembly or damage.
- **Intended Use:** This product is a model building set and is not intended for use as a weapon or for combat play.

## PACKAGE CONTENTS

Before beginning assembly, please verify that all components are present in your package:

- 759 Building Block Pieces (for sword, scabbard, and stand)
- Instruction Manual (this document)

If any pieces are missing or damaged, please refer to the Customer Support section.

## SETUP: ASSEMBLY INSTRUCTIONS

Follow the step-by-step instructions provided in the included printed manual to assemble your Tanjiro Sword, scabbard, and display stand. Organize your pieces before starting to ensure a smooth building process.

1. **Unpack and Sort:** Carefully open all bags containing building blocks. It is recommended to sort pieces by color, size, or type to facilitate easier assembly.
2. **Review Instructions:** Familiarize yourself with the assembly steps by reviewing the entire instruction booklet before you begin.
3. **Assemble the Sword:** Begin by constructing the main blade and hilt of the Tanjiro sword according to the diagrams. Pay close attention to the orientation of each block.
4. **Assemble the Scabbard:** Once the sword is complete, proceed with assembling the scabbard. Ensure the internal dimensions allow the sword to fit smoothly.
5. **Assemble the Display Stand:** Finally, construct the display stand. This stand is designed to securely hold both the sword and its scabbard.
6. **Final Check:** After completing all steps, gently test the connections of all parts to ensure stability.



Image: Detailed views of the sword components, scabbard, and display stand, illustrating the intricate design.

## OPERATING THE DISPLAY MODEL

This building set is designed as a static display model. Once assembled, you can place the sword and scabbard on the provided display stand.

- **Placement:** Position the assembled sword on the display stand. The stand is designed to hold the sword securely.
- **Scabbard:** The scabbard can be placed alongside the sword on the stand or held separately. The sword can be sheathed and unsheathed from the scabbard.
- **Display Location:** Choose a stable, flat surface away from direct sunlight, excessive heat, or high humidity to prevent material degradation.



Image: The assembled sword and scabbard displayed on the custom stand.



8+



759PCS



Image: A close-up view of the sword's hilt and blade details while on the display stand.

## MAINTENANCE

Proper care will help maintain the appearance and integrity of your building set.

- **Cleaning:** Dust the model regularly with a soft, dry cloth or a soft brush. For stubborn dirt, a slightly damp cloth can be used, but avoid excessive moisture.
- **Avoid Chemicals:** Do not use harsh chemicals, abrasive cleaners, or solvents, as these can damage the plastic material and printed details.
- **Storage:** If disassembling for storage, keep all pieces in a sealed container to prevent loss and protect from dust.

## TROUBLESHOOTING

Here are solutions to common issues you might encounter:

- **Missing Pieces:** If you discover missing pieces during assembly, carefully re-check all packaging and sorting areas. If pieces are still missing, contact customer support with details of the missing parts.

- **Loose Connections:** Ensure that each block is firmly pressed into place. Sometimes, a slight twist or extra pressure is needed to secure connections.
- **Difficulty Following Instructions:** Review the diagrams carefully. If a step is unclear, try looking at subsequent steps for context or re-examining the previous steps.

## SPECIFICATIONS

<b>Brand</b>	SATHIBI
<b>Model Name</b>	Tanjirou Sword
<b>Model Number</b>	1516
<b>Number of Pieces</b>	759
<b>Assembled Length</b>	Approximately 40 inches (101 cm)
<b>Material</b>	ABS Plastic
<b>Recommended Age</b>	14+ years (168 months minimum)
<b>Assembly Required</b>	Yes
<b>Operation Mode</b>	Manual (for assembly and display)

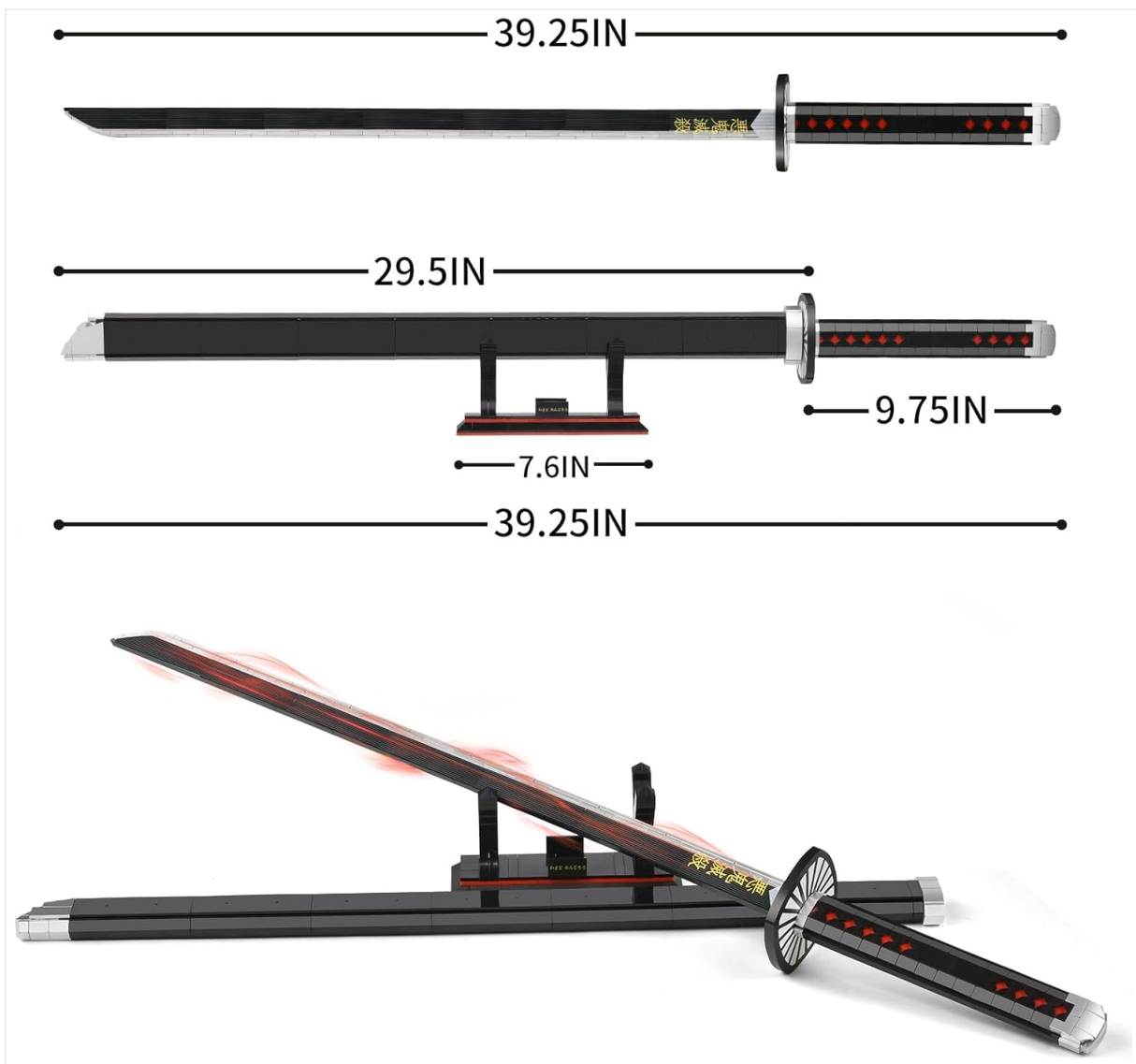


Image: Dimensional overview of the assembled sword and scabbard.

## RETURN POLICY

This product is subject to a 30-day return policy for refund or replacement. Please refer to the retailer's specific return guidelines for detailed information regarding eligibility and process.

## CUSTOMER SUPPORT

For further assistance, inquiries about missing parts, or any other support needs, please visit the official SATHIBI store or contact your retailer.

SATHIBI Store: <https://www.amazon.com/stores/SATHIBI/page/02A5537E-CF39-498C-B66A-9049E8807F3F>