

## Manuals+

[Q & A](#) | [Deep Search](#) | [Upload](#)

manuals.plus /

› [CAMECHO](#) /

› [CAMECHO Reverse Camera for Renault Trafic / Opel Vauxhall Vivaro / Combo - Instruction Manual](#)

## CAMECHO B0DY7HBWN4

# CAMECHO Reverse Camera Instruction Manual

For Renault Trafic (2001-2014), Opel Vauxhall Vivaro (2001-2014), and Combo (2001-2011)

## 1. INTRODUCTION

---

This manual provides detailed instructions for the installation, operation, and maintenance of your CAMECHO Reverse Camera. Please read this manual thoroughly before installation and use to ensure proper function and safety. This camera is designed to enhance rear visibility for specific vehicle models, aiding in safer reversing and parking maneuvers.

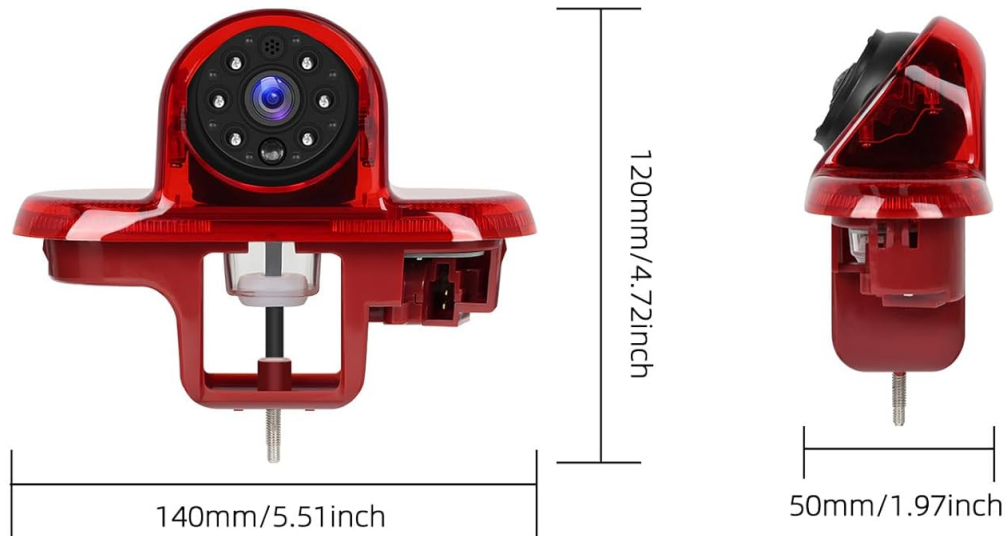
## 2. PRODUCT OVERVIEW

---

### 2.1 Components Included

- CAMECHO Reverse Camera (integrated into brake light housing)
- 10m Video Extension Cable (RCA)
- 20cm Video Adapter
- 1m Power Cord
- User Manual

## Packing List & Size



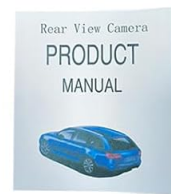
10m Video Extension Cable



20cm Video Adapter



1m Power Cord



User Manual

Image: Contents of the product package, including the camera, cables, and user manual, alongside dimensional measurements of the camera unit.

### 2.2 Key Features

- **High-Mount Brake Light Integration:** Designed to replace the original high-mount brake light for a seamless factory-like appearance.
- **IP67 Waterproof Rating:** Ensures reliable operation in various weather conditions, resistant to dust and water immersion.
- **IR Night Vision:** Equipped with infrared LEDs and a photosensitive sensor for clear visibility in low-light or nighttime conditions.
- **140-Degree Wide Angle Lens:** Provides an expansive view of the area behind the vehicle, minimizing blind spots.
- **AHD 720P & CVBS Image Output:** Supports both Analog High Definition (AHD) 720P and Composite Video Broadcast Signal (CVBS) outputs, switchable via a control line.

# IP67 Waterproof

Fearless of wind and rain, it ensures that the backup camera works stably in any environment and captures every important moment clearly.



Image: The reverse camera unit shown in a rainy environment, illustrating its IP67 waterproof capability.

# HD IR Night Vision

Day or night, the infrared camera ensures clear visibility and 24/7 security, giving you complete peace of mind.

**6** pcs  
Infrared LEDs

**1** pcs  
Photosensitive sensor

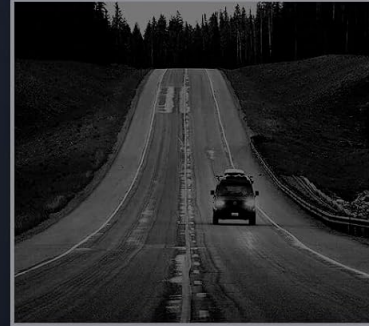


Image: The reverse camera highlighting its HD IR Night Vision capability with 6 infrared LEDs and a photosensitive sensor, showing a clear night view comparison.

# 140° Wide Angle

Expand your horizons and have a panoramic view! Large angle lens, presenting you with more detailed images.



Image: A visual representation of the 140-degree wide-angle view provided by the camera, showing an expanded panoramic perspective behind a vehicle.

### 3. COMPATIBILITY

This CAMECHO Reverse Camera is specifically designed for the following vehicle models:

- **Renault Traffic:** 2001-2014 models
- **Opel Vauxhall Vivaro:** 2001-2014 models
- **Combo:** 2001-2011 models

Ensure your vehicle matches these specifications for proper fitment and function.



Image: Depicts the reverse camera installed on the rear of a van, with illustrations of compatible vehicles: Renault Traffic (2001-2014), Renault Combo (2001-2011), and Renault Vauxhall Vivaro (2001-2014).

## 4. SETUP AND INSTALLATION

Professional installation is recommended for this product. Incorrect wiring can damage the camera or vehicle electrical system.

### 4.1 Wiring Diagram

Follow the wiring diagram carefully to connect the camera to your vehicle's power supply and display monitor.

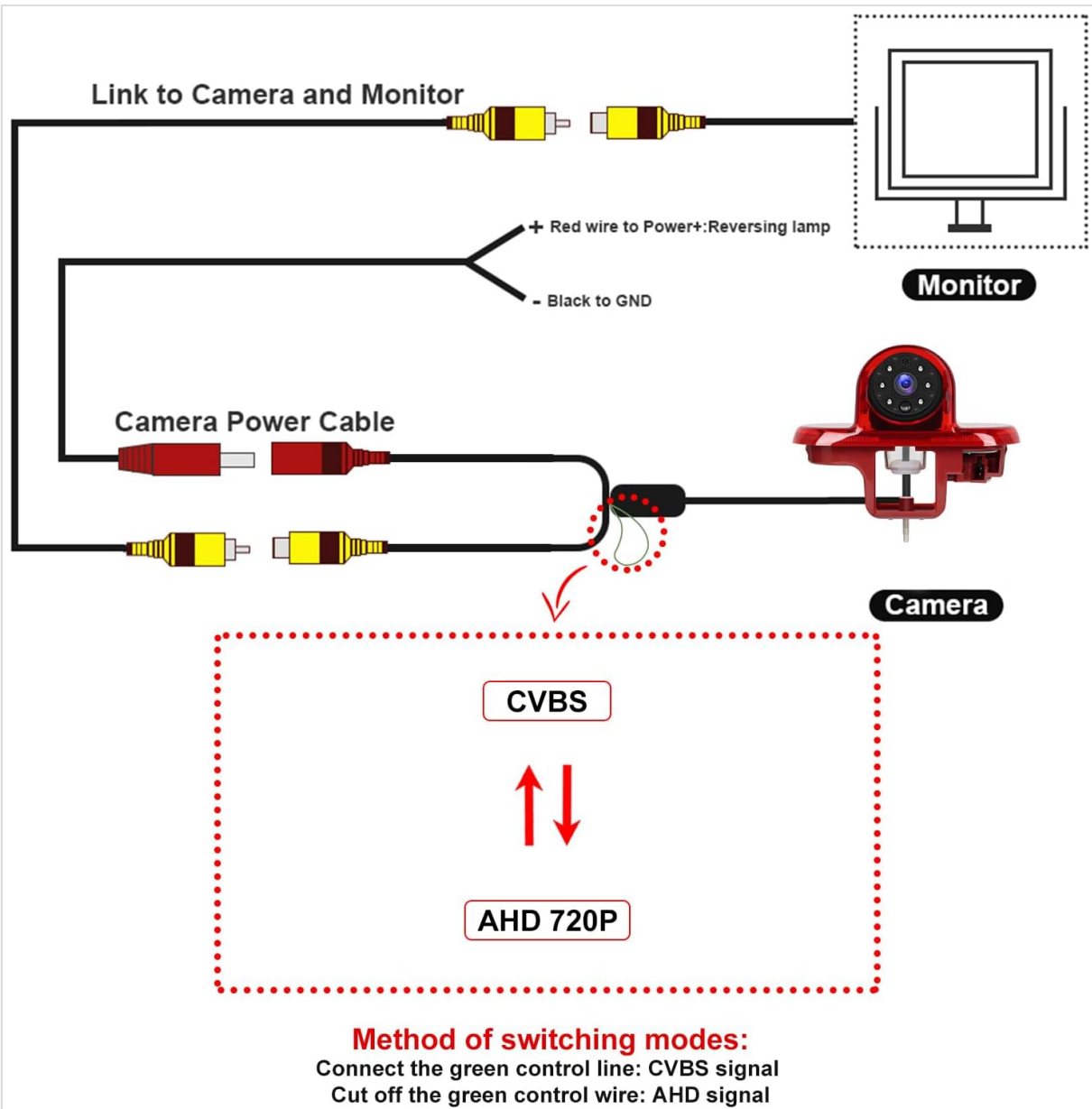


Image: A detailed wiring diagram showing connections from the camera to the monitor. The camera power cable connects to the reversing lamp (red wire to Power+, black to GND). The video signal connects via RCA to the monitor.

## 4.2 Connection Steps

1. **Mount the Camera:** Replace the existing high-mount brake light with the CAMECHO camera unit. Ensure a secure fit.
2. **Connect Power:** Connect the camera's red power wire to the vehicle's reversing lamp positive (+) and the black ground wire to a suitable chassis ground (-). This ensures the camera activates when reverse gear is engaged.
3. **Connect Video Cable:** Run the 10m video extension cable from the camera to your display monitor (e.g., car stereo with screen, dedicated monitor). Connect the yellow RCA connectors.
4. **Signal Mode Selection (AHD/CVBS):** The camera supports both AHD 720P and CVBS video signals. To switch between modes, locate the green control line on the camera's wiring harness.
  - **For CVBS signal:** Connect the green control line.
  - **For AHD 720P signal:** Cut off the green control line.

**Note:** Ensure your display monitor supports the selected video signal type (AHD or CVBS). If your monitor does not support AHD, use the CVBS signal.

# AHD 720P & CVBS Image

Connect the green control line, the reversing line will display



Image: Illustrates the difference between AHD 720P and CVBS image quality, and shows how to switch between these modes by connecting or cutting the green control line.

## 4.3 Important Installation Notes

- Ensure all connections are secure and insulated to prevent short circuits.
- Route cables carefully to avoid pinching, abrasion, or interference with vehicle moving parts.
- Test the camera functionality before reassembling all vehicle panels.

## 5. OPERATING INSTRUCTIONS

Once properly installed, the CAMECHO Reverse Camera operates automatically when the vehicle is shifted into reverse gear.

1. **Power On:** Turn on your vehicle's ignition.
2. **Engage Reverse Gear:** Shift the vehicle's transmission into reverse.
3. **View Display:** The image from the reverse camera will automatically appear on your connected display monitor.
4. **Parking Guidelines:** The camera provides parking guidelines on the display to assist with parking maneuvers.

## 5.1 Display Compatibility

The camera output can be displayed on various compatible monitors, including:

- Aftermarket car stereos with video input.
- Dedicated rearview monitors.
- Other displays supporting CVBS PAL or AHD 720P PAL mirror image formats.

# Two adjustable formats for more displays

- 1 CVBS PAL mirror image with backup line
- 2 AHD 720P PAL mirror image without backup line



### Method of switching modes:

Connect the green wire: CVBS signal

Cut the green wire: AHD signal

Image: Shows various types of monitors (car stereos, dedicated screens) that can display the camera feed, and reiterates the method for switching between CVBS and AHD signal modes.

## 6. MAINTENANCE

To ensure the longevity and optimal performance of your CAMECHO Reverse Camera, follow these

maintenance guidelines:

- **Regular Cleaning:** Periodically clean the camera lens with a soft, damp cloth to remove dirt, dust, or water spots that may obstruct the view. Avoid abrasive cleaners.
- **Inspect Wiring:** Occasionally check the visible wiring for any signs of wear, damage, or loose connections. Address any issues promptly.
- **Avoid High-Pressure Washing:** While the camera is IP67 waterproof, direct high-pressure water jets at close range should be avoided, as they can potentially compromise seals over time.
- **Environmental Considerations:** The camera is designed for outdoor use. Extreme temperatures or prolonged exposure to harsh chemicals should be avoided.

## 7. TROUBLESHOOTING

If you encounter issues with your reverse camera, refer to the following troubleshooting steps:

Problem	Possible Cause	Solution
No image on display	<ul style="list-style-type: none"><li>• Loose power or video connection</li><li>• Incorrect signal mode (AHD/CVBS)</li><li>• Faulty camera or monitor</li><li>• No power to camera</li></ul>	<ul style="list-style-type: none"><li>• Check all wiring connections for security.</li><li>• Verify the green control line is set correctly for your monitor's input (connected for CVBS, cut for AHD).</li><li>• Ensure the camera is receiving 12V power when reverse is engaged.</li><li>• Test with a known working monitor or camera if possible.</li></ul>
Poor image quality (blurry, distorted)	<ul style="list-style-type: none"><li>• Dirty camera lens</li><li>• Incorrect signal mode</li><li>• Interference in video cable</li><li>• Low light conditions (if IR not active)</li></ul>	<ul style="list-style-type: none"><li>• Clean the camera lens.</li><li>• Confirm the signal mode matches your monitor's capabilities.</li><li>• Ensure video cable is not damaged or routed near strong electrical interference.</li><li>• Verify IR night vision is functioning in low light.</li></ul>
Image flickers or cuts out	<ul style="list-style-type: none"><li>• Loose connection</li><li>• Power fluctuation</li><li>• Cable damage</li></ul>	<ul style="list-style-type: none"><li>• Check all power and video connections.</li><li>• Ensure stable 12V power supply to the camera.</li><li>• Inspect video cable for damage.</li></ul>
Parking lines not visible/incorrect	<ul style="list-style-type: none"><li>• Camera setting (if adjustable)</li><li>• Monitor setting</li></ul>	<ul style="list-style-type: none"><li>• Most cameras have fixed parking lines. If adjustable, refer to camera/monitor manual.</li></ul>

### 7.1 Compatibility Notes

Please note the following specific compatibility limitations:

- Android Auto does not support Huawei phones.
- Mirror Link functionality does not support Samsung models.

## 8. SPECIFICATIONS

Feature	Specification
Brand	CAMECHO
Model	B0DY7HBWN4
Voltage	12 Volts
Actual Viewing Angle	140 Degrees
Waterproof Rating	IP67
Night Vision	IR Night Vision (6 pcs Infrared LEDs, 1 pc Photosensitive sensor)
Video Output	AHD 720P / CVBS (Switchable)
Product Dimensions	14 x 5 x 12 cm
Product Weight	100 g

## 9. WARRANTY AND SUPPORT

For warranty information and technical support, please refer to the documentation provided with your purchase or contact CAMECHO customer service through the retailer where the product was purchased. Keep your purchase receipt as proof of purchase.