



Manuals.plus /

› AECOJOY /

› AECOJOY 9ft Wall Mounted Outdoor Patio Umbrella (Model 19019SG) Instruction Manual

## AECOJOY 19019SG

# AECOJOY 9ft Wall Mounted Outdoor Patio Umbrella Instruction Manual

Model: 19019SG

Installation    Operation    Safety Information    Package Contents    Setup &  
Maintenance    Troubleshooting    Specifications    Warranty & Support

## INTRODUCTION

This manual provides detailed instructions for the safe and efficient use of your AECOJOY 9ft Wall Mounted Outdoor Patio Umbrella. Please read this manual thoroughly before installation and operation, and retain it for future reference. This umbrella is designed to provide shade and UV protection for outdoor spaces such as balconies, patios, decks, and gardens.

## SAFETY INFORMATION

- **Wind Conditions:** Always close the umbrella during windy conditions, heavy rain, or storms to prevent damage to the umbrella and potential injury.
- **Installation:** Ensure the umbrella is securely mounted to a sturdy wall (concrete, wooden, or brick) by a qualified individual or following all instructions carefully. Improper installation can lead to instability and hazards.
- **Clearance:** Maintain adequate clearance around the umbrella when opening, closing, and rotating to avoid obstructions or collisions.
- **Children and Pets:** Keep children and pets away from the umbrella during operation to prevent accidents.
- **Maintenance:** Regularly inspect all components for wear, damage, or loose fasteners. Do not use the umbrella if any part is damaged.
- **Cleaning:** Use only mild soap and water for cleaning. Avoid harsh chemicals that may damage the fabric or frame.

## PACKAGE CONTENTS

Before beginning assembly, ensure all parts listed below are present and undamaged. If any parts are missing or

damaged, do not proceed with assembly and contact customer support.

- Umbrella Canopy
- Wall Mounting Bracket
- Support Arm Assembly
- Hardware Kit (screws, anchors, washers)
- User Manual (this document)

## SETUP & INSTALLATION

---

This umbrella is designed for wall mounting. Choose a sturdy wall surface such as concrete, wood, or brick. Ensure the chosen location provides adequate clearance for the umbrella's full extension and rotation.

### Step 1: Mark Mounting Position

Hold the wall mounting bracket against the desired installation spot on the wall. Use a pencil to mark the positions for drilling holes. Ensure the bracket is level before marking.

### Step 2: Drill Holes

Using an appropriate drill bit for your wall type (e.g., masonry bit for concrete/brick, wood bit for wood), drill pilot holes at the marked positions. The depth and diameter of the holes should match the provided anchors and screws.

### Step 3: Install Wall Anchors (if applicable)

For concrete or brick walls, insert the appropriate wall anchors into the drilled holes. Tap them gently with a hammer until they are flush with the wall surface.

### Step 4: Secure Mounting Bracket

Align the wall mounting bracket with the drilled holes. Insert the screws through the bracket and into the anchors (or directly into wood studs). Tighten all screws firmly using a screwdriver or wrench until the bracket is securely fastened to the wall. Do not overtighten.

### Step 5: Attach Umbrella Assembly

Carefully attach the main support arm assembly of the umbrella to the wall mounting bracket. Follow the specific connection mechanism provided with your hardware. Ensure all locking pins or bolts are engaged and tightened as per instructions.



*Image: The AECOJOY 9ft Wall Mounted Outdoor Patio Umbrella securely installed on a wall, providing shade over a patio area.*

## OPERATING INSTRUCTIONS

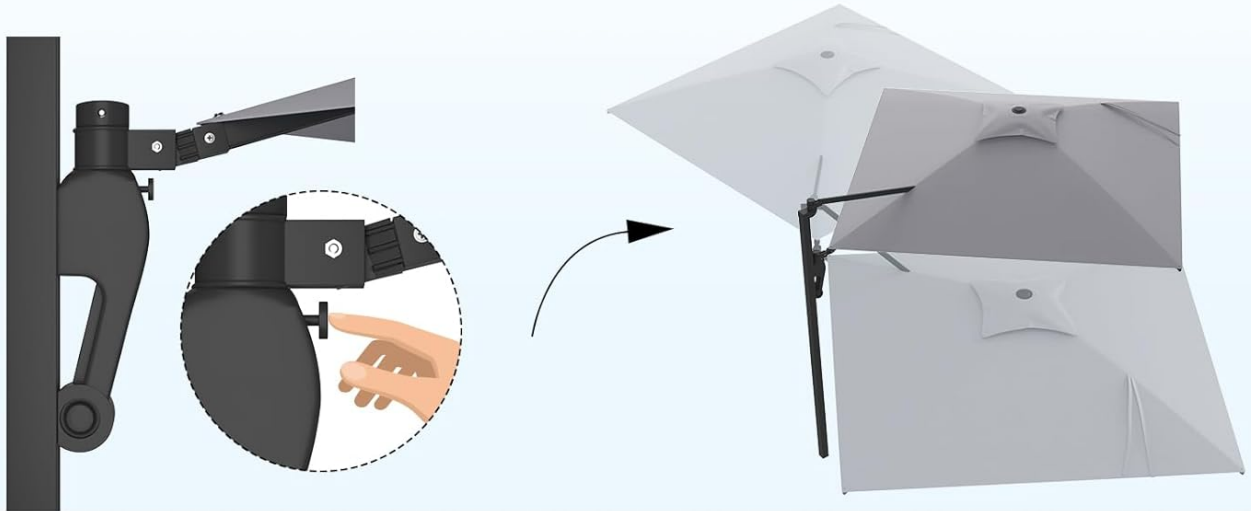
---

### Opening the Umbrella

1. Gently pull the umbrella canopy downwards from its folded position.
2. Locate the push-handle system on the main support arm.
3. Push the handle to extend the umbrella canopy fully until it locks into place. Ensure the canopy is taut and stable.

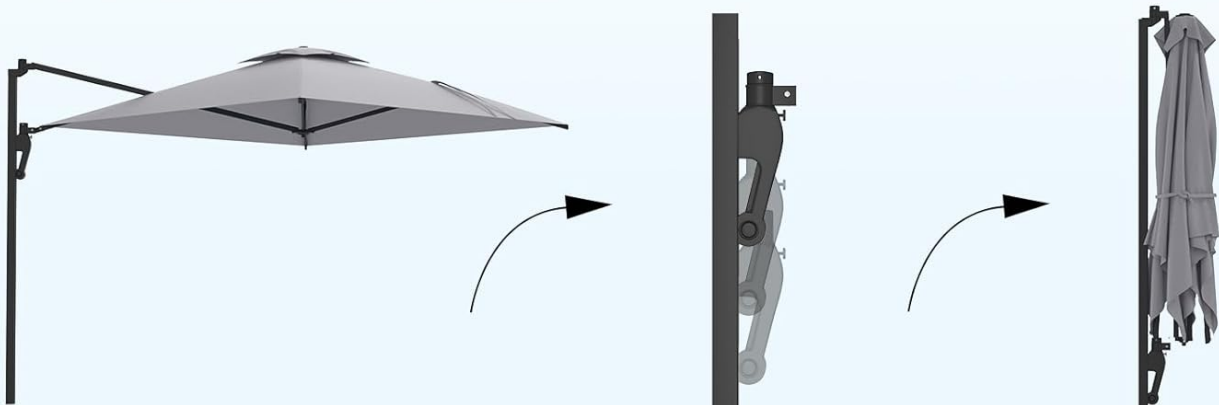
# 180° ROTATING CANOPY

Press the button, then rotate the umbrella



## EASY OPERATION

Open and close the umbrella with the manual mechanism and slide



*Image: Visual guide demonstrating the 180° rotation and the easy operation mechanism for opening and closing the umbrella.*

### Closing the Umbrella

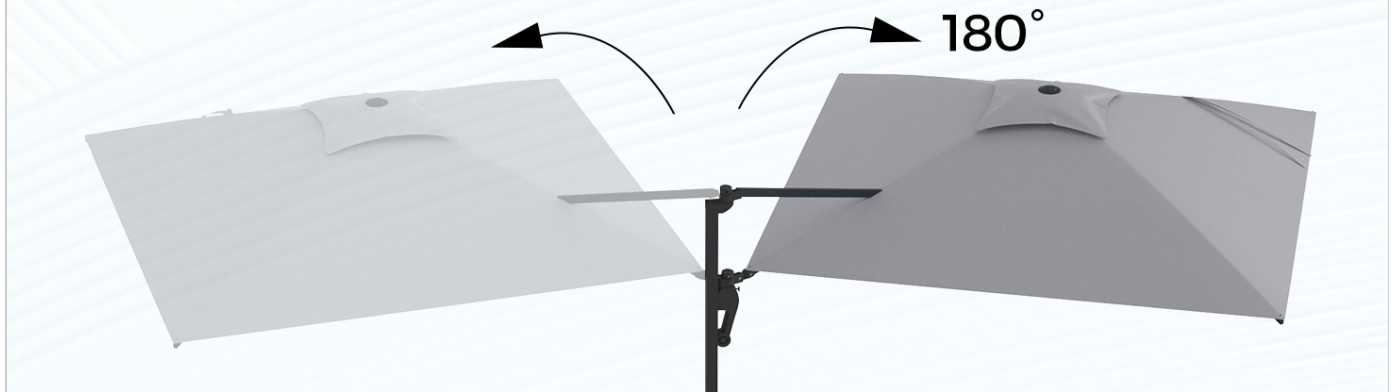
1. Locate the push-handle system.
2. Press the release button or mechanism on the handle and gently guide the canopy upwards to fold it.
3. Ensure the umbrella is fully folded and secured against the wall to prevent accidental opening, especially during windy conditions.

### 180° Canopy Rotation

1. To adjust the shade angle, locate the rotation mechanism on the support arm.
2. Press the button or release lever on the mechanism.
3. Gently rotate the umbrella canopy up to 90° to the left or 90° to the right.
4. Release the button/lever to lock the canopy in the desired position.

# 180 Degree Rotation

More shade where you need



*Image: Illustration showing the 180-degree rotation capability of the umbrella canopy for optimal shade positioning.*

## Video Demonstration: Umbrella Operation

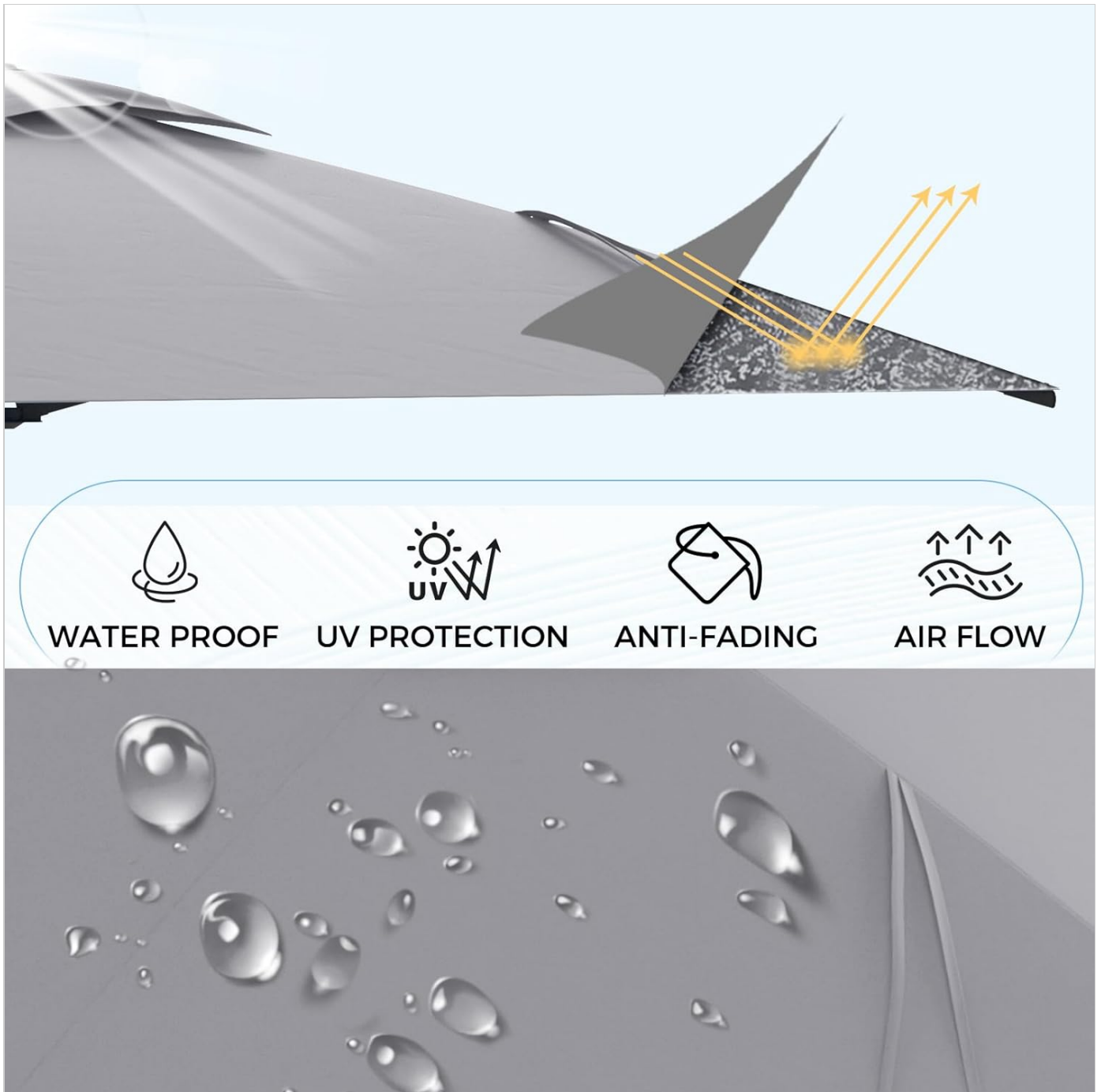
Your browser does not support the video tag.

*Video: This video demonstrates the process of opening, rotating, and closing the AECOJOY Wall Mounted Patio Umbrella, showcasing its ease of use and functionality.*

## MAINTENANCE

---

- **Cleaning the Canopy:** The 100% premium polyester canopy is water-resistant and fade-resistant. To clean, wipe with a dry cloth or a damp cloth using mild soap and water. Rinse thoroughly and allow to air dry completely before folding or storing. Do not use bleach or harsh abrasives.
- **Frame Care:** The rust-resistant powder-coated aluminum pole and steel ribs should be wiped clean with a dry cloth periodically to remove dust and debris. Inspect for any signs of rust or damage.
- **Seasonal Storage:** For prolonged periods of non-use or during harsh weather conditions, it is recommended to remove the canopy or cover the entire umbrella with a protective cover to extend its lifespan.
- **Fastener Check:** Periodically check all screws and bolts to ensure they remain tight. Retighten as necessary to maintain stability.



*Image: Features of the umbrella canopy, highlighting its water-resistant, UV protective, anti-fading, and air-flow properties.*

## TROUBLESHOOTING

---

Problem	Possible Cause	Solution
Umbrella difficult to open/close.	Mechanism might be stiff or obstructed.	Ensure no debris is blocking the sliding mechanism. Apply a silicone-based lubricant to moving parts if necessary. Do not force the mechanism.
Umbrella feels unstable after installation.	Mounting screws are loose or wall surface is not strong enough.	Check and retighten all mounting screws. Verify the wall material is suitable and anchors are correctly installed. If the wall is compromised, relocate or reinforce the mounting area.
Canopy does not rotate smoothly.	Rotation mechanism is stiff or obstructed.	Ensure the rotation release button is fully pressed. Check for any debris in the rotation joint. Clean and apply lubricant if needed.
Umbrella damaged by wind.	Umbrella was left open during high winds.	Always close and secure the umbrella when not in use or during adverse weather conditions. Damage from wind is typically not covered under warranty.

## SPECIFICATIONS

---

**Model:** 19019SG

**Brand:** AECOJOY

**Canopy Size:** 9 FT (Rectangular)

**Canopy Material:** 160G Polyester

**Frame Material:** Powder-Coated Aluminum Pole, Steel Ribs

**Color:** Grey

**Rotation:** 180° (90° left, 90° right)

**Opening Mechanism:** Manual Push-Handle System

**Special Features:** UV Resistant, Water Resistant, Fade Resistant, Wind Resistance (up to 36mph when properly secured)

**Item Weight:** 22 Pounds

**Dimensions (W x H):** 111.42"W x 70.47"H (when open)

# 10\*9 FT RECTANGLE SHADE

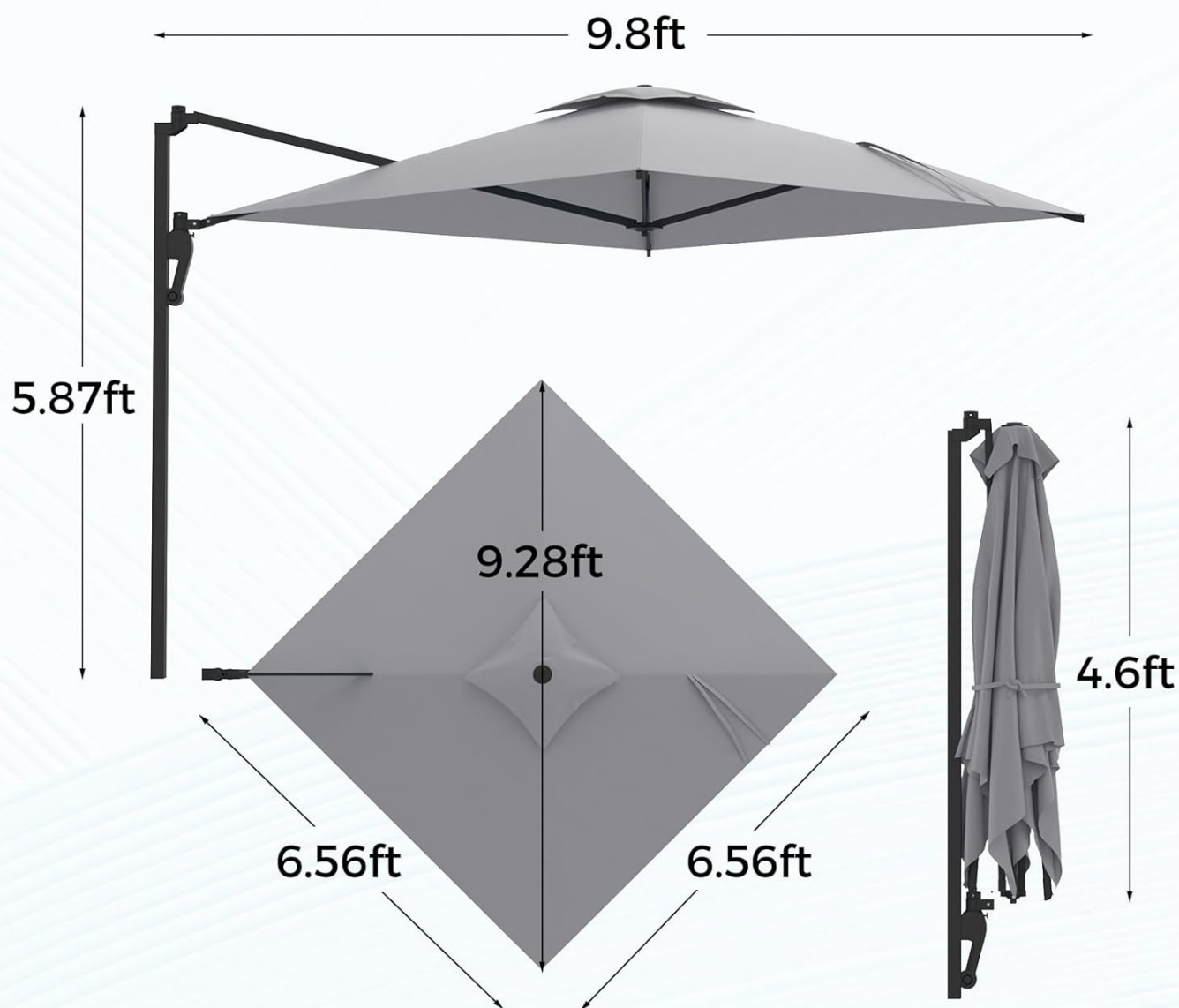


Image: Detailed dimensions of the AECOJOY 9ft Wall Mounted Outdoor Patio Umbrella, including canopy width, height, and folded dimensions.

# SUPERIOR STRUCTURAL SUPPORT



Thick and  
stable enough



36mph wind  
resistance

*Image: Close-up view of the umbrella's robust frame, highlighting its superior structural support and wind resistance capabilities.*

## WARRANTY & SUPPORT

---

For warranty information or technical support, please refer to the product packaging or contact AECOJOY customer service directly. Keep your purchase receipt as proof of purchase for any warranty claims.

**Contact Information:** Please visit the official AECOJOY website or refer to your purchase documentation for the most current customer service contact details.

