

Manuals+

[Q & A](#) | [Deep Search](#) | [Upload](#)

Manuals.plus /

› [DOYO](#) /

› DOYO 270 Degree Wireless Gaming Steering Wheel with Pedals User Manual (Model B0DXPJZ396)

DOYO 270 Degree Racing Wheel (B0DXPJZ396)

DOYO 270 Degree Wireless Gaming Steering Wheel with Pedals User Manual

Model: B0DXPJZ396

INTRODUCTION

Thank you for choosing the DOYO 270 Degree Wireless Gaming Steering Wheel with Pedals. This manual provides essential information for setting up, operating, and maintaining your racing wheel. Please read these instructions carefully before use to ensure optimal performance and longevity of your device.

PRODUCT OVERVIEW

The DOYO Gaming Steering Wheel is designed for a realistic racing experience across multiple platforms. It features a 270-degree rotation, dual-vibration motors, and includes a set of pedals for acceleration and braking.

WIRELESS RACING WHEEL



COMPATIBLE FOR
SWITCH

COMPATIBLE FOR
P4 / P3

COMPATIBLE FOR
iOS / ANDROID

COMPATIBLE FOR
PC

Figure 1: Front view of the DOYO Wireless Gaming Steering Wheel with Pedals.

Controls and Indicators



Figure 2: Detailed diagram of the steering wheel's buttons, D-Pad, triggers, and indicators.

- **Select Button:** Used for various in-game selections.
- **D-Pad:** Directional input for menu navigation and in-game controls.
- **A/B/X/Y Buttons:** Standard action buttons.
- **Pause/Start Button:** For pausing games or starting new sessions.
- **HOME Button:** Returns to the system's home screen.
- **ZR/ZL Triggers:** Analog triggers for acceleration and braking (functionality may vary by platform, e.g., ZR = A, ZL = B on Switch).
- **M Indicator:** Settings indicator.
- **Indicators 1/2/3/4:** Display current dead zone and sensitivity settings.

SETUP

Follow these steps to set up your DOYO Gaming Steering Wheel.

Powering the Device

- The steering wheel requires 3 AAA batteries (not included) for operation. Insert them into the battery compartment located on the underside of the unit, ensuring correct polarity.

Mounting the Steering Wheel

The steering wheel features a stable fixture clamp design compatible with various desktop thicknesses.

Stable Fixture

Compatible with Various Desktop Thicknesses.

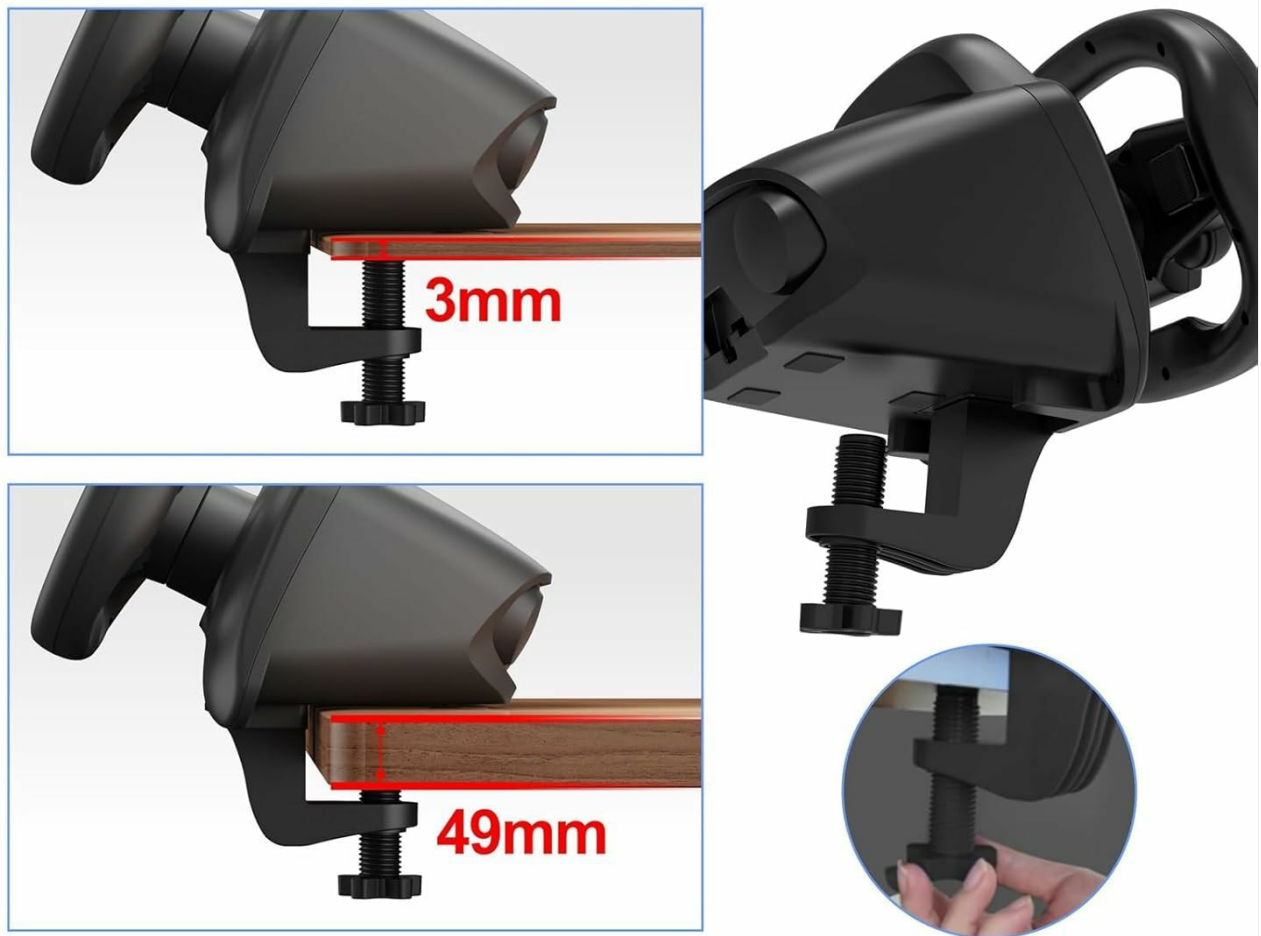


Figure 3: The adjustable clamp mechanism for securing the steering wheel to a surface.

1. Place the steering wheel on a stable, flat surface.
2. Adjust the clamp screw to fit your desktop thickness (compatible with thicknesses between 3mm and 49mm).
3. Tighten the clamp securely to prevent movement during use.

Connecting the Pedals

- Connect the pedal unit cable to the designated port on the steering wheel.

Platform Connection

The steering wheel supports both wireless Bluetooth and wired connections.

Bluetooth Connection

★ (Supporting platforms)

Laptop computer

Android

SWITCH

★ (Connection diagram)



Wired Connection

★ (Supporting platforms)

PC(Windows)

PS3/PS4

★ (Connection diagram)



Figure 4: Connection diagrams for wireless (Bluetooth) and wired setups.

Wireless Bluetooth Connection (Switch, PC, iOS, Android)

- Ensure the steering wheel has sufficient battery power.
- Activate Bluetooth on your device (Nintendo Switch, PC, iOS/Android mobile phone or tablet).
- Put the steering wheel into pairing mode (refer to the device's specific pairing instructions, usually by holding a specific button combination).
- Select the steering wheel from the list of available Bluetooth devices on your platform to pair.

Enhance Your Mobile Gaming!

Compatible with Android and iOS Phones.



Figure 5: Wireless connection to a mobile device, enhancing mobile gaming.

Wired Connection (PC, PS3, PS4)

- Connect the steering wheel directly to your PC, PS3, or PS4 console using a USB cable.
- The system should automatically detect the device. Follow any on-screen prompts for driver installation if necessary (for PC).

OPERATING INSTRUCTIONS

Once connected, you can begin using your DOYO Gaming Steering Wheel for an immersive racing experience.

Steering and Rotation

The steering wheel offers a 270-degree rotation for precise control in racing games.

Dual Vibration Feedback 270-Degree Rotation



Figure 6: The steering wheel supports 135 degrees of rotation to both the left and right, totaling 270 degrees.

Vibration Feedback

- The dual-vibration motors provide realistic feedback during gameplay, enhancing immersion. Vibration intensity may be adjustable in game settings or through specific wheel functions.

Dead Zone and Sensitivity Adjustment

- The steering wheel allows for adjustment of dead zone and sensitivity settings. Refer to the indicators (1/2/3/4) and the 'M' indicator for current settings. Specific adjustment methods are typically detailed in the quick start guide or product packaging.

Platform-Specific Features

- **Nintendo Switch:** Optimized for games like Mario Kart, offering adjustable vibration feedback and easy screenshot capture.
- **PC:** Customizable settings for accuracy and enhanced control in PC racing titles.

MAINTENANCE

Proper maintenance ensures the longevity and performance of your steering wheel.

- **Cleaning:** Use a soft, dry cloth to wipe down the steering wheel and pedals. Avoid using harsh chemicals or abrasive cleaners.
- **Storage:** Store the device in a cool, dry place away from direct sunlight and extreme temperatures.
- **Battery Care:** If the device will not be used for an extended period, remove the AAA batteries to prevent leakage.
- **Cable Management:** Avoid sharp bends or kinks in the cables to prevent damage.

TROUBLESHOOTING

If you encounter issues with your DOYO Gaming Steering Wheel, refer to the following common solutions.

- **Device Not Powering On:**
 - Ensure fresh AAA batteries are correctly inserted with proper polarity.
 - Check if the power button (if applicable) is pressed.
- **Connection Issues (Wireless):**
 - Verify Bluetooth is enabled on your gaming platform.
 - Ensure the steering wheel is in pairing mode.
 - Move the steering wheel closer to the gaming platform to reduce interference.
 - Remove any other active Bluetooth devices that might cause interference.
 - Try restarting both the steering wheel and the gaming platform.
- **Connection Issues (Wired):**
 - Ensure the USB cable is securely connected to both the steering wheel and the gaming platform.
 - Try a different USB port on your console or PC.
 - Test with a different USB cable if available.
- **No Vibration Feedback:**
 - Check in-game settings to ensure vibration feedback is enabled.
 - Verify that the game supports vibration functionality.
- **Steering Input Not Responding:**
 - Recalibrate the steering wheel if your platform offers this option.
 - Ensure the device is correctly recognized by the system.

If these steps do not resolve the issue, please contact customer support.

SPECIFICATIONS

Brand	DOYO
Model Number	B0DXPJZ396
Compatible Devices	Android, Nintendo Switch, PC, PlayStation 3, PlayStation 4, iOS Mobile Phones
Controller Type	Steering Wheel, Pedals

Connectivity Technology	Bluetooth (Bluetooth 5.0)
Additional Features	Ergonomic Design, Multi-use, Wireless, Dual-Vibration Motors, 270-Degree Rotation
Power Source	Battery Powered (3 AAA batteries, not included)
Item Weight	2.04 Kilograms
Color	Black

WARRANTY AND SUPPORT

DOYO is committed to providing a smooth and enjoyable gaming experience. For any questions, technical assistance, or warranty inquiries, please contact our dedicated customer support team.

- **Customer Support:** Refer to the contact information provided with your product packaging or visit the official DOYO website for support options.
- **Warranty Information:** Specific warranty terms and conditions may vary by region and retailer. Please retain your proof of purchase for warranty claims. Contact customer support for detailed warranty information.