



[Manuals.plus](#) /

> [ZOCWJK](#) /

> ZOCWJK Motorized TV Mount Mobile TV Cart User Manual

ZOCWJK Motorized TV Mount Mobile TV Cart

ZOCWJK Motorized TV Mount Mobile TV Cart User Manual

Model: Motorized TV Mount Mobile TV Cart

1. INTRODUCTION

Thank you for choosing the ZOCWJK Motorized TV Mount Mobile TV Cart. This premium electric TV lift is designed to provide a versatile and secure mounting solution for your television. Constructed from high-grade steel with a scratch-resistant powder-coated finish, it ensures durability and stability. This manual provides essential information for safe installation, operation, and maintenance of your new TV cart.

Compatibility: This TV cart is suitable for most 32-75 inch televisions with VESA mounting patterns up to 600x400mm.

2. SAFETY INFORMATION

- Read all instructions carefully before assembly and use. Failure to do so may result in serious personal injury or property damage.
- Ensure all components are present and undamaged before beginning assembly. Do not use if any parts are missing or defective.
- Do not exceed the maximum load capacity of 60 kg (132 lbs). Overloading can cause instability and potential injury.
- This product is intended for indoor use only.
- Keep children and pets away from the TV cart during operation.
- Ensure the TV cart is placed on a stable, level surface. Lock the wheels when the cart is stationary to prevent accidental movement.
- Do not attempt to modify the product. Any modifications may void the warranty and create safety hazards.
- Disconnect power before performing any maintenance or cleaning.

3. PACKAGE CONTENTS

Please verify that all components are included in your package:

- 1 x Motorized TV Mount Assembly
- 1 x User Manual (This document)
- 1 x Installation Hardware Kit (Includes screws, washers, and tools for assembly)

- 1 x Remote Control
- 1 x Wired Control Switch

4. SETUP AND INSTALLATION

The ZOCWJK Motorized TV Mount Mobile TV Cart is designed for floor installation. Follow these steps carefully for proper assembly and TV mounting.

4.1 Assembly of the Mobile TV Cart Base

Assemble the base components according to the diagrams provided in the installation hardware kit. Ensure all screws are tightened securely. Attach the silent wheels to the base, ensuring they can rotate freely and lock effectively.



Figure 4.1: Mobile TV Cart Base with Silent Wheels. The wheels allow for 360-degree rotation and include a locking mechanism for stability.

4.2 Attaching the TV Mount to the Lift Column

Secure the TV mount bracket to the motorized lift column. Refer to the detailed diagrams in your hardware kit for specific screw placements and tightening instructions.

4.3 Mounting Your Television

Before mounting, ensure your TV's VESA pattern is compatible (within 600x400mm). Attach the VESA mounting arms to the back of your TV using the appropriate screws from the hardware kit. Then, carefully lift and hook your TV onto the main mount bracket. Secure the TV using the provided locking mechanisms.

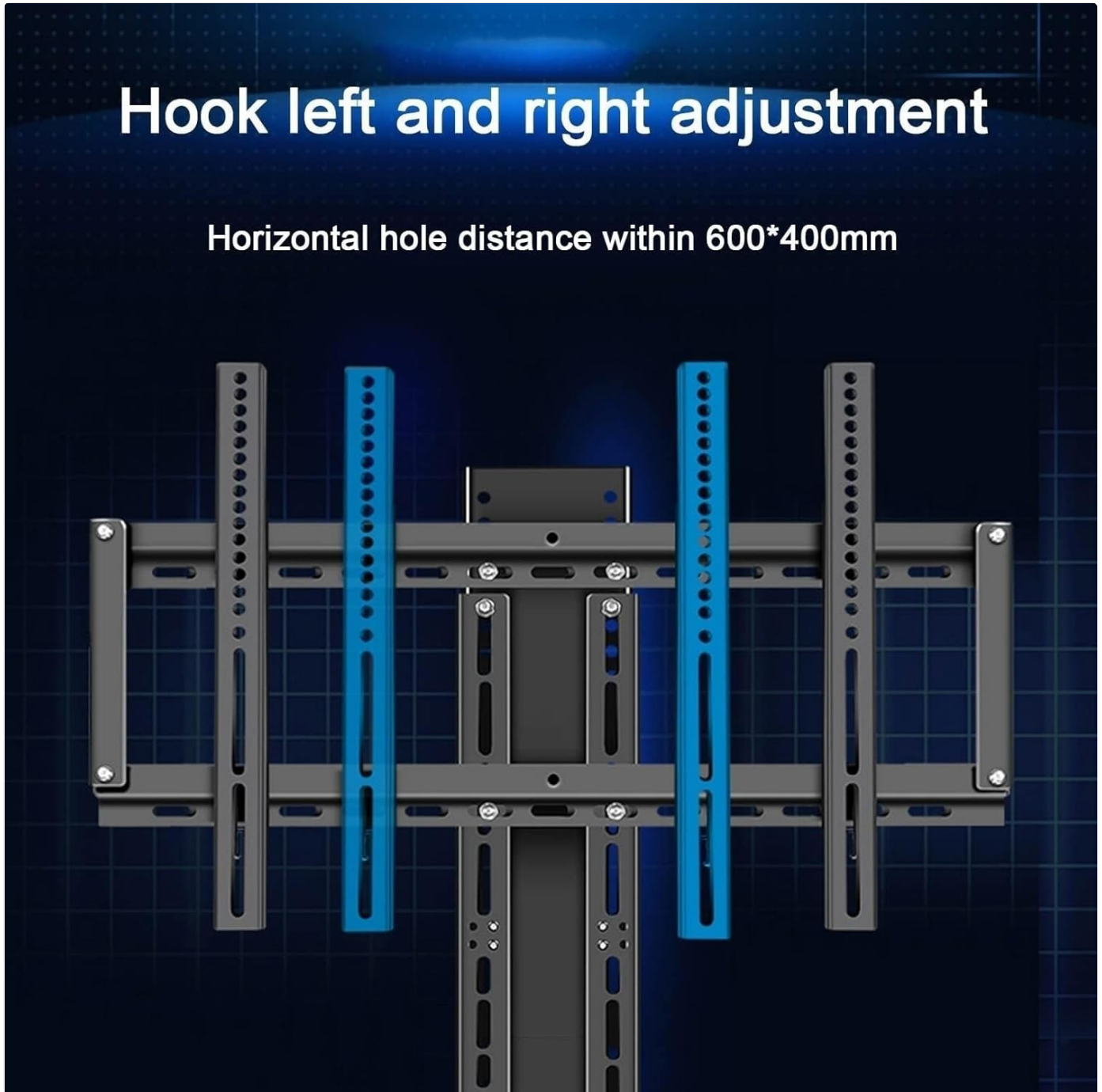


Figure 4.2: VESA Mounting Plate. The adjustable hooks accommodate horizontal hole distances up to 600mm and vertical up to 400mm.

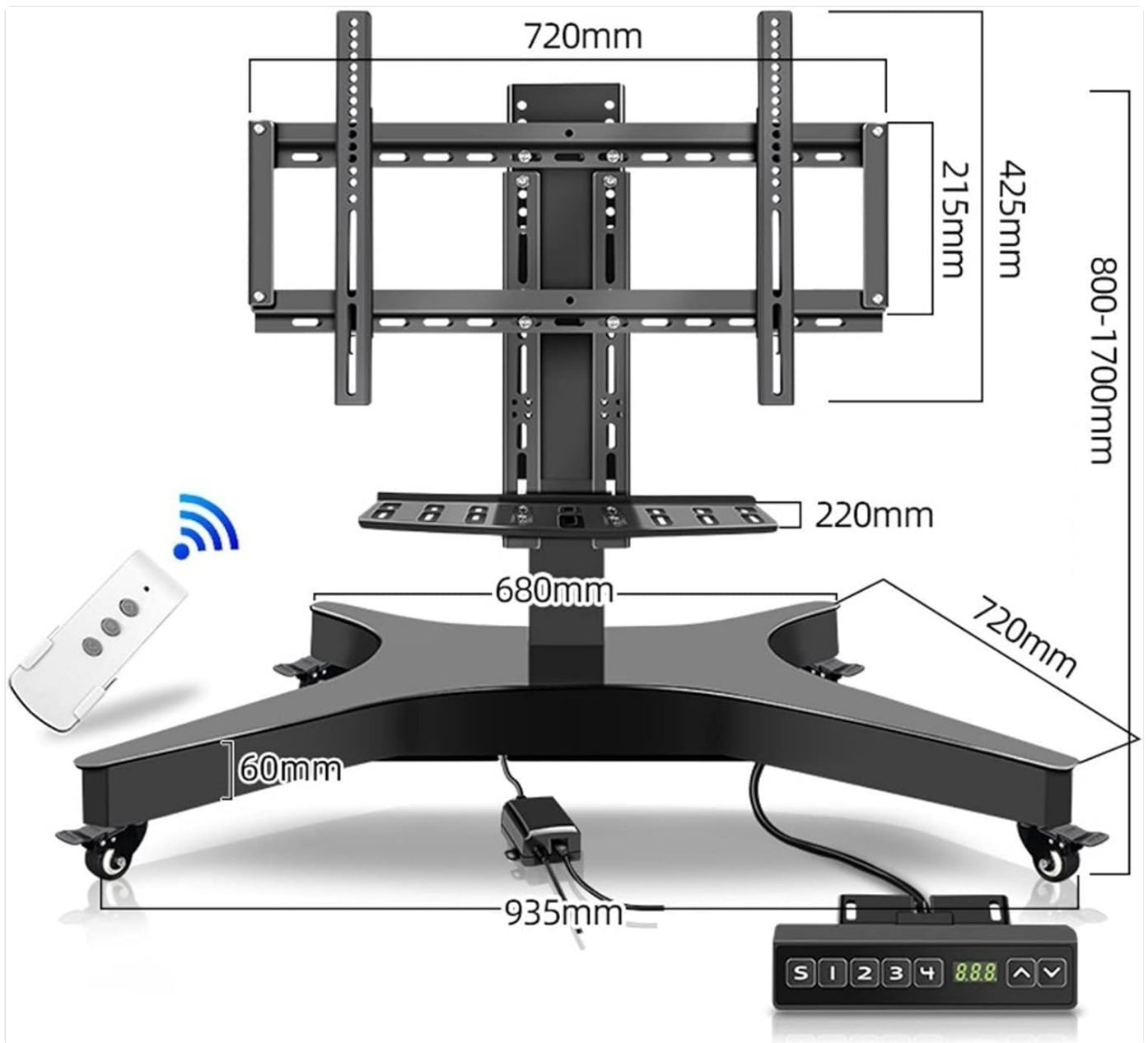


Figure 4.3: Overall Dimensions and VESA Compatibility. This diagram illustrates the full dimensions of the TV cart and the VESA mounting area.

4.4 Connecting Power

Connect the power adapter to the motorized lift unit and then plug it into a standard electrical outlet. Ensure all cables are neatly managed to prevent tripping hazards.

5. OPERATING INSTRUCTIONS

Your ZOCWJK Motorized TV Mount Mobile TV Cart offers dual-mode control for convenient height adjustment.

5.1 Height Adjustment

The TV lift allows for automatic height adjustment from 840mm (33.0 inches) to 1700mm (66.9 inches) at a speed of 38mm/second. This smooth and quiet operation ensures a comfortable viewing experience.

High and low lift adjustment

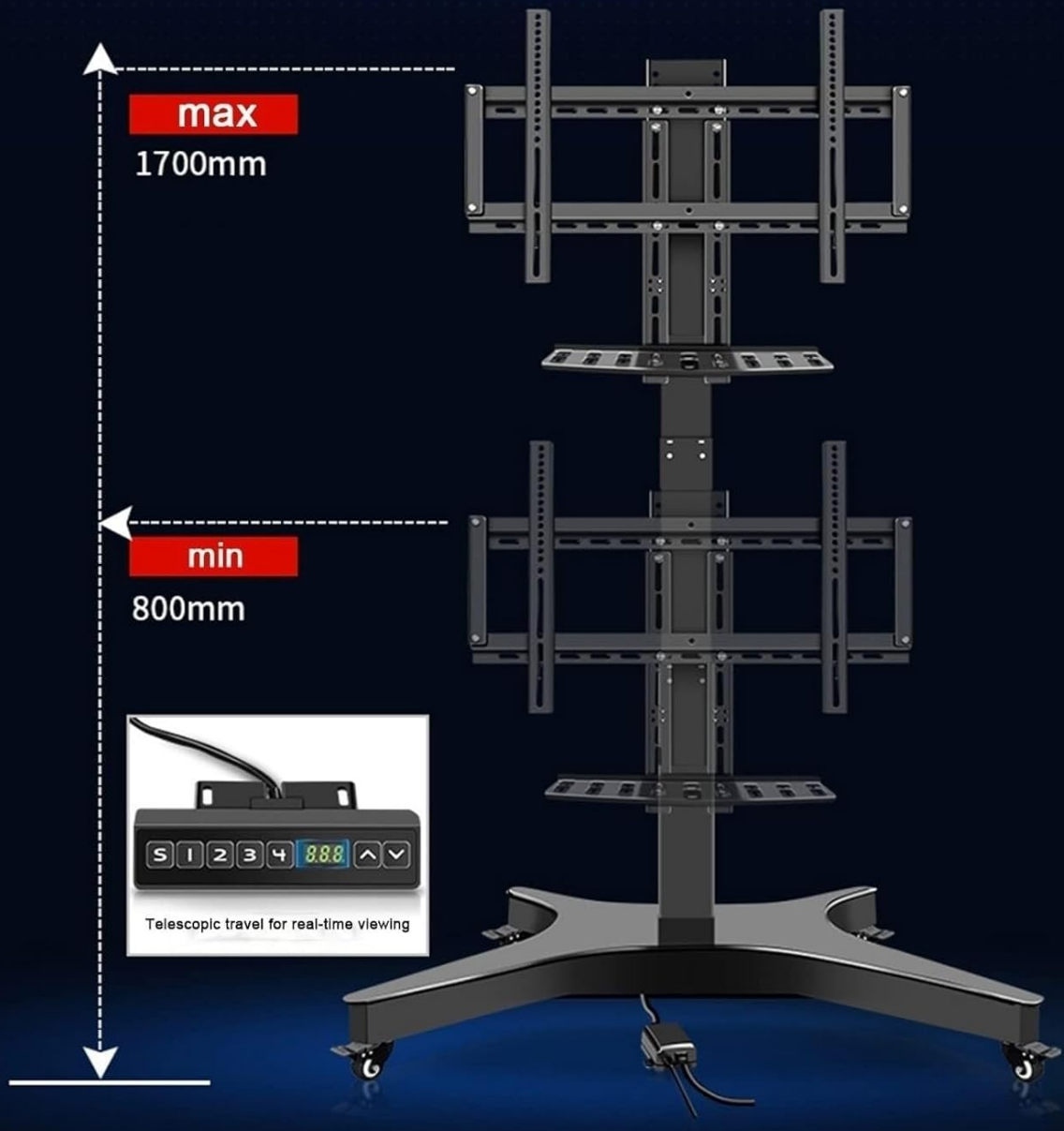


Figure 5.1: High and Low Lift Adjustment. The display on the wired control panel shows the current telescopic travel.

High and low gear adjustment



Figure 5.2: Height Gear Adjustment. The lift mechanism allows for multiple height configurations.

5.2 Control Methods

- **Remote Control:** Use the provided wireless remote control to raise or lower the TV mount. The remote typically has 'Up' and 'Down' buttons.
- **Wired Control Switch:** An integrated wired control panel allows for direct operation. This panel often includes 'Up', 'Down', and memory preset buttons for frequently used heights.

Refer to the specific instructions for the remote control and wired switch included in your package for detailed button functions.

6. MAINTENANCE

Regular maintenance ensures the longevity and safe operation of your TV cart.

- **Cleaning:** Wipe the surfaces with a soft, damp cloth. Avoid abrasive cleaners or solvents that could damage the finish.
- **Inspections:** Periodically check all screws and connections to ensure they are tight. Re-tighten if necessary.

- **Cable Management:** Ensure power cables and TV cables are not pinched or tangled, especially during height adjustments.
- **Motor Care:** The motor is designed for silent and efficient operation. Avoid obstructing the lift mechanism.



Figure 6.1: Motor Features. The robust motor is designed for reliable and quiet performance.

7. TROUBLESHOOTING

If you encounter issues with your ZOCWJK Motorized TV Mount Mobile TV Cart, refer to the following common problems and solutions:

Problem	Possible Cause	Solution
TV lift does not move.	No power, loose connection, remote control battery dead.	Check power cord connection. Ensure outlet is functional. Replace remote control batteries. Check all cable connections to the motor.

Problem	Possible Cause	Solution
Lift moves unevenly or makes unusual noise.	Obstruction, loose components, motor issue.	Inspect for any obstructions in the lift path. Check all assembly screws for tightness. If the problem persists, contact customer support.
Remote control not responding.	Battery issue, signal interference, remote not paired.	Replace remote batteries. Ensure no objects are blocking the signal path. Refer to remote pairing instructions if applicable (usually not needed for basic operation).

8. SPECIFICATIONS

Brand	ZOCWJK
Model	Motorized TV Mount Mobile TV Cart
Material	Cold Rolled Steel Plate
Compatible TV Size	32-75 inches
Max Load Capacity	60 kg (132 lbs) <i>(Note: Product description states "Product weight: 60kg" and "maximum load-bearing capacity of 690 kg". We recommend adhering to a maximum load of 60kg for safety.)</i>
Lifting Speed	38 mm/second
Telescopic Length (Height Range)	840 mm - 1700 mm (33.0 - 66.9 inches)
Installation Hole Spacing (VESA)	Within 600x400 mm
Control Method	Remote Control / Wired Switch Control
Application Scope	Office, Living Room, Balcony, Dining Room, Kitchen

9. WARRANTY AND SUPPORT

ZOCWJK is committed to providing high-quality products and customer satisfaction. This product comes with a standard manufacturer's warranty against defects in materials and workmanship.

For warranty claims, technical assistance, or any questions regarding your ZOCWJK Motorized TV Mount Mobile TV Cart, please contact our customer support team. We aim to respond within 24 hours and provide a satisfactory solution.

Please retain your proof of purchase for warranty purposes.