

onerbl Universal 12V AC-DC Adapter for Arcade1Up

onerbl 12V AC-DC Adapter Instruction Manual for Arcade1Up Gaming Machines

1. INTRODUCTION

This instruction manual provides essential information for the safe and effective use of your onerbl 12V AC-DC Adapter. This adapter is designed to power compatible Arcade1Up gaming machines.

Onerbl AC adapters are manufactured with high-quality materials, tested and designed to meet the power needs of your device. This power supply allows you to operate your device or charge its battery from electrical power outlets. This adapter converts AC power into the DC power required by your device.

Onerbl adapters are a reliable solution. This adapter has been validated and tested to ensure it will work with your device.



Image 1: The onerbl 12V AC-DC adapter unit with its detachable AC power cord and integrated DC output cable.

2. SAFETY INFORMATION

Please read and adhere to the following safety guidelines to prevent injury or damage to your device:

- Read all instructions before use.
- Do not expose the adapter to liquids, moisture, or extreme temperatures.
- Use the adapter in well-ventilated areas to prevent overheating.
- Disconnect the adapter from the power outlet when not in use or during electrical storms.
- Do not attempt to open, modify, or repair the adapter. Refer servicing to qualified personnel.
- Keep the adapter and its cords out of reach of children and pets.
- Ensure the power outlet used is easily accessible and properly grounded.

Important: This adapter is designed for **12V Arcade1Up models only**. It is **NOT compatible with 5V versions**. Please verify your device's voltage requirements before connecting to avoid damage.

3. PACKAGE CONTENTS

Upon opening your package, please ensure all items are present:

- onerbl 12V AC-DC Power Adapter Unit
- AC Power Cord (for wall outlet connection)
- DC Output Cable (integrated with adapter unit)

4. SETUP

Follow these steps to connect your onerbl AC-DC Adapter to your Arcade1Up gaming machine:

1. **Step 1:** Ensure your Arcade1Up gaming machine is powered off and unplugged from any existing power source.
2. **Step 2:** Connect the DC output cable from the onerbl adapter to the power input port on your Arcade1Up machine. Ensure a secure fit.
3. **Step 3:** Connect the AC power cord to the adapter unit.
4. **Step 4:** Plug the AC power cord into a standard 110V AC electrical wall outlet.
5. **Step 5:** Power on your Arcade1Up gaming machine. The adapter features a blue indicator light to confirm power is being supplied.



Image 2: The onerbl 12V AC-DC adapter connected to an Arcade1Up machine, with the adapter unit resting on a surface

and its blue indicator light illuminated.

5. OPERATION

Once connected and powered, the onerbl AC-DC Adapter will continuously supply the necessary 12V DC power to your compatible Arcade1Up gaming machine. No further user interaction is required during operation. The blue indicator light on the adapter confirms it is receiving and supplying power.

6. COMPATIBILITY

This onerbl 12V AC-DC Adapter is specifically designed as a replacement power supply for various Arcade1Up gaming machines requiring 12V DC input. It is compatible with, but not limited to, the following models:

- Arcade1Up Model MSP-A-303611 (Class of 81' Deluxe Ms. Pac-Man, Galaga 1981 AT Home Arcade Machine)
- Arcade1Up 8267 Ms. Pac-Man 80S Retro Home Arcade Machine
- Arcade1Up Model MSP-A-300520 Ms. PAC-MAN Classic Arcade Game
- Arcade1Up Model MSP-A-20682 Ms. PAC-MAN 40th Anniversary Collection Arcade Machine
- Arcade1Up Model MSP-A-01236 Ms. Pac-Man Special 40th Anniversary Edition Arcade Machine

Important Note: This adapter is **NOT for 5V versions** of Arcade1Up machines. Please check your device's original power supply or specifications to confirm it requires a 12V adapter.

7. SPECIFICATIONS

The onerbl AC-DC Adapter features the following technical specifications:

Input Voltage	110 Volts (AC)
Output Voltage	12 Volts (DC)
Connector Type	Barrel Connector
Special Feature	Short Circuit Protection
Color	Black
Manufacturer	Shenzhen Waweis Technology Co., Ltd

Cable Length: 127.8 inch

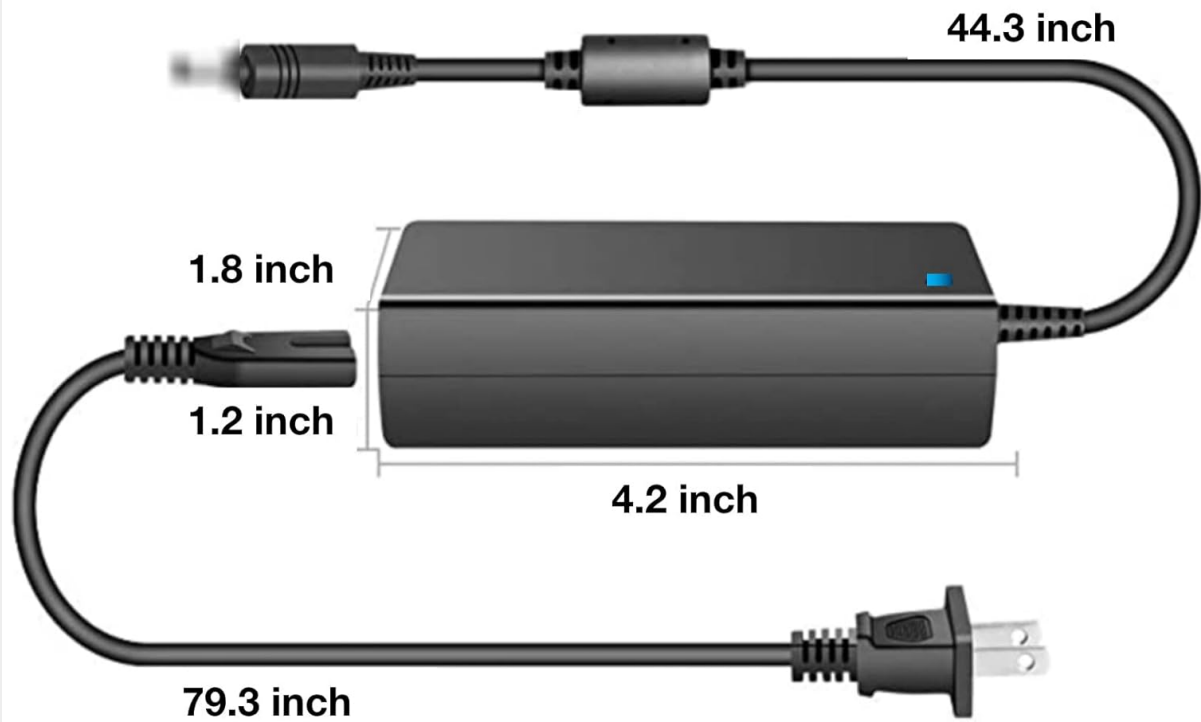


Image 3: Diagram illustrating the dimensions of the onerbl 12V AC-DC adapter and its cables, showing a total cable length of 127.8 inches.



Image 4: Close-up view of the detachable AC power cord, featuring a standard US plug and a C7 connector for the adapter.

8. TROUBLESHOOTING

If your Arcade1Up machine does not power on after connecting the adapter, consider the following:

- **No Power Indicator Light:** Ensure the AC power cord is securely plugged into both the adapter and a functioning wall outlet. Try a different outlet to rule out an issue with the power source.

- **Machine Not Powering On:** Verify that the DC output cable is firmly connected to your Arcade1Up machine's power input. Double-check that your Arcade1Up model specifically requires a 12V adapter and is not a 5V version.
- **Intermittent Power:** Ensure all connections (wall outlet, AC cord to adapter, DC cable to machine) are stable and not loose.

9. MAINTENANCE

To ensure the longevity and optimal performance of your onerbl AC-DC Adapter:

- **Cleaning:** Disconnect the adapter from all power sources before cleaning. Use a soft, dry cloth to gently wipe the exterior. Do not use liquid cleaners, solvents, or abrasive materials.
- **Storage:** Store the adapter in a cool, dry place when not in use. Avoid wrapping the cables too tightly or bending them sharply, as this can damage the internal wires.
- **Handling:** Do not drop or subject the adapter to physical shock. Avoid placing heavy objects on the adapter or its cables.

10. WARRANTY AND SUPPORT

Specific warranty details for this product are typically provided by the retailer at the time of purchase. For product support, technical assistance, or any inquiries regarding your onerbl AC-DC Adapter, please refer to the contact information provided by your retailer or the onerbl brand directly.