

60012

Generic 130 Gallon Heavy-Duty Outdoor Storage Deck Box Instruction Manual

Model: 60012

INTRODUCTION

This manual provides essential instructions for the assembly, operation, maintenance, and troubleshooting of your Generic 130 Gallon Heavy-Duty Outdoor Storage Deck Box. Please read this manual thoroughly before assembly and use to ensure proper function and longevity of the product. This storage box is designed to provide a weather-resistant solution for organizing outdoor items.

SAFETY INFORMATION

- **Do not allow children to play inside the box.** This is not a toy and can pose a suffocation hazard.
- Ensure the box is placed on a flat, stable surface to prevent tipping.
- Do not overload the box. Refer to the specifications for maximum weight capacity.
- Keep hands clear of hinges when opening or closing the lid to prevent pinching.
- Do not store hazardous materials, flammable liquids, or heat-generating items inside the box.
- Periodically check all connections and fasteners to ensure they remain tight and secure.

SETUP AND ASSEMBLY

Before beginning assembly, ensure all parts are present and undamaged. Assembly typically requires two people. No special tools are usually required, as components often snap together.

Components List:

- Side Panels (2)
- Front Panel (1)
- Back Panel (1)
- Bottom Panel (1)
- Lid (1)

- Hinge Mechanisms / Gas Struts (2)
- Fasteners (screws, clips, etc., as per specific model)

Assembly Steps:

1. **Prepare the Base:** Place the bottom panel on a clean, flat, and stable surface where the box will be located.
2. **Attach Side Panels:** Connect the side panels to the bottom panel, ensuring they snap securely into place.
3. **Install Front and Back Panels:** Attach the front and back panels to the side panels and bottom panel. Verify all connections are firm.
4. **Secure the Lid:** Carefully align the lid with the top edges of the assembled box. Attach the hinge mechanisms to the lid and the back panel of the box according to the specific design. Ensure the lid opens and closes smoothly.
5. **Final Check:** Inspect all connections to confirm the box is fully assembled and stable.



Figure 1: Fully assembled 130-gallon outdoor storage deck box.

Heavy-Duty Outdoor Storage Deck Box (130 Gallon)

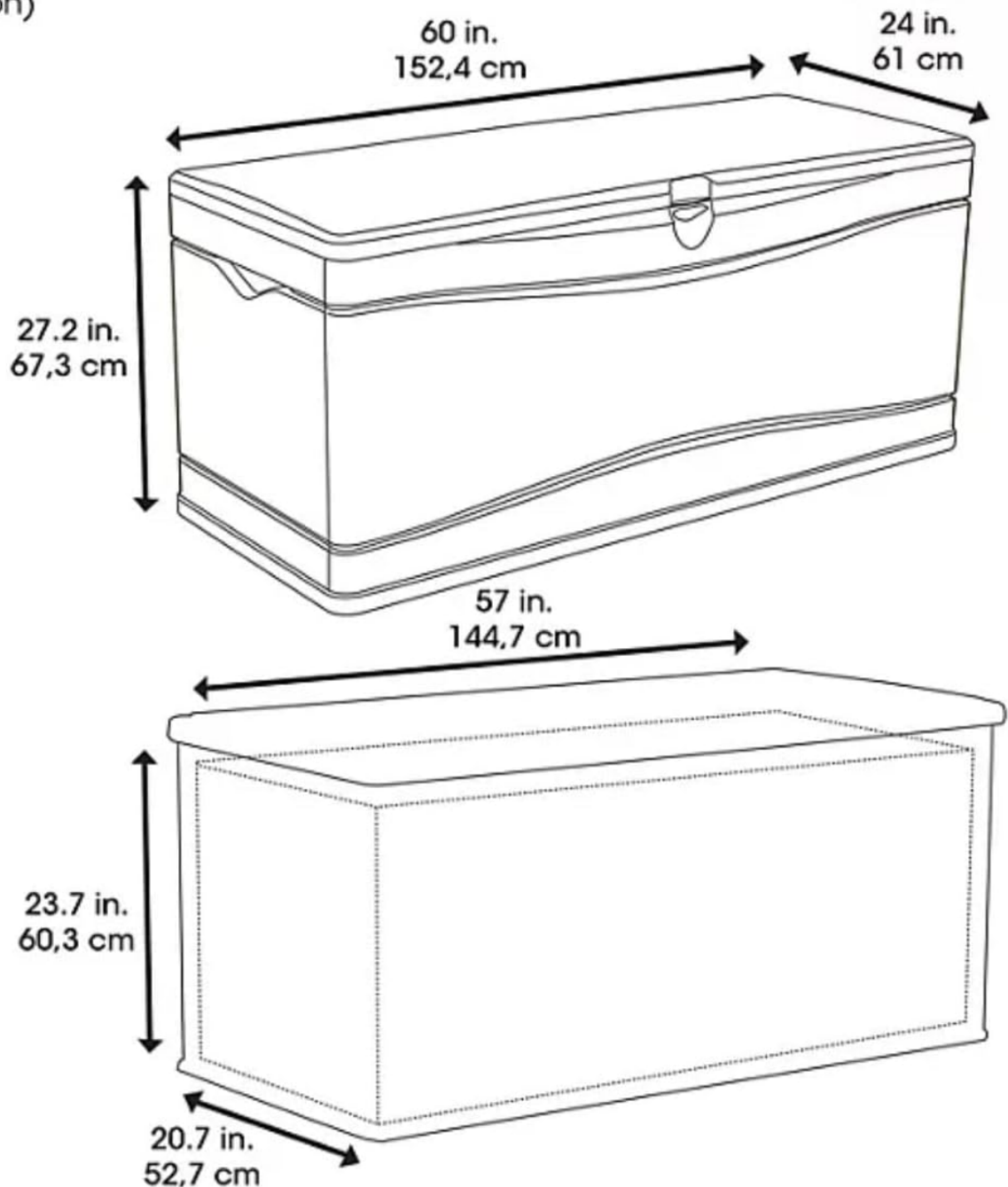


Figure 2: Detail of the spring-hinge lid mechanism, designed for smooth and controlled opening.

OPERATING INSTRUCTIONS

The deck box is designed for straightforward operation to store and protect your outdoor items.

Opening and Closing the Lid:

- To open, lift the lid from the front edge. The spring-hinge mechanism will assist in opening and holding the lid in an open position, preventing it from slamming shut.
- To close, gently pull the lid down until it rests securely on the box's edges. Ensure no items obstruct the lid's path.

Storing Items:

- Place items evenly inside the box to distribute weight.
- Avoid placing sharp objects directly against the interior walls to prevent damage.

- Do not exceed the maximum weight capacity of 600 pounds.

Locking Mechanism (Optional):

- The deck box features a provision for a padlock (not included) to secure your stored items.
- Align the padlock hole on the lid with the corresponding hole on the front panel and insert a padlock.



Figure 3: Storing outdoor cushions in the deck box.



Figure 4: Organizing garden tools and pool supplies.



Figure 5: The lockable design provides added security for stored items.

Your browser does not support the video tag.

Video 1: A demonstration of the outdoor storage box's features and capacity, showcasing its practical use for various items.

MAINTENANCE

Regular maintenance will help preserve the appearance and functionality of your deck box.

Cleaning:

- Clean the exterior and interior surfaces with a mild soap solution and a soft cloth or sponge.
- Rinse thoroughly with clean water and dry with a soft cloth to prevent water spots.
- Avoid using abrasive cleaners, harsh chemicals, or stiff brushes, as these can damage the polyethylene material.

Weather Resistance:

- While the box is weather-resistant, ensure the lid is fully closed and latched to prevent water ingress during heavy rain or snow.

- Periodically check the seals around the lid for any signs of wear or damage.

General Care:

- Inspect hinges and other moving parts annually for smooth operation. Lubricate if necessary with a silicone-based spray.
- If the box is exposed to extreme temperatures, allow it to acclimate before opening or closing the lid forcefully.



Figure 6: The weather-resistant design protects contents from moisture.

TROUBLESHOOTING

This section addresses common issues you might encounter with your deck box.

Lid Does Not Close Properly:

- **Check for Obstructions:** Ensure no items inside the box are preventing the lid from closing fully.
- **Verify Assembly:** Re-check that all panels are correctly assembled and seated. Misaligned panels can cause the lid to not fit.

- **Inspect Hinges:** Ensure hinges are not bent or damaged and are properly attached.

Water Inside the Box:

- **Ensure Lid is Fully Closed:** Make sure the lid is completely shut and latched.
- **Check Seals:** Inspect the sealing surfaces around the lid for any gaps, cracks, or debris that might compromise the weather seal. Clean or replace seals if necessary.
- **Location:** Ensure the box is not placed in an area where water can pool around its base or flow directly onto the lid.

Difficulty Opening/Closing Lid:

- **Lubricate Hinges:** Apply a silicone-based lubricant to the hinge mechanisms if they feel stiff.
- **Check for Damage:** Inspect hinges and gas struts for any physical damage or bending.

SPECIFICATIONS

Detailed specifications for the Generic 130 Gallon Heavy-Duty Outdoor Storage Deck Box, Model 60012.

Feature	Specification
Model Number	60012
Capacity	130 Gallons (492.1 L) / 16.4 ft ³ (0.46 m ³)
Exterior Dimensions (L x W x H)	60" x 24" x 27.2" (152.5 cm x 61 cm x 67 cm)
Interior Dimensions (L x W x H)	57.6" x 22.6" x 23.4" (143.3 cm x 57.3 cm x 59.5 cm)
Material	Polyethylene
Color	Desert Sand/Brown
Item Weight	32 Pounds
Maximum Weight Recommendation	600 Pounds
Special Features	Impact Resistant, Lockable, Scratch Resistant, Weather-resistant
Closure Type	Lockable Lid (padlock not included)
Opening Mechanism	Spring-Hinge

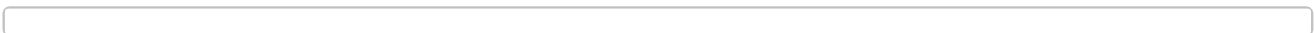


Figure 7: Dimensional drawing with key measurements.

WARRANTY AND SUPPORT

This product is manufactured to high-quality standards. For specific warranty details, please refer to the documentation included with your purchase or contact the retailer. If you have any questions, require assistance with assembly, or need to report a missing or damaged part, please contact customer support through your point of purchase.

