

[Manuals.plus](#) /

> [JIVOIT](#) /

> JIVOIT Full Size Loft Bed with L-Shaped Desk Instruction Manual

JIVOIT Loft Bed

JIVOIT Full Size Loft Bed with L-Shaped Desk Instruction Manual

Model: Loft Bed

INTRODUCTION

This manual provides detailed instructions for the assembly, operation, and maintenance of your JIVOIT Full Size Loft Bed with L-Shaped Desk. Please read all instructions carefully before beginning assembly and retain this manual for future reference. This loft bed is designed to maximize space with integrated storage, including a desk, drawers, cabinet, and a staircase with shelves.



Image: The JIVOIT Full Size Loft Bed in gray, showcasing its elevated bed, L-shaped desk, and integrated storage staircase.

SAFETY INFORMATION

- Always follow assembly instructions carefully.
- Ensure all bolts and screws are securely tightened before use. Periodically check and re-tighten as needed.
- Do not allow children under 6 years of age on the upper bunk.
- Use only mattresses that meet the recommended thickness (6 inches) to ensure proper guardrail height.
- Do not use substitute parts. Contact the manufacturer for replacement parts.
- Prohibit horseplay on or under the bed.
- Always use the provided staircase for entry and exit from the upper bunk.
- Ensure the bed is placed on a level surface.

SETUP AND ASSEMBLY

Assembly of the JIVOIT Loft Bed requires careful attention to detail. It is recommended to have at least two adults for assembly. The estimated assembly time is 4-6 hours. All necessary tools and a detailed assembly guide are included with your purchase.

Before You Begin:

- Unpack all components and verify against the parts list in the included assembly guide.
- Clear a spacious area for assembly.
- Have a tape measure and a power drill (for pre-drilling if needed, though most holes are pre-drilled) ready, as some steps may require them.
- Note that the staircase can be assembled on either the left or right side of the bed frame.

Assembly Steps (General Overview):

1. Assemble the main bed frame structure.
2. Attach the L-shaped desk components, including the drawers and cabinet.
3. Construct and attach the storage staircase, ensuring the drawers and shelves are correctly installed.
4. Install the bed slats onto the main frame. Ensure they are securely fastened to prevent mattress movement.
5. Perform a final check to ensure all connections are tight and the structure is stable.

SIZE:INCH

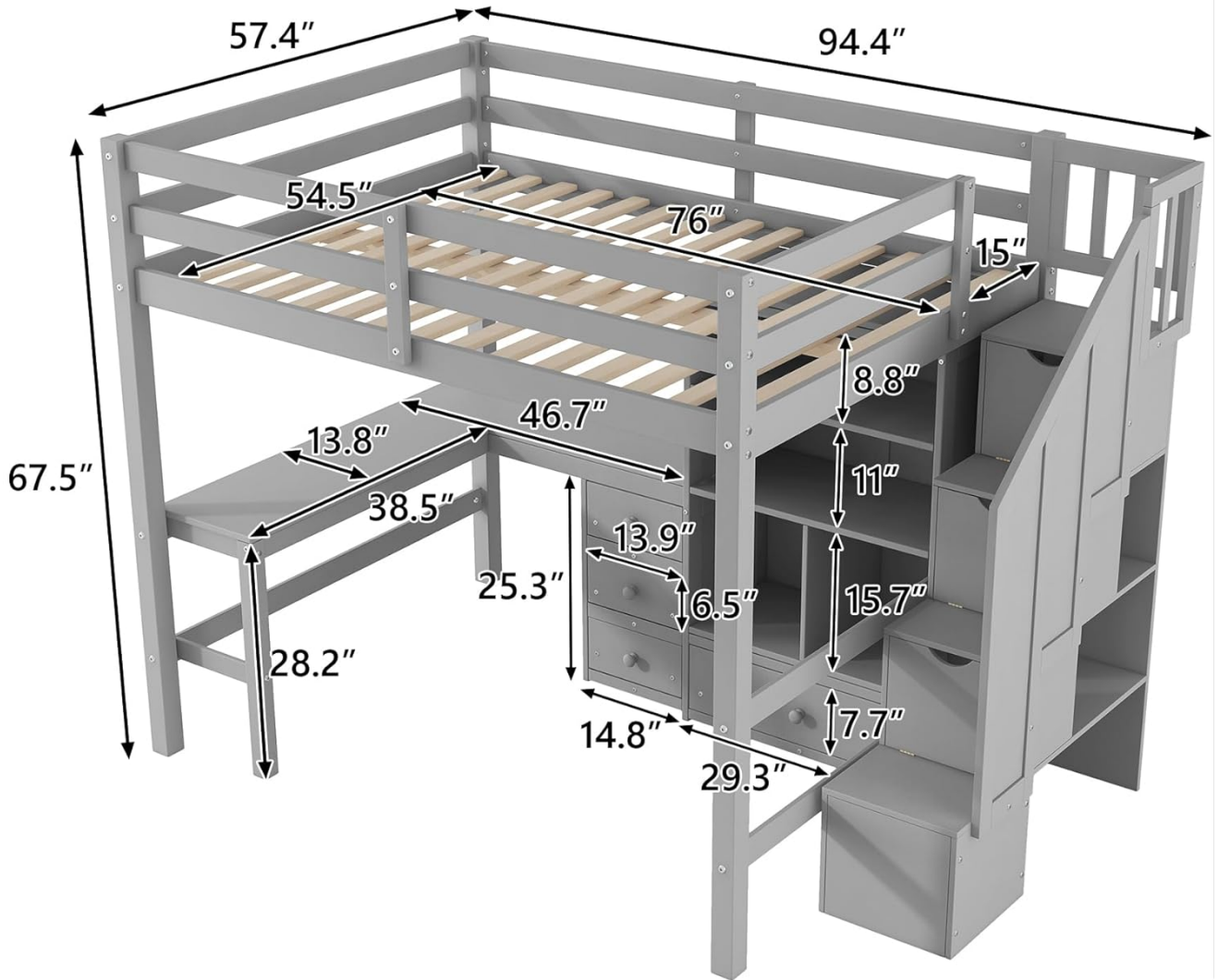


Image: Technical drawing showing the overall dimensions and key measurements of the loft bed, desk, and staircase components.



Image: A view of the assembled loft bed from the front, highlighting the L-shaped desk with drawers and the integrated storage shelves.

OPERATION

Using the Loft Bed:

- **Upper Bunk:** Access the upper bunk using the integrated staircase. Ensure the mattress is properly seated on the slats.
- **L-Shaped Desk:** Utilize the spacious L-shaped desk for studying, working, or creative activities. The desk includes three drawers for organizing supplies.
- **Storage Staircase:** Each step of the staircase features a pull-out drawer or open shelf, providing convenient storage for books, toys, or clothing.
- **Under-Desk Cabinet:** The cabinet located under the bed, adjacent to the desk, offers additional enclosed storage space.
- **3-Tier Storage Shelves:** Open shelves are integrated into the structure, ideal for displaying items or storing frequently accessed belongings.



Image: A detailed view of the L-shaped desk area, showing the three drawers and the adjacent open storage shelves.



Image: A detailed view of the storage staircase, highlighting the integrated drawers and open shelves within the steps.

MAINTENANCE AND CARE

- **Cleaning:** Wipe surfaces with a soft, damp cloth. Avoid harsh chemicals or abrasive cleaners that may damage the finish.
- **Hardware Check:** Periodically inspect all bolts, screws, and connections. Re-tighten any loose hardware to maintain stability and safety.
- **Wood Care:** Protect the wood from excessive moisture and direct sunlight to prevent warping or fading.
- **Weight Capacity:** Adhere to the recommended weight capacity of 400 lbs for the bed.

TROUBLESHOOTING

Problem	Possible Cause	Solution
Bed feels wobbly or unstable.	Loose hardware or uneven floor.	Check and tighten all bolts and screws. Ensure the bed is on a level surface.
Screws do not hold securely in some sections.	Holes may be slightly too wide or material is soft.	Use slightly longer wood screws if necessary, or apply wood glue to the hole before inserting the screw for a tighter fit.

Problem	Possible Cause	Solution
Missing parts or damaged components upon arrival.	Shipping damage or packaging error.	Contact JIVOIT customer support immediately for replacement parts.
Difficulty during assembly.	Complex steps or unclear instructions.	Refer to the detailed assembly guide provided. Ensure all pieces are oriented correctly. Consider having a second person assist.

SPECIFICATIONS

Brand	JIVOIT
Model Number	Loft Bed
Overall Product Dimensions	94.4"L x 57.4"W x 67.5"H
Bed Dimensions	76"L x 54.5"W (Full Size)
Total Height	67.5"
Material	Pine wood + MDF (Engineered Wood)
Color	Gray
Number of Bed Slats	14 pcs
Bed Weight Capacity	400 lbs
Recommended Mattress Thickness	6"
Assembly Required	Yes
Included Components	Installation Manual, Tools

WARRANTY INFORMATION

Specific warranty details for the JIVOIT Loft Bed are typically provided with the product packaging or can be obtained directly from the manufacturer. Please refer to the documentation included with your purchase for comprehensive warranty terms and conditions. For general return policies, please consult the retailer where the product was purchased.

CUSTOMER SUPPORT

If you have any questions regarding the assembly, operation, or maintenance of your JIVOIT Full Size Loft Bed, or if you require replacement parts, please contact JIVOIT customer support. Refer to your purchase documentation for contact information.

For online assistance, you may visit the JIVOIT brand page on Amazon: [JIVOIT Brand Page](#)

