



[Manuals.plus](#) /

> [Culligan](#) /

> Culligan with ZeroWater Technology 22-Cup Water Filter Dispenser User Manual

Culligan ZEROD22

Culligan with ZeroWater Technology 22-Cup Water Filter Dispenser User Manual

Brand: Culligan | **Model:** ZEROD22

1. INTRODUCTION

This manual provides instructions for the proper setup, operation, and maintenance of your Culligan with ZeroWater Technology 22-Cup Water Filter Dispenser. This dispenser utilizes a 5-stage advanced water filtration system designed to reduce various contaminants, providing cleaner water for consumption.



Image 1.1: The Culligan with ZeroWater Technology 22-Cup Water Filter Dispenser. This image shows the complete dispenser unit, highlighting its clear reservoir, integrated spigot, and the internal filter.

The 5-stage filtration technology is certified to reduce lead, total PFAS (forever chemicals), mercury, fluoride, and chlorine. An integrated Total Dissolved Solids (TDS) meter is included to monitor water purity.



Our commitment to safety

We designed our Culligan with ZeroWater Technology filtration system to meet the highest safety standards, certified by IAPMO.

Image 1.2: Safety certification for Culligan with ZeroWater Technology. This image displays the IAPMO R&T certification logo, indicating adherence to safety standards for the filtration system.

2. PRODUCT COMPONENTS

Before assembly, ensure all components are present and undamaged. The package should contain the following items:

- Dispenser Reservoir with Lid
- 5-Stage Advanced Water Filter
- TDS (Total Dissolved Solids) Meter



Image 2.1: Exploded view of the Culligan ZeroWater Dispenser components. This image shows the dispenser reservoir, the 5-stage filter, and the TDS meter as separate parts.



Image 2.2: The Culligan ZeroWater Dispenser and its retail packaging. This image provides a visual reference of the product as it appears in its box.

3. SETUP

1. **Unpack Components:** Carefully remove all items from the packaging.
2. **Wash Components:** Wash the dispenser reservoir and lid with mild soap and warm water. Rinse thoroughly to remove any soap residue. Do not wash the filter or the TDS meter.
3. **Install Filter:** Remove the filter from its protective packaging. Screw the filter firmly into the threaded opening on the underside of the upper reservoir section. Ensure it is securely tightened to prevent unfiltered water from bypassing the filter.
4. **Assemble Dispenser:** Place the upper reservoir section (with the installed filter) onto the lower clear reservoir. Ensure it sits correctly and is stable.
5. **Initial Fill and Flush:** Fill the upper reservoir with cold tap water. Allow the water to filter through completely. Discard the first two full reservoirs of filtered water. This primes the filter and removes any loose carbon particles.



Image 3.1: Close-up of the sliding lid for easy filling on the Culligan ZeroWater Dispenser. This image illustrates how to access the upper reservoir for refilling.

4. OPERATING INSTRUCTIONS

1. **Filling the Dispenser:** Slide open the lid on the top of the dispenser. Pour cold tap water into the upper reservoir. The water will slowly filter through the 5-stage filter into the lower reservoir. Do not overfill.
2. **Dispensing Water:** To dispense filtered water, push down on the spigot lever located on the front of the dispenser. Release the lever to stop the flow.
3. **Using the TDS Meter:** The included TDS meter measures the level of dissolved solids in parts per million (ppm). To use, press the button on the meter. Dip the metal probes into the filtered water in the lower reservoir. A reading of '000' indicates that the filter is effectively removing virtually all dissolved solids.



Image 4.1: A hand operating the spigot and an integrated TDS meter on the Culligan ZeroWater Dispenser. This image demonstrates how to dispense water and shows the TDS meter display.

5. MAINTENANCE

5.1 Filter Replacement

The 5-stage filter is designed to remove dissolved solids. The TDS meter will indicate when the filter needs replacement. When the TDS meter reads '006' or higher, it is time to replace the filter to ensure optimal water purity.

1. Empty any remaining water from the dispenser.
2. Carefully unscrew the old filter from the upper reservoir section.
3. Dispose of the old filter responsibly.
4. Install a new Culligan with ZeroWater Technology filter as described in the Setup section (Step 3).
5. Perform the initial fill and flush procedure (Step 5 in Setup) with the new filter.

Important: This dispenser is compatible only with NEW Culligan with ZeroWater Technology filters. It is not

compatible with legacy ZeroWater filters.

ZEROWATER
TECHNOLOGY

5-Stage
Advanced
Water Filtration™

Removes
99.9%
of total
dissolved
solids

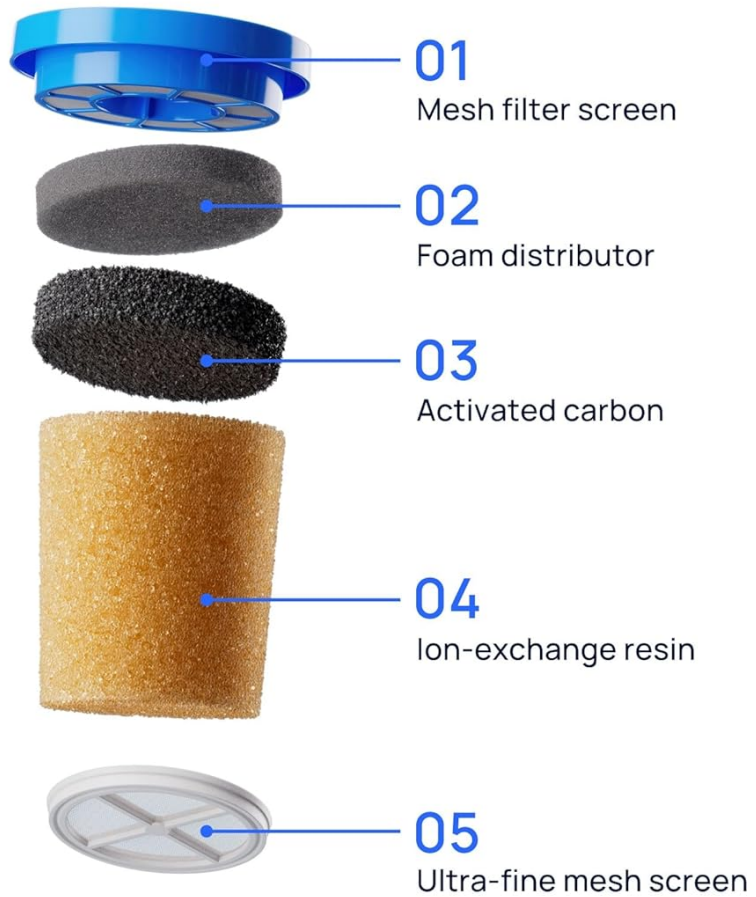


Image 5.1: Diagram illustrating the five stages of the Culligan ZeroWater filter. This image details the mesh filter screen, foam distributor, activated carbon, ion-exchange resin, and ultra-fine mesh screen layers.



Compatible with **new** Culligan
pitchers and dispensers



NOT compatible with legacy ZeroWater pitchers and dispensers



Image 5.2: Visual guide to Culligan ZeroWater filter compatibility. This image shows new Culligan pitchers and dispensers that are compatible with the new filters, and older ZeroWater models that are not compatible.



33%
longer filter life
than legacy
ZeroWater filter

Image 5.3: Comparison of filter life between new Culligan ZeroWater filters and legacy ZeroWater filters. This image indicates that the new filters offer 33% longer filter life.

5.2 Cleaning the Dispenser

Regular cleaning of the dispenser reservoir and lid is recommended to prevent buildup. Use mild soap and warm water, then rinse thoroughly. Do not use abrasive cleaners or harsh chemicals, as these can damage the plastic.

6. TROUBLESHOOTING

Problem	Possible Cause	Solution
Water filters slowly	Filter is nearing end of life or is clogged.	Check TDS meter reading. If above '000', replace filter. Ensure filter is screwed in correctly.
Filtered water tastes unusual	Filter is exhausted or not properly installed.	Check TDS meter reading. If above '000', replace filter. Re-install filter to ensure a tight seal.

Problem	Possible Cause	Solution
TDS meter reads above '000' shortly after filter replacement	Filter not properly seated or initial flush not performed.	Ensure filter is screwed in tightly. Perform initial flush by discarding the first two reservoirs of filtered water.
Water leaking from dispenser	Spigot not fully closed or dispenser components not properly assembled.	Ensure spigot is fully closed. Check that the upper and lower reservoirs are correctly aligned and sealed.

7. SPECIFICATIONS

- **Model Name:** 22 Cup Dispenser
- **Model Number:** ZEROD22
- **Capacity:** 22 Cups
- **Product Dimensions (L x W x H):** 11.8" x 6" x 10.5"
- **Item Weight:** 2 Kilograms (4.41 Pounds)
- **Filtration Technology:** 5-Stage Advanced Water Filtration
- **Special Features:** Built-in TDS Meter, Change Filter Indicator, Ergonomic Pouring, Lightweight, Reduces TDS
- **Installation Type:** Countertop
- **Power Source:** Gravity Fed
- **Maximum Flow Rate:** 0.18 Liters Per Minute
- **UPC:** 810136500356

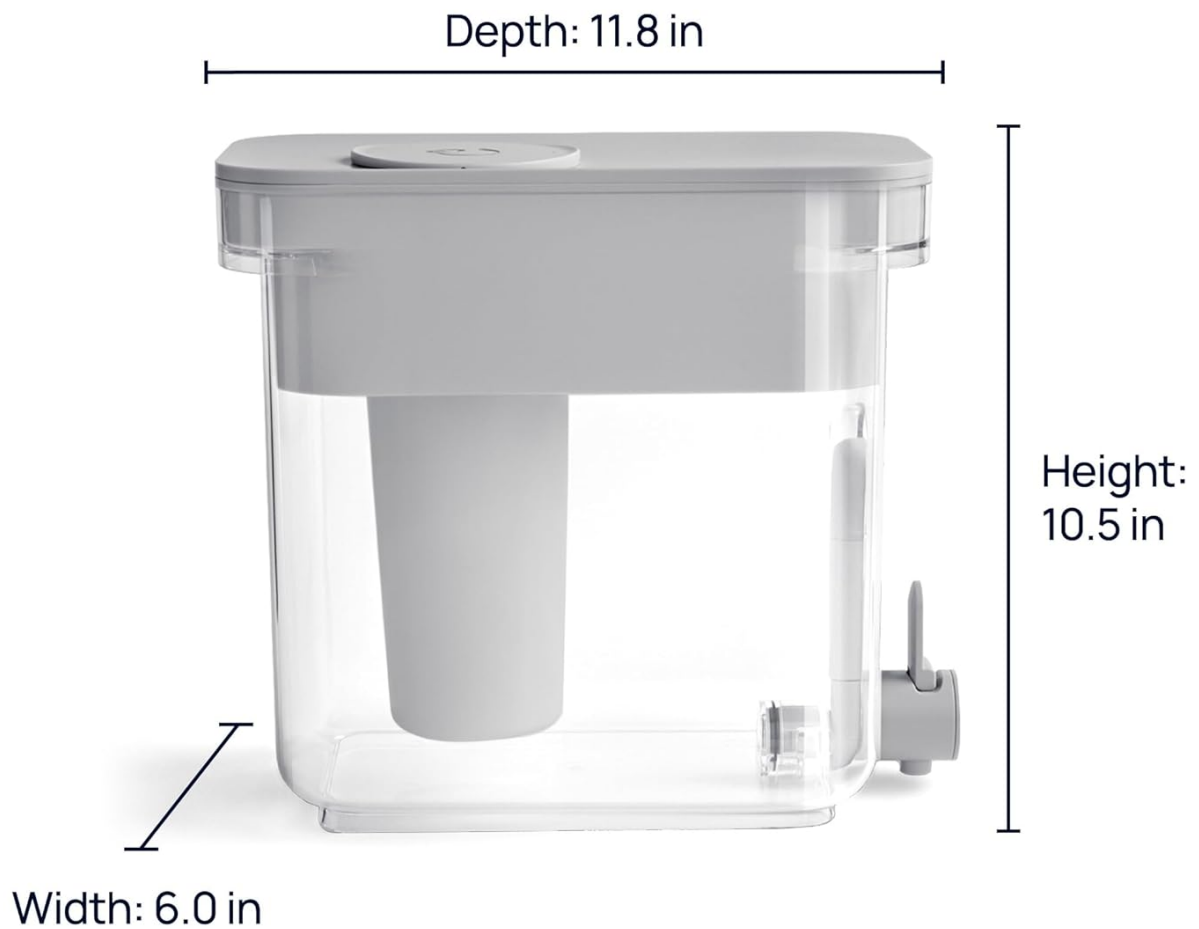


Image 7.1: Diagram showing the dimensions of the Culligan ZeroWater Dispenser. This image provides measurements for depth (11.8 in), width (6.0 in), and height (10.5 in).

8. WARRANTY AND SUPPORT

Culligan products are manufactured to high-quality standards. For specific warranty information regarding your Culligan with ZeroWater Technology 22-Cup Water Filter Dispenser, please refer to the warranty card included with your purchase or visit the official Culligan website. For technical support or further assistance, please contact Culligan customer service.

