

[Manuals.plus](#) /

> [Pump Zero Technology](#) /

> Pump Zero Technology Rechargeable Power Wand with 3-Way Spray, Model 190749

Pump Zero Technology 190749

Pump Zero Technology Rechargeable Power Wand

Model: 190749

Brand: Pump Zero Technology

INTRODUCTION

This manual provides instructions for the assembly, operation, maintenance, and troubleshooting of the Pump Zero Technology Rechargeable Power Wand. This device is designed for spraying water-based chemicals for various applications such as pest control, watering, weed control, and fertilizing. It features a 3.6V lithium-ion battery and a 3-way adjustable nozzle.

SAFETY INFORMATION

Important: Read all safety warnings and instructions before using this product. Failure to follow these instructions may result in electric shock, fire, and/or serious injury.

- Always wear appropriate protective clothing and gloves when using this product.
- Keep the wand away from children and pets.
- Do not use with incompatible chemicals. Refer to the chemical manufacturer's instructions for compatibility.
- Store the wand in a cool, dry place away from heat sources and open flames.
- Never leave the wand unattended while in use.
- In case of accidental contact with eyes or skin, rinse immediately with plenty of water and seek medical advice.
- Always follow the chemical manufacturer's instructions for safe use and disposal.

PRODUCT COMPONENTS

The package includes the following items:

- Pump Zero Lithium-Ion Power Wand
- 14" Poly Wand Extension and 3-Way Nozzle

- 50" Hose Assembly
- Charger Kit
- Dip Tube Cap for Ready-To-Use Bottle
- Universal Adapter Cap (for 33mm refill bottles)



Image: The Power Wand connected to a standard chemical bottle, illustrating the main components.

ASSEMBLY AND SETUP

1. **Attach the Dip Tube Cap:** Securely screw the dip tube cap onto your ready-to-use chemical bottle (compatible with 38mm caps). If using a 33mm refill bottle, use the provided universal adapter cap.
2. **Connect the Hose Assembly:** Attach one end of the 50" hose assembly to the dip tube cap on the bottle and the other end to the inlet port on the Power Wand handle. Ensure connections are tight to prevent leaks.
3. **Attach the Wand Extension and Nozzle:** Connect the 14" poly wand extension to the front of the Power Wand handle. Then, attach the 3-way nozzle to the end of the wand extension.

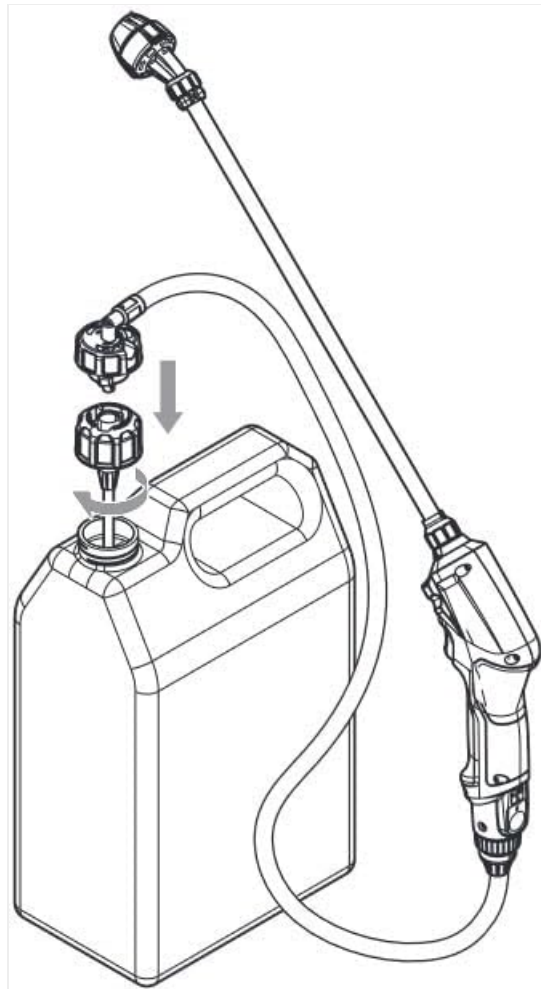


Image: Step-by-step diagram illustrating the connection of the dip tube cap and hose to a bottle.

CHARGING THE BATTERY

The Power Wand is equipped with a rechargeable 3.6V lithium-ion battery. Before first use, fully charge the battery.

1. Locate the charging port on the Power Wand handle.
2. Connect the charger cable to the charging port and plug the charger into a standard electrical outlet.
3. A solid green light on the wand indicates that the battery is fully charged.
4. Disconnect the charger once charging is complete. Do not overcharge the battery.

OPERATION

Once assembled and charged, the Power Wand is ready for use.

Selecting Spray Patterns

The 3-way nozzle allows for three distinct spray patterns:

- **STREAM:** For precise spot spraying and reaching distant targets.
- **CONE:** Ideal for general coverage, such as tackling weeds.
- **FAN:** Provides an even, wide spray for efficient fertilizing or broad application.

Rotate the nozzle head to select the desired spray pattern.



Image: Detailed view of the 3-way nozzle, highlighting its adjustable settings.

General Usage

1. Ensure the chemical bottle is securely attached and contains the desired liquid.
2. Select the appropriate spray pattern by rotating the nozzle.
3. Press and hold the trigger on the Power Wand handle to begin spraying. Release the trigger to stop.
4. Direct the spray towards the target area. The wand has a spray range of up to 20 feet.



Image: User demonstrating the Power Wand in action, spraying a paved area.

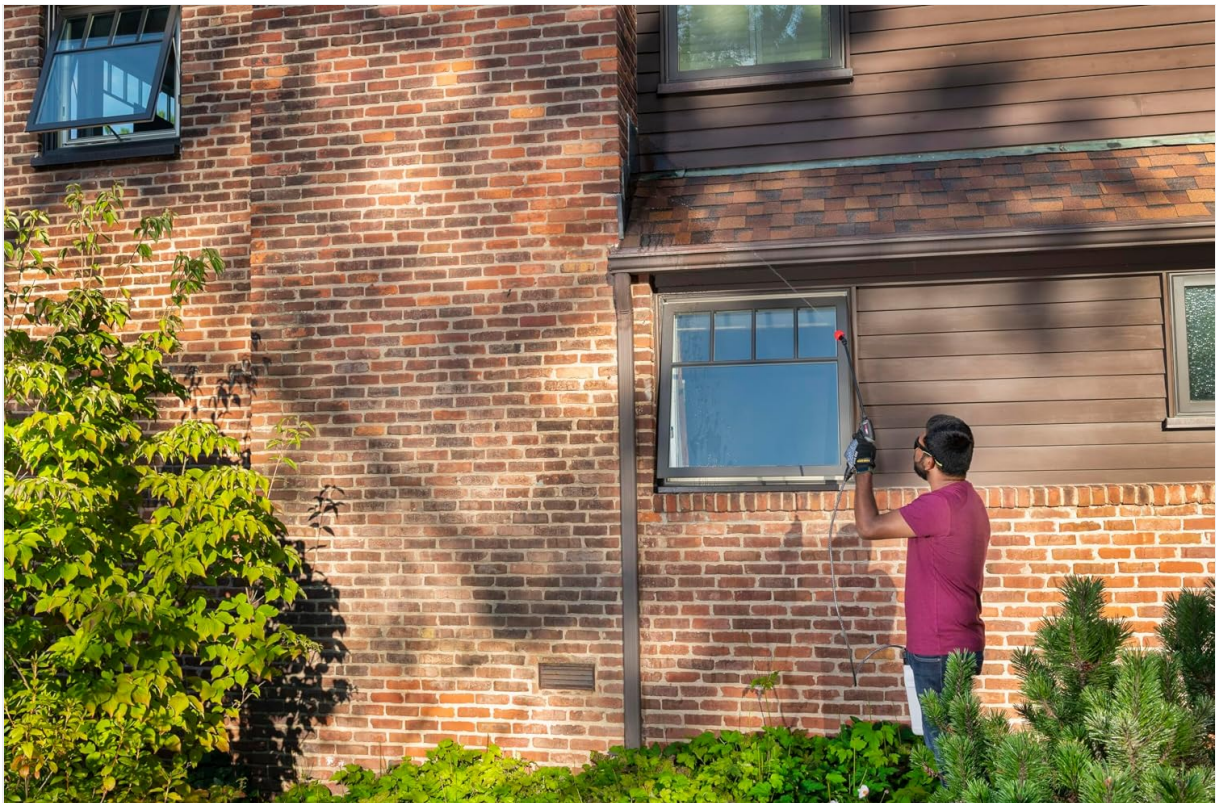


Image: User spraying a building wall, showcasing the wand's extended reach for higher areas.

MAINTENANCE AND STORAGE

Proper maintenance ensures the longevity and performance of your Power Wand.

- **Cleaning:** After each use, flush the wand with clean water to remove any chemical residue. Spray clean water through the nozzle until clear.

- **Battery Care:** Store the wand with a partially charged battery in a cool, dry place. Avoid storing in extreme temperatures.
- **Storage:** Disassemble the wand from the chemical bottle for storage. Store all components in a safe, dry location, out of reach of children and pets.
- **Inspection:** Periodically inspect the hose, wand, and nozzle for any signs of wear or damage. Replace damaged parts as needed.

TROUBLESHOOTING

Problem	Possible Cause	Solution
Wand does not spray	Battery is not charged Nozzle is clogged Hose or dip tube is kinked/blocked Bottle is empty	Charge the battery Clean the nozzle Check and clear hose/dip tube Refill the bottle
Weak spray pressure	Low battery charge Partial nozzle clog Loose hose connection	Recharge the battery Clean the nozzle thoroughly Tighten all hose connections
Leaking from connections	Loose connections Damaged O-rings/seals	Ensure all connections are tightened Inspect and replace O-rings/seals if damaged

SPECIFICATIONS

- **Model Name:** Rechargeable Power Wand with 3-Way Spray
- **Model Number:** 190749
- **Power Source:** Battery Powered
- **Battery Type:** 3.6V Lithium-Ion (Rechargeable)
- **Maximum Pressure:** 22 PSI (Pound per Square Inch)
- **Hose Length:** 50 Inches
- **Wand Extension Length:** 14 Inches (Poly)
- **Nozzle Type:** 3-Way (Stream, Cone, Fan)
- **Compatible Bottle Cap Size:** 38mm (Universal Adapter for 33mm included)
- **Material:** Plastic
- **Product Dimensions (W x H):** 1.75" x 7" (Wand handle)
- **Color:** Black

WARRANTY AND SUPPORT

For warranty information or technical support, please refer to the documentation included with your purchase or contact Pump Zero Technology customer service. Keep your purchase receipt for warranty claims.

