

[Manuals.plus](#) /

> [Serta](#) /

> Serta Vail 86" Convertible Sleeper Sofa Instruction Manual

Serta 113A058BRN

Serta Vail 86" Convertible Sleeper Sofa Instruction Manual

Model: 113A058BRN | Brand: Serta

PRODUCT OVERVIEW

The Serta Vail Convertible Sleeper Sofa is designed for versatility and comfort, functioning as both a sofa and a queen-size bed. It features a wall-hugging Dreamglide mechanism for easy conversion, Dreamcoil comfort for support, and durable boucle fabric upholstery. This manual provides essential information for assembly, operation, maintenance, and care of your new sofa.



Image: Front view of the Serta Vail Convertible Sleeper Sofa in its sofa configuration.

SETUP AND ASSEMBLY

The Serta Vail Convertible Sleeper Sofa requires simple, partial assembly. It is recommended that two people perform the assembly. All necessary tools are included. Please follow these steps carefully.

Assembly Video Guide

Your browser does not support the video tag.

Video: Official Serta Convertible Sofa Assembly Instructions. This video demonstrates the step-by-step process for assembling the sofa.

Step-by-Step Assembly Instructions

1. **Unpack Components:** Carefully remove all parts from the packaging. Ensure all hardware and components are present according to the included parts list.
2. **Attach Backrest to Sofa Frame:** Align the backrest with the main sofa frame. Secure it using the provided bolts and tools. Refer to the assembly video for visual guidance on this step.
3. **Install Armrests:** Hand screw the threaded rods into the armrests. Then, attach the armrests to the main sofa body, ensuring they are securely fastened.
4. **Attach Legs:** Securely attach the wooden sled base legs to the bottom of the sofa frame.
5. **Final Check:** Once assembled, ensure all connections are tight and the sofa is stable before use.

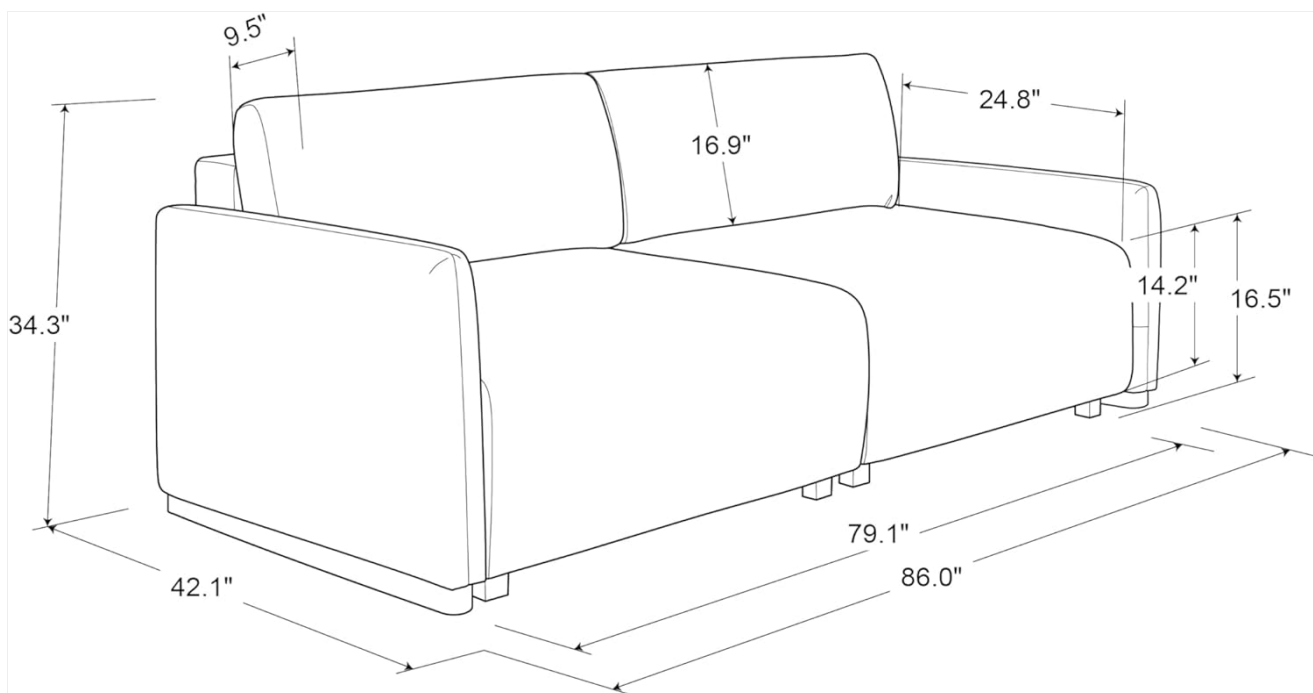


Image: Sofa dimensions diagram, illustrating height, width, and depth in sofa mode.

OPERATING INSTRUCTIONS: SOFA TO BED CONVERSION

The Serta Vail Convertible Sleeper Sofa features a Dreamglide mechanism for easy transformation from a sofa to a queen-size bed. Follow these steps to convert your sofa.

Conversion Video Guide

Your browser does not support the video tag.

Video: Serta Convertible Sofa Features. This video demonstrates the smooth conversion process from sofa to bed.

Conversion Steps:

1. **Clear the Area:** Ensure there is sufficient space in front of the sofa for the bed extension.
2. **Pull Out Seats:** Gently lift and pull the front of the seat cushions forward. The Dreamglide mechanism will smoothly extend the bed frame.
3. **Adjust Backrests:** The backrests may need to be adjusted or laid flat to complete the bed surface.

4. **To Revert to Sofa:** Reverse the process. Lift and push the bed frame back into the sofa position until it locks securely. Adjust backrests to upright position.



Image: The Serta Vail Convertible Sleeper Sofa transformed into a bed, ready for use.



Image: Bed dimensions diagram, illustrating length and width in bed mode.

MAINTENANCE AND CARE

Proper care will extend the life and appearance of your Serta Vail Convertible Sleeper Sofa.

- **Cleaning Upholstery:** Spot clean the boucle fabric upholstery with a damp cloth. Avoid harsh chemicals or abrasive cleaners, as these may damage the fabric. For stubborn stains, professional cleaning is recommended.
- **Frame Care:** Periodically check all bolts and connections to ensure they remain tight. Tighten if necessary.
- **Avoid Direct Sunlight:** Prolonged exposure to direct sunlight can cause fabric fading. Position your sofa away from direct sunlight or use window coverings.
- **Weight Limit:** Do not exceed the maximum weight limit of 600 pounds for the sofa or bed configuration.

TROUBLESHOOTING

This section addresses common issues you might encounter with your convertible sofa.

- **Difficulty Converting:** If the sofa is difficult to convert, ensure no obstructions are present around or under the mechanism. Check that all assembly bolts are securely tightened.
- **Squeaking Noises:** Squeaking may indicate loose connections. Inspect all hardware and tighten any loose bolts. Applying a small amount of silicone lubricant to moving metal parts (avoiding fabric) can also help.
- **Uneven Seating/Sleeping Surface:** Ensure the sofa is placed on a flat, even surface. Check that all legs are properly installed and making full contact with the floor.

PRODUCT SPECIFICATIONS

Brand	Serta
Model Number	113A058BRN
UPC	840053210809
Product Dimensions (Sofa)	86" W x 42.1" D x 34.3" H
Reclined Length (Bed)	79.1 Inches
Item Weight	214.7 Pounds
Weight Limit	600 Pounds
Seating Capacity	3
Upholstery Fabric Type	100% Polyester Boucle Fabric
Frame Material	Rubberwood
Seat Fill Material	High Density Foam
Suspension Type	Coil Spring
Assembly Required	Yes (Simple, partial assembly)
Recommended Assembly Persons	2
Product Care Instructions	Spot Clean with Damp Cloth

WARRANTY INFORMATION

The Serta Vail Convertible Sleeper Sofa comes with a **1-Year Limited Manufacturer's Warranty**. This warranty covers manufacturing defects in materials and workmanship under normal household use. It does not cover damage resulting from misuse, abuse, accidents, commercial use, or unauthorized repairs.

Please retain your proof of purchase for warranty claims. For specific details regarding warranty coverage and to initiate a claim, please contact Serta customer support.

CUSTOMER SUPPORT

For assistance with assembly, parts, or any other inquiries regarding your Serta Vail Convertible Sleeper Sofa, please contact Serta customer support.

- **Online Support:** Visit the official Serta website for FAQs and support resources.

- **Contact Information:** Refer to the contact details provided on the product packaging or the official Serta website.

When contacting support, please have your model number (113A058BRN) and proof of purchase readily available.