

YITAHOME Fish Tank Stand

YITAHOME 120 Gallon Fish Tank Stand with Power Outlets

INSTRUCTION MANUAL

1. Product Overview

This manual provides detailed instructions for the assembly, operation, and maintenance of your YITAHOME 120 Gallon Fish Tank Stand. This stand is designed to support aquariums ranging from 40 to 120 gallons, offering a stable and functional base for your aquatic or reptilian habitat.

Key Features:

- **Capacity:** Supports 40-120 gallon aquariums on the top surface, with an additional space for a 10-gallon aquarium on the bottom shelf. Total weight capacity up to 1100 lbs.
- **Integrated Power Outlets:** Includes 2 AC outlets, 1 USB port, and 1 Type-C port for convenient power access for aquarium accessories.
- **Storage:** Features 6 compartments, including 2 open and 4 hidden spaces with adjustable/removable dividers, accessible via a sliding barn door.
- **Construction:** Made from sturdy engineered wood and a heavy-duty metal frame for durability and stability.



Image 1.1: YITAHOME 120 Gallon Fish Tank Stand supporting an aquarium.

2. Setup and Assembly

The YITAHOME Fish Tank Stand requires assembly. An instruction manual is included in the package to guide you through the process. It is recommended to have assistance during assembly due to the product's weight and size.

Assembly Tips:

- Review all components against the parts list before beginning assembly.
- Ensure all metal side leg pieces are oriented correctly, with braces and screw holes aligned as per the instructions.
- Consider using an Allen bit with a drill on a low setting for faster and more secure fastening, taking care not to overtighten.
- Assemble the unit in its intended final location or ensure you have assistance to move it, as it is heavy (approximately 116.6 lbs).
- Place the stand on a level, stable surface to ensure proper weight distribution and prevent instability.



Image 2.1: Assembled YITAHOME Fish Tank Stand in a home environment.

3. Operating Instructions

This section details the functionality of the integrated features of your fish tank stand.

3.1 Power Outlets

The stand is equipped with a built-in power strip on the side, providing convenient access to electricity for your aquarium equipment.

- Connect aquarium heaters, filters, air pumps, lights, and other devices to the 2 AC outlets.
- Use the 1 USB port and 1 Type-C port for charging compatible devices.
- Ensure the power cord is securely plugged into a wall outlet.

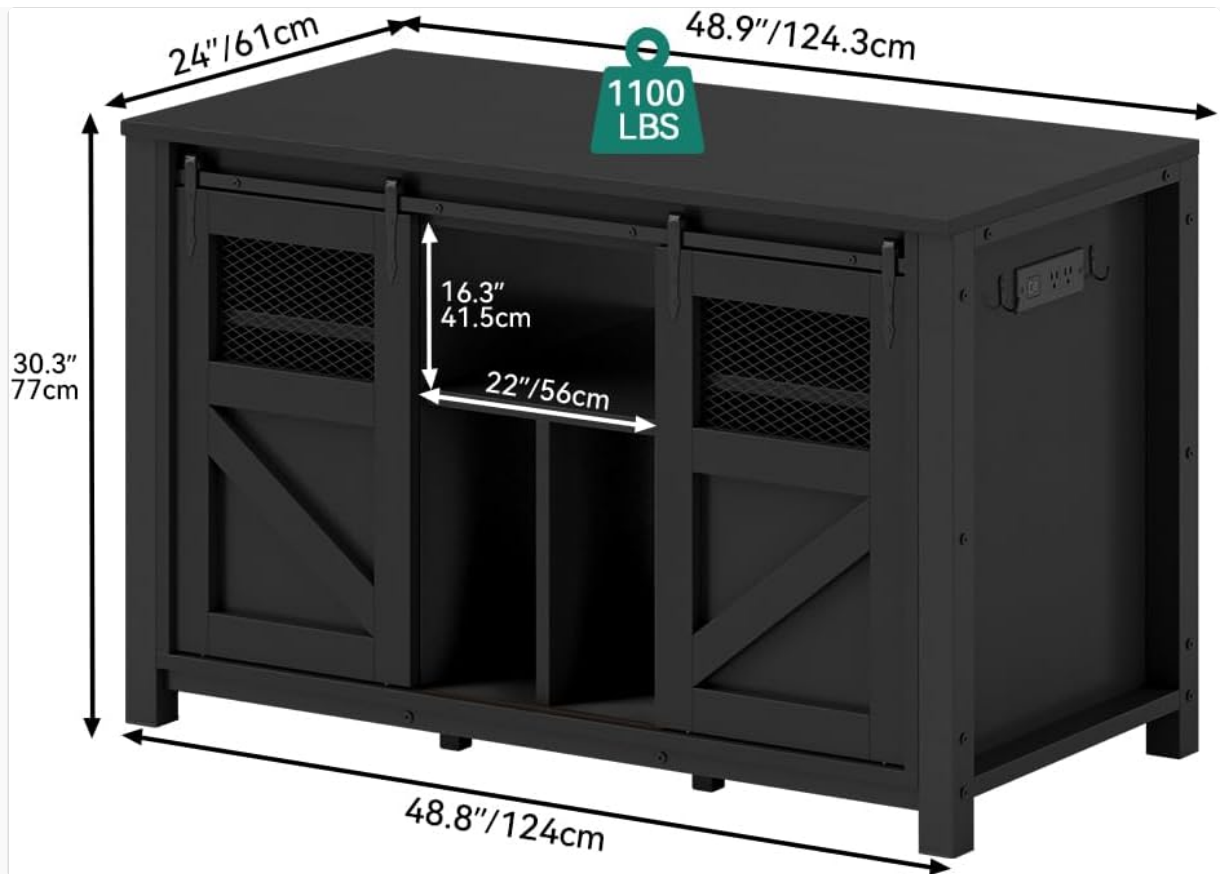


Image 3.1: Detail of the integrated power outlets.

3.2 Storage Compartments and Sliding Barn Door

The stand features 6 storage compartments to help organize your aquarium supplies. The sliding barn door allows you to conceal or reveal sections as needed.

- Slide the barn door left or right to access the hidden compartments.
- Adjust or remove the internal dividers within the hidden compartments to customize storage space.
- Utilize the two hooks on the side for hanging small accessories.



Image 3.2: Sliding barn door and adjustable internal partitions.

4. Maintenance

Proper maintenance ensures the longevity and appearance of your YITAHOME Fish Tank Stand.

- **Cleaning:** Wipe surfaces with a soft, damp cloth. Avoid abrasive cleaners or harsh chemicals that may damage the engineered wood finish.
- **Spills:** Immediately wipe up any water spills from the aquarium to prevent water damage to the stand.
- **Dust:** Regularly dust the stand to prevent accumulation, especially on the smooth surfaces where dust and pet hair may be more noticeable.
- **Hardware:** Periodically check all screws and fasteners to ensure they remain tight. Retighten if necessary.

5. Troubleshooting

This section addresses common issues you might encounter.

- **Stability Issues:** Ensure the stand is placed on a completely flat and level surface. Verify all assembly hardware is securely tightened.

- **Misaligned Holes During Assembly:** If you encounter misaligned holes, double-check the orientation of the parts against the instruction manual. Sometimes, slight adjustments or gentle pressure may be needed to align components. If a part appears defective, contact customer support.
- **Difficulty Moving the Stand:** Due to its weight, moving the assembled stand requires caution. It is recommended to have at least two people. For easier repositioning, consider placing furniture sliders under the feet before loading the aquarium.
- **Power Outlets Not Working:** Ensure the stand's main power cord is securely plugged into a functional wall outlet. Check if the circuit breaker for the outlet has tripped.

6. Specifications

Feature	Detail
Product Dimensions (L x W x H)	48.9" x 24" x 30.3" (124.3 cm x 61 cm x 77 cm)
Item Weight	116.6 Pounds (52.9 kg)
Material	Engineered Wood
Tank Volume Capacity	40-120 Gallons (top), 10 Gallons (bottom)
Weight Capacity	1100 lbs
Power Outlets	2 AC Outlets (125V/12A), 1 USB Port (5V/2A), 1 Type-C Port (5V/2A)
Power Cord Length	6.5 Feet
Assembly Required	Yes
Color	BLACK



Image 6.1: Product dimensions and weight capacity.

7. Warranty Information

This YITAHOME product is covered by a **2-Year Manufacturer Warranty**. Please retain your proof of purchase for warranty claims. For specific terms and conditions, refer to the warranty documentation included with your product or contact YITAHOME customer support.

8. Customer Support

For any questions, concerns, or assistance with your YITAHOME Fish Tank Stand, please contact YITAHOME customer support. Refer to the contact information provided in your product packaging or visit the official YITAHOME website for support options.