

TAMIYA 58741

TAMIYA 58741 1:10 RC Fighter NXGEN DT-04 Instruction Manual

Brand: TAMIYA | Model: 58741

1. INTRODUCTION

This manual provides essential information for the assembly, setup, operation, and maintenance of your TAMIYA 58741 1:10 RC Fighter NXGEN DT-04 remote controlled car kit. The DT-04 NXGEN represents the latest evolution in TAMIYA's Fighter Buggy series, designed for enthusiasts and new builders alike. This 2WD rear-wheel drive model offers both technical sophistication and visual appeal, inspired by single-seat American racing buggies.

2. SAFETY INFORMATION

Before commencing assembly, it is crucial to read and fully understand all instructions provided. If a child is assembling this model, a supervising adult must also review the building instructions. The assembly process involves the use of tools, including knives, requiring special care to prevent injury. Should any difficulties arise during assembly, consult a supervising adult, an experienced RC modeler, or a specialist dealer. Always use tools for their intended purpose; improper use carries a risk of injury. If paints and/or glue are used (these are not included in the kit), adhere to their respective safety instructions. Keep the kit components away from small children to prevent them from ingesting parts or placing plastic bags over their heads.

3. ASSEMBLY

The TAMIYA 58741 DT-04 NXGEN is supplied as a kit requiring assembly. Detailed illustrated instructions are included with the product to guide you through each step. The model features white-colored plastic parts, eliminating the need for painting the main body. The driver figure with helmet can be painted using TAMIYA X, XF, or LP colors (sold separately).

Key Assembly Features:

- **Adjustable Wheelbase:** The model can be built with two different wheelbases: 265 mm or 280 mm. This adjustment is achieved by rotating the front lower wishbone and converting the steering mechanism. A shorter wheelbase enhances agility for track performance, while a longer wheelbase

provides a more stable ride at higher speeds.

- **Steering System:** Features a new 3-piece steering system for improved control.
- **Suspension:** Equipped with high-quality oil pressure shock absorbers for effective damping.
- **Axle Carriers and Wheel Mounts:** Revised axle carriers and new hexagonal wheel mounts are included for both front and rear.
- **Steering Levers:** New steering levers are part of the updated design.

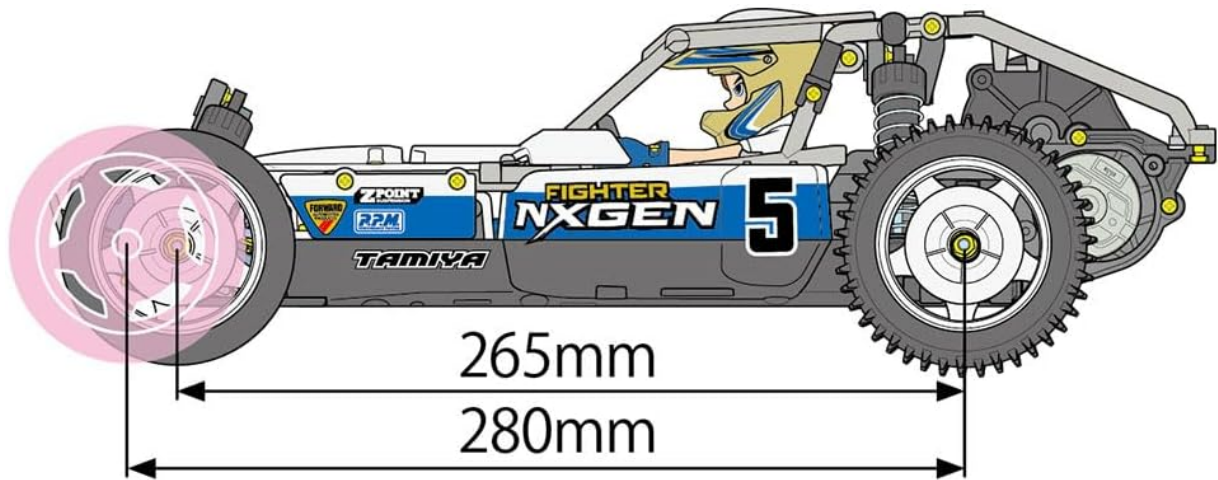


Figure 3.1: Diagram illustrating the two selectable wheelbase options (265mm and 280mm) for the DT-04 chassis.

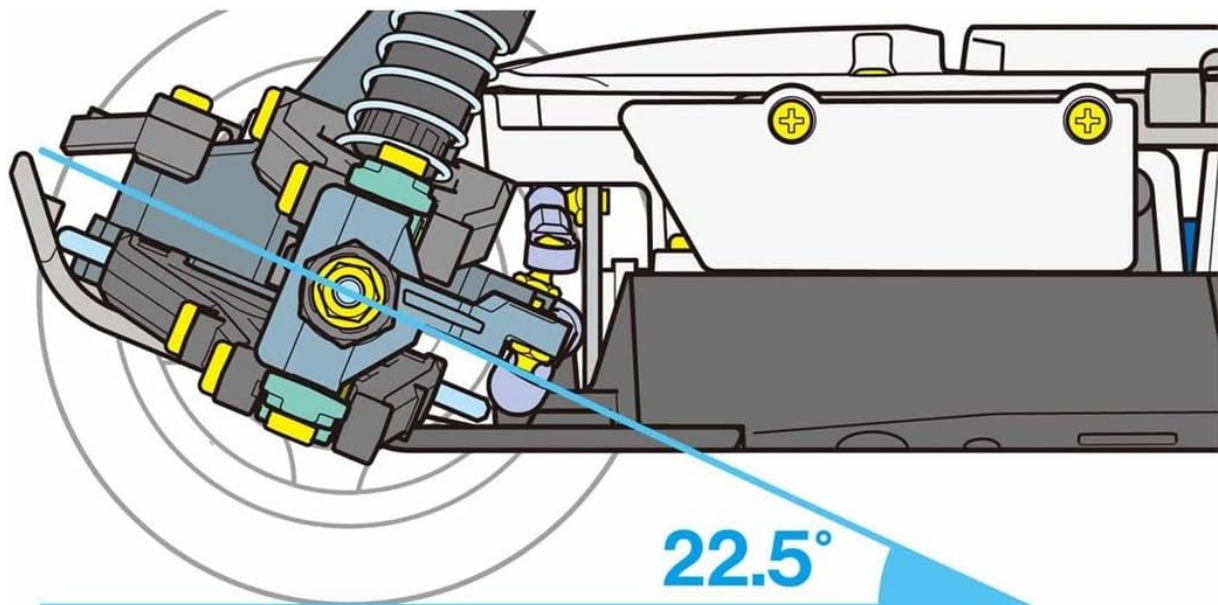


Figure 3.2: Detailed view of the front suspension and steering mechanism, indicating a 22.5-degree steering angle.

Comes with two marking options.

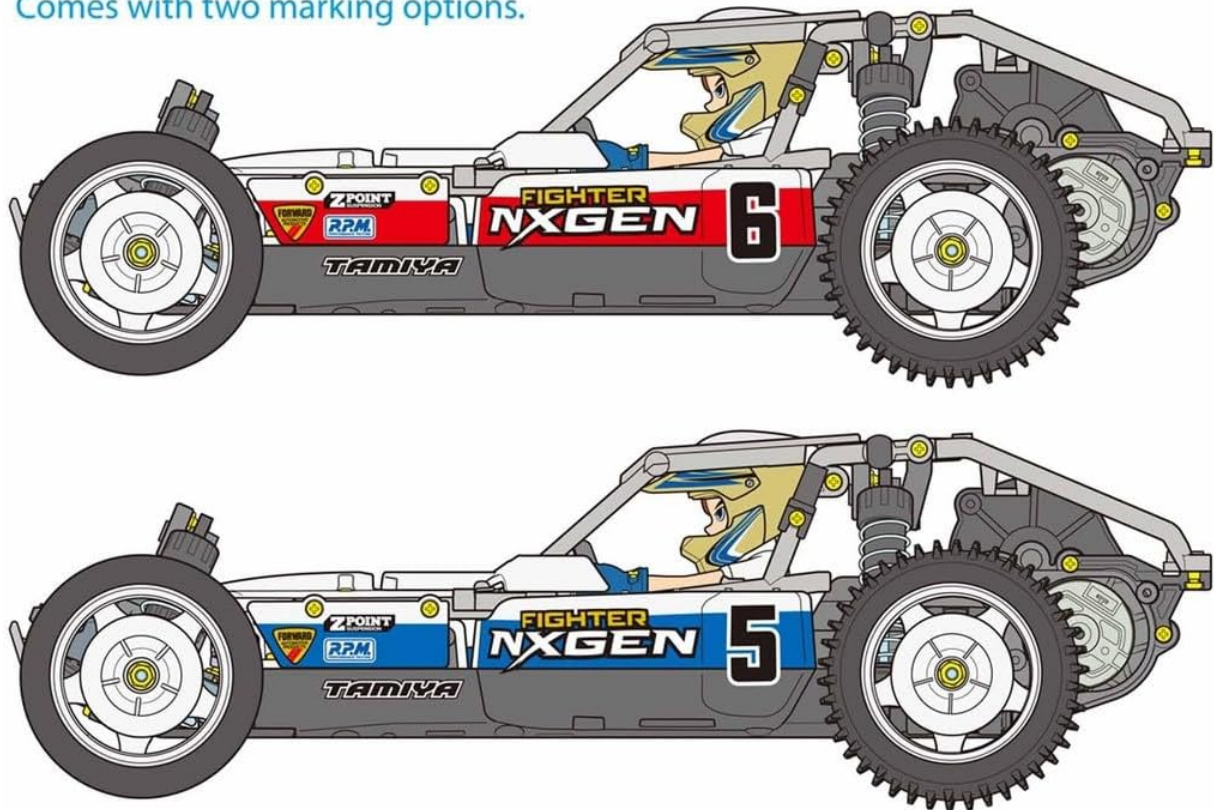


Figure 3.3: The kit includes components for two distinct marking options, allowing for customization of the vehicle's appearance.

Required Accessories (Not Included):

- Remote control with receiver
- Steering servo
- 7.2 V NiMH battery pack
- Charger (TAMIYA 500500091 recommended)
- Paints for driver figure (TAMIYA X, XF, or LP colors)

4. SETUP

Once the mechanical assembly is complete, the electronic components must be installed and connected. The kit includes an electronic speed controller (ESC) and a 540 torque tuned motor. Refer to the detailed assembly instructions for precise wiring and mounting procedures.

Electronic Component Installation:

1. Mount the 540 torque tuned motor into the gearbox assembly as per the instructions.
2. Install the electronic speed controller (ESC) in its designated location on the chassis.
3. Secure the steering servo to the chassis, ensuring its linkage to the steering mechanism is free from obstruction.
4. Connect the receiver to the ESC and steering servo.
5. Place the 7.2V NiMH battery pack into the battery compartment.
6. Ensure all wires are neatly routed and secured to prevent interference with moving parts.

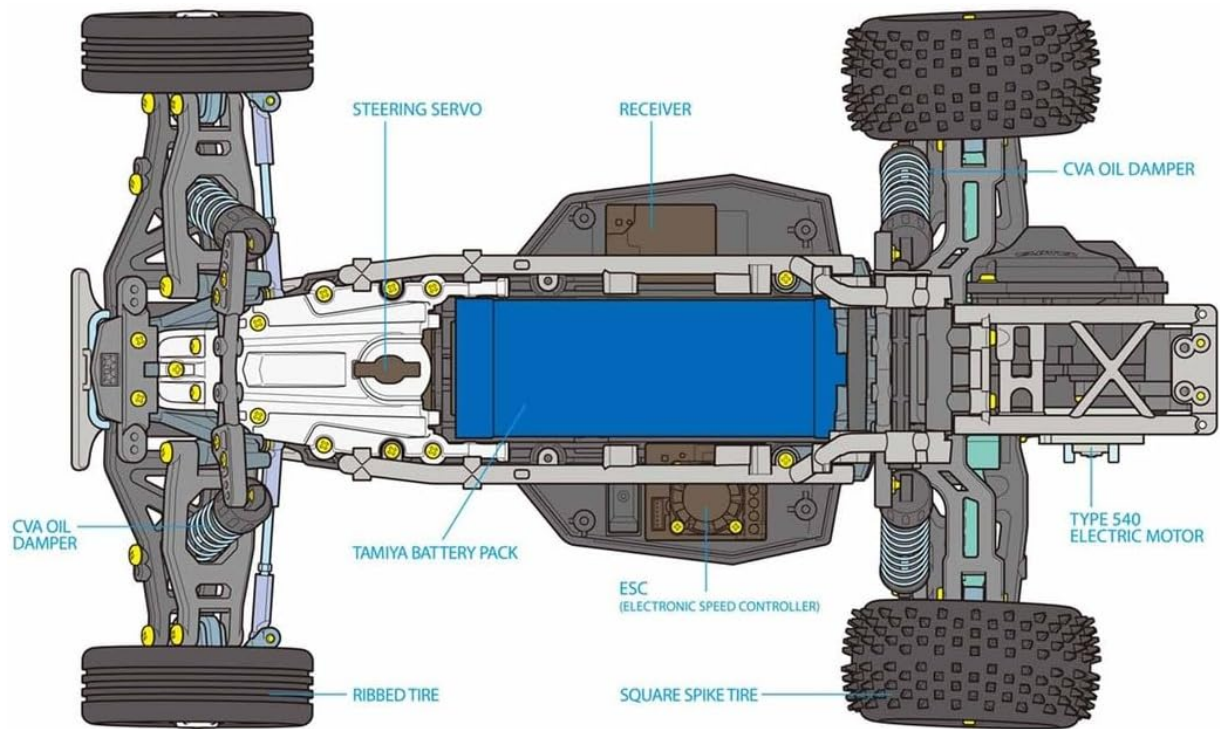


Figure 4.1: Chassis layout illustrating the placement of key electronic and mechanical components.

5. OPERATING

The TAMIYA DT-04 NXGEN is a 2WD rear-wheel drive RC buggy. Proper operation involves understanding its controls and handling characteristics.

Basic Operation:

1. Ensure the remote control and vehicle battery are fully charged and correctly installed.
2. Turn on the remote control first, then the vehicle's power switch.
3. Test steering and throttle response before driving.
4. When driving, use smooth inputs for steering and throttle to maintain control.

Handling Characteristics:

- The 2WD rear-wheel drive configuration provides responsive acceleration and can be prone to oversteer, especially on loose surfaces.
- The selectable wheelbase directly impacts handling: a **265 mm wheelbase** offers increased agility and quicker turning, ideal for technical tracks. A **280 mm wheelbase** provides greater stability and a smoother ride, particularly beneficial at higher speeds or on rougher terrain.
- The oil pressure shock absorbers contribute to stable handling over varied surfaces by effectively absorbing impacts.



Figure 5.1: The TAMIYA 58741 1:10 RC Fighter NXGEN DT-04 ready for operation.

6. MAINTENANCE

Regular maintenance is essential to ensure the longevity and optimal performance of your TAMIYA DT-04 NXGEN.

Maintenance Schedule:

- **After Each Use:** Clean the vehicle to remove dirt, dust, and debris. Inspect for any loose screws, damaged parts, or worn tires.
- **Periodically:** Check the oil pressure shock absorbers for leaks or reduced damping performance. Ensure the gearbox is free of debris and lubricate moving parts as recommended in the detailed assembly manual. Inspect the motor and ESC for signs of overheating or damage.
- **Battery Care:** Always follow the manufacturer's instructions for charging and discharging your NiMH battery pack. Store batteries in a cool, dry place.

7. TROUBLESHOOTING

This section addresses common issues you might encounter with your RC car.

Common Issues and Solutions:

- **Vehicle Not Responding:**
 - Check if both the remote control and vehicle are powered on.
 - Ensure batteries in both the remote and vehicle are fully charged and correctly installed.
 - Verify all electronic connections (motor, ESC, receiver, servo) are secure.
- **Steering Problems:**
 - Check the steering servo for proper function and connection.
 - Inspect steering linkages for obstructions or damage.
 - Ensure the steering trim on your remote control is centered.
- **Reduced Performance/Speed:**
 - Battery may be low; recharge or replace.

- Motor or ESC may be overheating; allow to cool.
- Check for excessive friction in the drivetrain (e.g., debris in gears).

- **Unusual Noises:**

- Inspect gears for damage or foreign objects.
- Check bearings for wear.

8. SPECIFICATIONS

Feature	Detail
Model Number	58741
Scale	1:10
Drive Type	2WD Rear-Wheel Drive
Chassis Type	DT-04 NXGEN
Motor	540 Torque Tuned Motor (Included)
Speed Controller	Electronic Speed Controller (Included)
Suspension	Oil Pressure Shock Absorbers
Steering	New 3-piece steering, new steering levers
Wheelbase Options	265 mm or 280 mm (adjustable)
Product Dimensions	19.09 x 13.07 x 4.37 inches
Item Weight	1 pound

9. WARRANTY AND SUPPORT

For warranty information, please refer to the official documentation included with your TAMIYA 58741 1:10 RC Fighter NXGEN DT-04 kit or visit the official TAMIYA website. Warranty terms and conditions may vary by region.

Should you require technical assistance, spare parts, or have questions not covered in this manual, please contact your authorized TAMIYA dealer or the TAMIYA customer support service in your region. Contact details can typically be found on the product packaging or the manufacturer's website.