

Manuals+

[Q & A](#) | [Deep Search](#) | [Upload](#)

manuals.plus /

- › [Harper & Bright Designs](#) /
- › [Harper & Bright Designs Queen Size Murphy Bed with Closet, Wall Bed with Drawers and Shelves, White Queen User Manual](#)

Harper & Bright Designs B0DW9418GD

Harper & Bright Designs Queen Size Murphy Bed with Closet, Wall Bed with Drawers and Shelves

Model: B0DW9418GD

Brand: Harper & Bright Designs

INTRODUCTION

This manual provides comprehensive instructions for the assembly, operation, and maintenance of your Harper & Bright Designs Queen Size Murphy Bed with Closet, Wall Bed with Drawers and Shelves. Designed to maximize room functionality, this versatile furniture piece offers a comfortable sleeping solution and integrated storage, making it ideal for optimizing living spaces.

SAFETY INFORMATION

Important Safety Precautions:

- Always ensure the bed is fully locked in place before use.
- Keep the area around the bed clear of obstacles to prevent interference with operation.
- Do not allow children to play or climb on the bed when it is in the upright (closed) position.
- Always follow the assembly instructions carefully to avoid injury and ensure proper functionality.
- Never attempt to lift or lower the bed manually; use the provided mechanism designed for safe operation.

PRODUCT OVERVIEW AND FEATURES

The Harper & Bright Designs Queen Size Murphy Bed is a space-saving solution that integrates a comfortable bed with extensive storage options. Its design allows for easy transformation of a room from a living area to a bedroom.

- **Queen Size Murphy Bed:** Maximizes room functionality by allowing the bed to be folded up when not in use, creating more floor space. Includes an under-bed storage shelf for bedding or seasonal items.
- **Integrated Storage Solutions:** Features a built-in top shelf, a side wardrobe, and two spacious storage drawers for clothes, books, and other essentials.
- **Customizable Layout:** Offers flexibility to install the wardrobe and drawers on either side of the bed to suit individual needs and room configurations.

- **Versatile Color Options:** Available in classic white or sophisticated gray to complement various interior decors.
- **Dimensions:** Bed dimensions are 120.2"L x 82.7"W x 88.5"H. Cabinet dimensions are 120.2"L x 19.8"W x 88.5"H. (Mattress not included).



Figure 1: The Murphy Bed in its closed configuration, showcasing the central bed unit flanked by storage cabinets with shelves and drawers.



Figure 2: The Murphy Bed fully extended, ready for use, integrated into a bedroom setting with the side storage units open.

SIZE: INCH

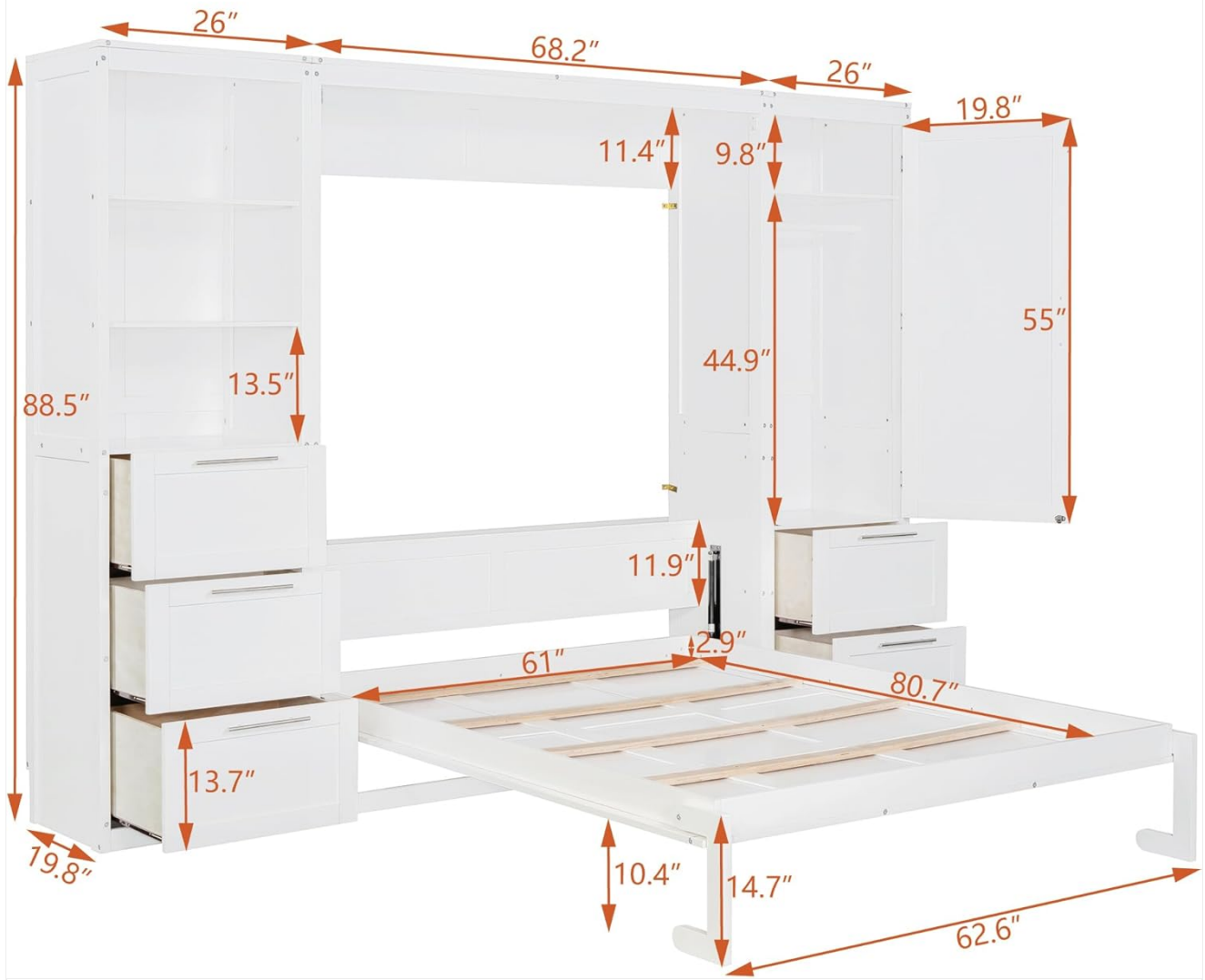


Figure 3: Detailed dimensional drawing of the Murphy Bed system, indicating key measurements for the bed frame, cabinet, and storage components.



Figure 4: The Murphy Bed in its closed state, with the side drawers extended to show internal storage space.



Figure 5: The Murphy Bed closed, with the right-side wardrobe door open, displaying the hanging rod and upper shelf for clothing storage.

SETUP AND ASSEMBLY

Assembly of the Harper & Bright Designs Murphy Bed is required. The product comes with clear instructions and all necessary tools for a hassle-free setup. It is recommended to have at least two adults for assembly due to the size and weight of the components.

Please refer to the separate detailed assembly manual included in your packaging for step-by-step instructions, parts list, and hardware identification. Ensure all parts are present before beginning assembly.

OPERATING INSTRUCTIONS

The Murphy bed mechanism is designed for smooth and safe operation. Follow these steps to extend and retract the bed:

1. To Extend the Bed:

- Ensure the area in front of the Murphy bed cabinet is clear of any obstructions.
- Gently pull the handle located on the front panel of the bed unit.
- The bed frame will smoothly lower to the floor. Guide it until it is fully extended and the support legs are

securely in place.

- Verify that the bed is stable and level before use.

2. To Retract the Bed:

- Remove all bedding, pillows, and any other items from the bed surface.
- Lift the bed frame from the foot end, guiding it upwards. The spring mechanism will assist in the lifting process.
- Continue to lift until the bed is fully upright and securely latched into the cabinet. Ensure the latch mechanism engages properly to prevent accidental lowering.

The side storage units (wardrobe and drawers) can be accessed independently of the bed's position.

MAINTENANCE

Proper maintenance will ensure the longevity and continued functionality of your Murphy bed.

- **Cleaning:** Wipe surfaces with a soft, damp cloth. Avoid harsh chemicals or abrasive cleaners that may damage the finish. For stubborn spots, a mild soap solution can be used, followed by drying with a clean cloth.
- **Mechanism Check:** Periodically inspect the bed's lifting mechanism and hinges for any signs of wear or looseness. If any issues are observed, contact customer support. Do not attempt to repair the mechanism yourself unless specifically instructed by the manufacturer.
- **Hardware:** Check all screws and fasteners periodically to ensure they remain tight. Tighten if necessary, but do not overtighten.
- **Ventilation:** Ensure adequate air circulation around the unit, especially if placed against a wall, to prevent moisture buildup.

TROUBLESHOOTING

This section addresses common issues you might encounter with your Murphy bed.

Problem	Possible Cause	Solution
Bed does not lower or lift smoothly.	Obstruction in the path; mechanism requires lubrication; loose hardware.	Clear the area around the bed. Check for any foreign objects. If mechanism feels stiff, consult the manufacturer's guide for approved lubrication points or contact support. Ensure all assembly hardware is tight.
Drawers or cabinet doors stick.	Misalignment during assembly; debris in tracks; humidity.	Check alignment of drawer slides and hinges. Clean tracks of any dust or debris. Ensure the unit is placed in a stable, level environment.
Bed feels unstable when extended.	Not fully extended; support legs not properly engaged; loose assembly hardware.	Ensure the bed is fully lowered and the support legs are locked into position. Verify all assembly hardware, especially those connecting the bed frame to the wall unit, are securely tightened.

If you encounter issues not listed here or if the suggested solutions do not resolve the problem, please contact Harper & Bright Designs customer support for assistance.

SPECIFICATIONS

Attribute	Detail
Brand	Harper & Bright Designs
Model Number	B0DW9418GD
Size	Queen
Color	White
Finish Type	Painted
Included Components	Shelves, Wardrobe, Drawers
Compatible Mattress Size	Queen
Furniture Finish	White
Assembly Required	Yes
Manufacturer	Harper & Bright Designs
UPC	198573714896
Form Factor	Murphy Bed
Date First Available	February 6, 2025

WARRANTY AND SUPPORT

For information regarding product warranty, returns, or technical support, please refer to the documentation included with your purchase or visit the official Harper & Bright Designs website. You may also contact their customer service directly for assistance with any product-related inquiries.

Contact Information: Please refer to the contact details provided on the packaging or the manufacturer's official website.

© 2025 Harper & Bright Designs. All rights reserved.

This manual is for informational purposes only. Specifications are subject to change without notice.