

## PHI VILLA GA106-WN

# PHI VILLA 13'x28'x10' Outdoor Portable Commercial Storage Shed Canopy Instruction Manual

Brand: PHI VILLA | Model: GA106-WN

## 1. INTRODUCTION AND PRODUCT OVERVIEW

This manual provides essential information for the safe and efficient assembly, operation, and maintenance of your PHI VILLA 13'x28'x10' Outdoor Portable Commercial Storage Shed Canopy, model GA106-WN. This versatile shelter is designed for various uses, including storing motorcycles, ATVs, gardening tools, or serving as an event shelter. It features a durable frame and all-season waterproof, UV-resistant materials to protect your belongings from environmental elements.

## 2. SAFETY INFORMATION

**WARNING: Heavy amounts of snow on the roof can damage the building, making it unsafe to enter. It is crucial to keep the roof clear of snow to prevent structural damage and ensure safety.**

The manufacturer cannot be held responsible for any consequences due to buildings that are not installed per instructions, or for damage due to severe weather conditions or acts of God. Always ensure proper installation and adherence to all safety guidelines.

## 3. PRODUCT FEATURES

- **Durable and Sturdy Frame:** Constructed with high-strength oval iron pipes (32x45x1.15mm) for exceptional weight capacity and structural integrity.
- **Stable Support Structure:** Features crossbars and diagonal bracing at the top for enhanced stability, particularly in challenging weather conditions.
- **Flexible Dual Zipper Roll-Up Doors:** Convenient dual zipper design allows for easy access and adjustable ventilation.
- **Effective Ventilation Design:** Each door is equipped with double-layer vents to promote airflow, preventing moisture and condensation.

- **All-Season Protection:** Waterproof and UV-resistant fabric effectively protects contents from sunlight, rain, dust, and snow.
- **Tool-Free Assembly:** Designed for quick and easy setup by following a marked sequence.

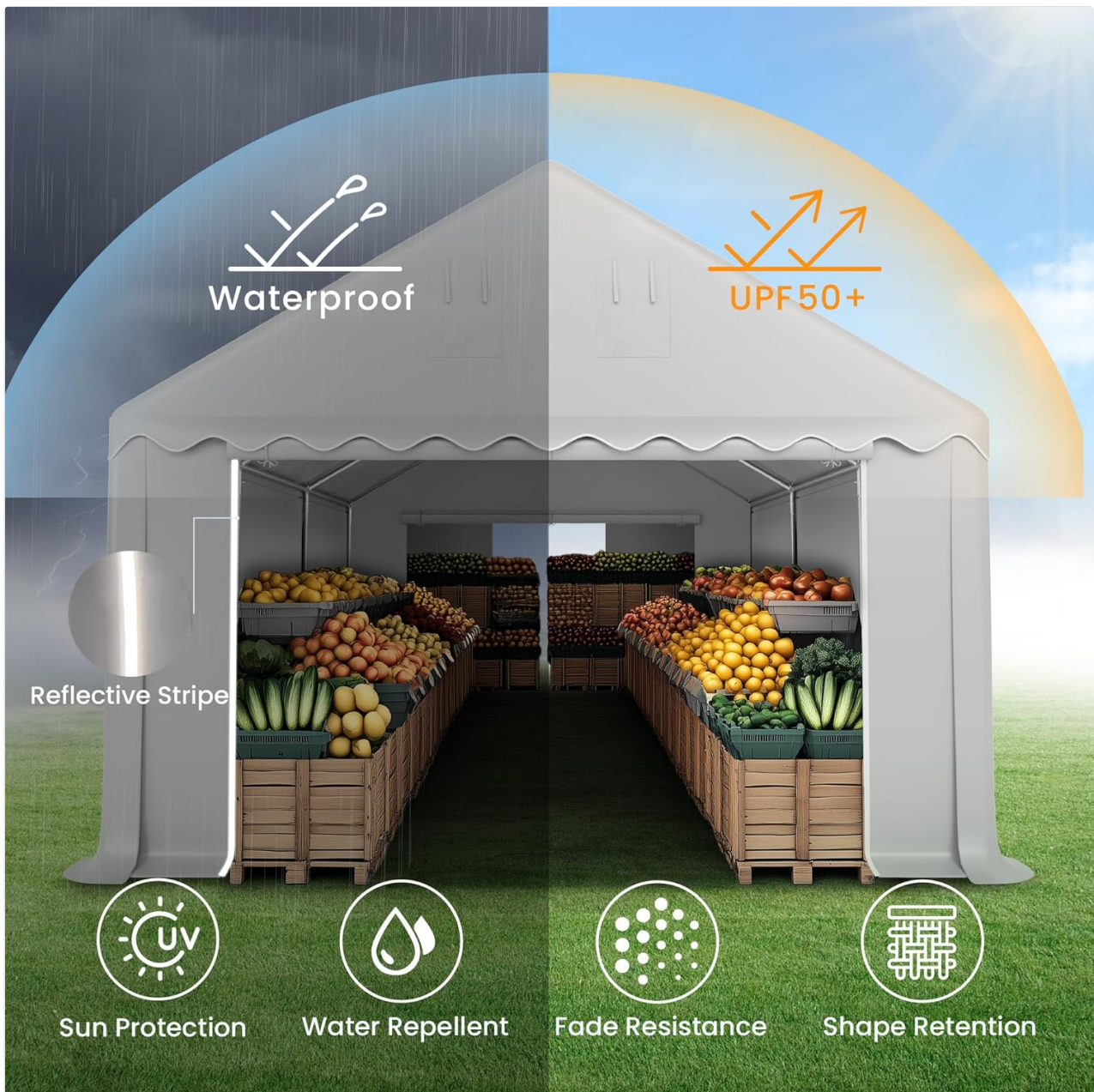


Image: The canopy material is waterproof and offers UPF50+ UV protection, ensuring contents are protected from sun and rain.

# Why Choose Us

vs

# Others

**Galvanized Pole**

Ø 38mm  
Sch 0.8mm



**Tool-free**

Tool-free,  
User-friendly



**Removable**

detachable  
side panels



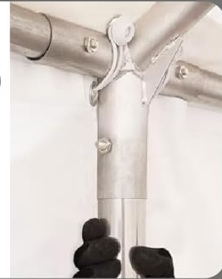
**Common pole**

Ø 35mm  
Sch 0.38mm



**Requires tools**

Needing  
tools for  
assembly



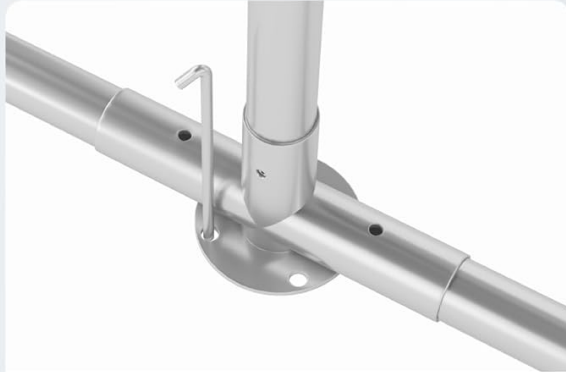
**Non-removable**

non-de-  
tachabile  
side panel



Image: Key features include a galvanized pole (38mm, Sch 0.8mm), tool-free assembly for user-friendliness, and removable side panels for versatility.

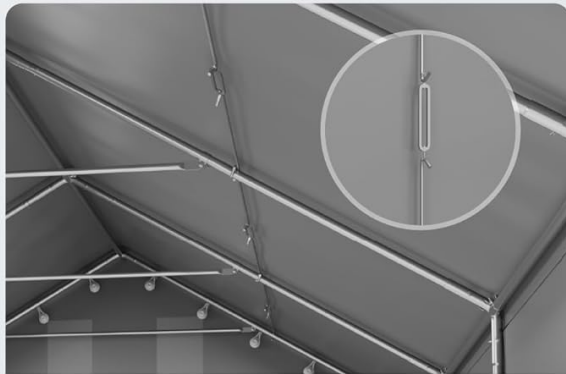
# Durable Upgraded Version



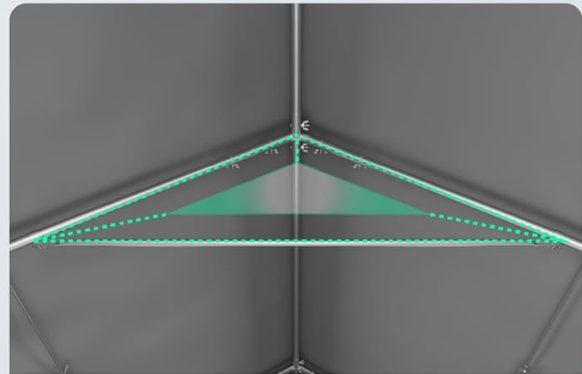
**Round three-way corner feet**  
provide superior structural stability



**Two Top Vent Mesh Windows**  
Better Airflow and Comfort



**Adjustable wire locks**  
provide increased vertical support



**Crossbars at the top**  
enhance the overall robustness of the tent

Image: Structural enhancements include round three-way corner feet for stability, two top vent mesh windows for airflow, adjustable wire locks for vertical support, and crossbars at the top for overall robustness.

## 4. SPECIFICATIONS

Attribute	Detail
Brand	PHI VILLA
Model Number	GA106-WN
Product Dimensions (L x W x H)	384" x 192" x 130" (13' x 28' x 10')
Material	Polyethylene, Galvanized Steel
Color	Gray
Frame Material	Metal, Alloy Steel
Pole Material Type	Alloy Steel, Iron

Water Resistance Level	Waterproof
Ultraviolet Light Protection	99%
Required Assembly	Yes
Estimated Installation Time	90 minutes (1-2 people)

## 5. SETUP AND ASSEMBLY

The PHI VILLA storage shed canopy is designed for easy and quick assembly with a tool-free process. Follow the marked sequence provided in the included assembly guide (not part of this document) for proper installation. It is recommended that 1-2 people perform the assembly, which typically takes about 90 minutes.

Ensure all components are present before beginning assembly. Lay out all parts and identify them according to the assembly instructions. Connect the frame components securely, utilizing the tool-free connectors and adjustable wire locks for vertical support. Attach the canopy cover and side panels as directed, ensuring a snug fit for optimal protection.

## Multiple Uses

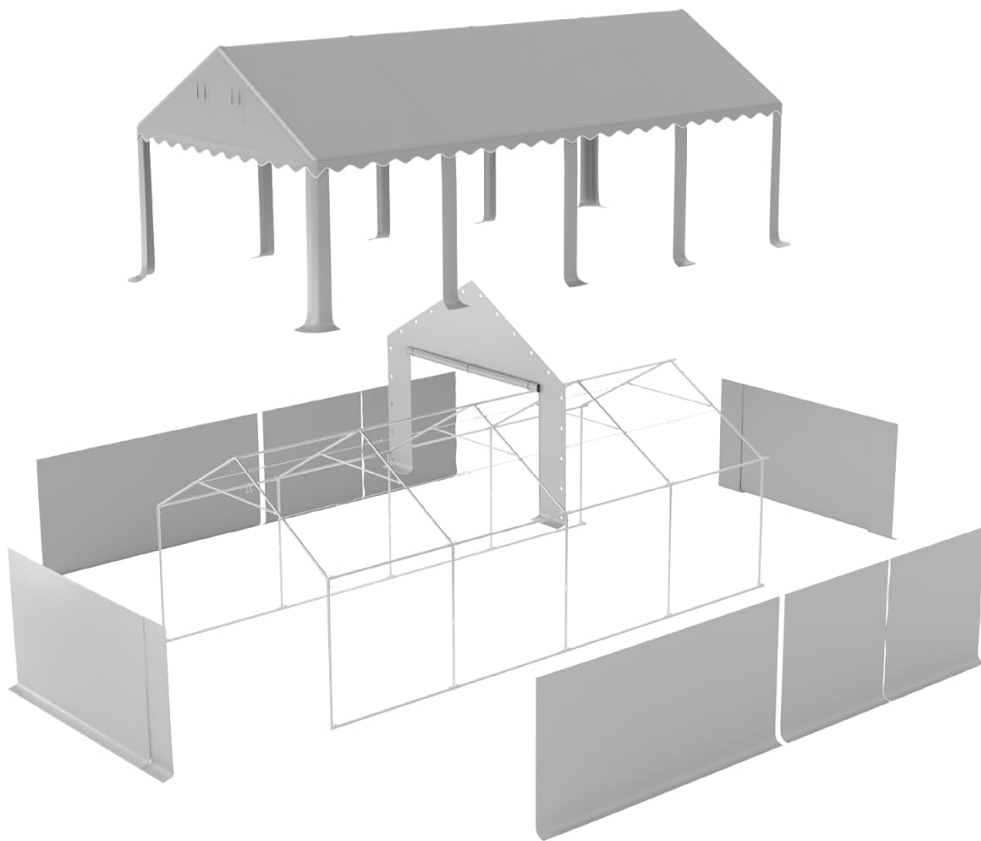


Image: An exploded view of the canopy components illustrating the frame, roof, and side panels, along with three possible configurations for use.

## 6. OPERATING INSTRUCTIONS

The canopy features flexible dual zipper roll-up doors, allowing you to easily open or roll them up for access or increased airflow. Each door is equipped with double-layer vents to promote air circulation and prevent moisture buildup inside the shelter. The adjustable PE divider allows for flexible internal space management, adapting to your storage or event needs.

### Featuring an adjustable PE divider



Image: The canopy includes an adjustable PE divider for flexible interior space and offers multiple door configurations, including middle door, small back door, and drop-down options.

## 7. MAINTENANCE

- **Snow Removal:** Regularly clear any accumulated snow from the roof. Heavy snow can cause structural damage and create unsafe conditions.
- **Cleaning:** Clean the canopy fabric with mild soap and water. Avoid harsh chemicals or abrasive cleaners that could damage the material's waterproof and UV-resistant properties.
- **Frame Inspection:** Periodically inspect the frame for any signs of wear, corrosion, or loose connections. Tighten any loose bolts or connections as needed.
- **Ventilation:** Ensure the double-layer vents are clear of debris to maintain proper airflow and prevent

condensation.

## 8. TROUBLESHOOTING

---

- **Instability:** If the canopy feels unstable, re-check all frame connections and ensure the crossbars and diagonal bracing are correctly installed. Verify that the canopy is properly anchored to the ground.
- **Water Leakage:** Ensure the canopy cover is stretched taut and properly secured to the frame. Check for any tears or punctures in the fabric.
- **Condensation:** Verify that the door vents are open and clear to allow for adequate air circulation.

For issues not resolved by these steps, please refer to the original assembly guide or contact PHI VILLA customer support for further assistance.

## 9. WARRANTY AND SUPPORT

---

The manufacturer's responsibility disclaimer states that they cannot be held responsible for consequences due to improper installation or damage from weather conditions or acts of God. Please ensure all installation instructions are followed carefully.

For product support, missing parts, or further inquiries, please contact PHI VILLA customer service through their official channels. Keep your purchase receipt and model number (GA106-WN) handy for faster service.