

Manuals+

[Q & A](#) | [Deep Search](#) | [Upload](#)

manuals.plus /

› [Electrolux](#) /

› [Electrolux 7KG BLDC Inverter Motor Washing Machine User Manual](#)

Electrolux EWF7028M6WA

Electrolux 7KG BLDC Inverter Motor Washing Machine User Manual

Model: EWF7028M6WA

Brand: Electrolux

1. INTRODUCTION

This user manual provides essential information for the safe and efficient operation of your new Electrolux 7KG BLDC Inverter Motor Washing Machine, model EWF7028M6WA. Please read this manual thoroughly before using the appliance and keep it for future reference.



Image 1.1: Front view of the Electrolux 7KG BLDC Inverter Motor Washing Machine, showcasing its clean white finish and central drum.

2. SAFETY INFORMATION

Always adhere to the following safety precautions to prevent injury or damage to the appliance.

- **Electrical Safety:** Ensure the washing machine is connected to a grounded power outlet with the correct voltage. Do not use extension cords or adapters. Disconnect power before cleaning or maintenance.
- **Water Connection:** Connect the water inlet hose securely to prevent leaks. Ensure the drain hose is properly installed to avoid flooding.
- **Transit Bolts: Crucially, remove all transit bolts from the rear of the machine before operation.** Failure to do so will cause severe vibration, noise, and potential damage to the appliance. Refer to the 'Setup' section for detailed instructions.
- **Child Safety:** Keep children and pets away from the appliance during operation. Utilize the child lock feature to prevent accidental program changes.
- **Flammable Materials:** Do not wash items that have been soiled with flammable substances (e.g., gasoline, solvents).
- **Overloading:** Do not overload the machine beyond its 7KG capacity. This can affect washing performance and cause excessive wear.

3. PRODUCT OVERVIEW

Your Electrolux washing machine is equipped with advanced features for efficient and convenient laundry care.

- **BLDC Inverter Motor:** Designed for quiet, reliable performance with reduced vibration and lower energy consumption.
- **15 Programs:** A wide range of wash cycles including Cottons, Mixed, Wool, Silk, Delicates, Down Jacket, Bedding, Tub Clean, Spin, Rinse&Spin, Extra Dirty, Hygiene, Cotton 20°C, Quick 15, ECO 40-60, and AUTO.
- **Quick 15 Cycle:** Ideal for small loads or when you need to wash items quickly.
- **Add Clothes Function:** Allows you to conveniently add forgotten items up to 15 minutes after a cycle has started.
- **Hygiene Care:** A specialized program for thorough cleaning and sanitization.

7kg



UltimateCare 100

VapourCare removes bacteria and allergens.

Inverter motor is quiet, efficient, and durable.

Quick 15 cycle the fast cycle for small loads.

Image 3.1: Overview of the washing machine highlighting its 7kg capacity and key features like VapourCare, Inverter motor, and Quick 15 cycle.

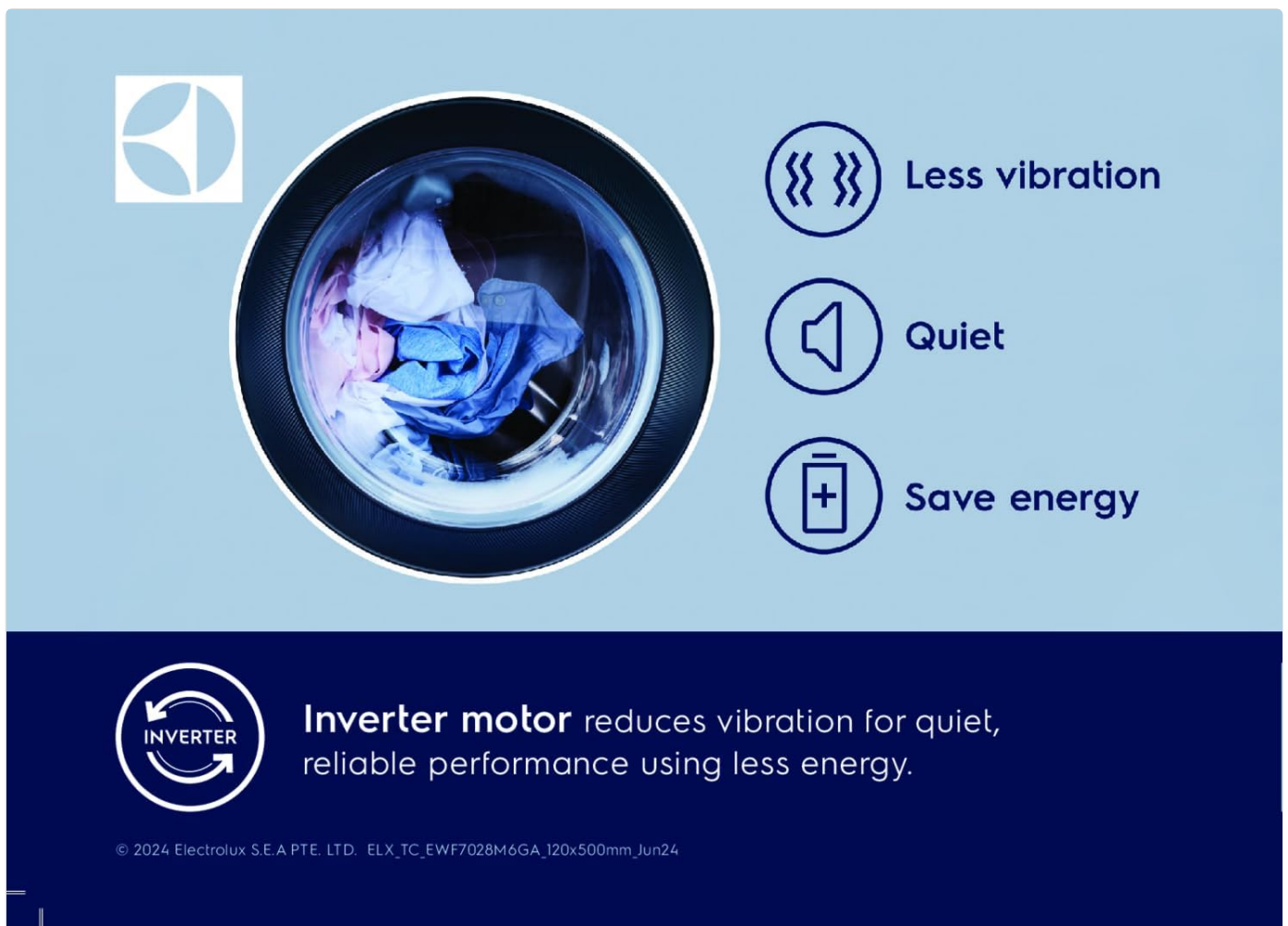


Image 3.2: Visual representation of the Inverter motor's benefits, emphasizing reduced vibration, quiet operation, and energy efficiency.

4. SETUP

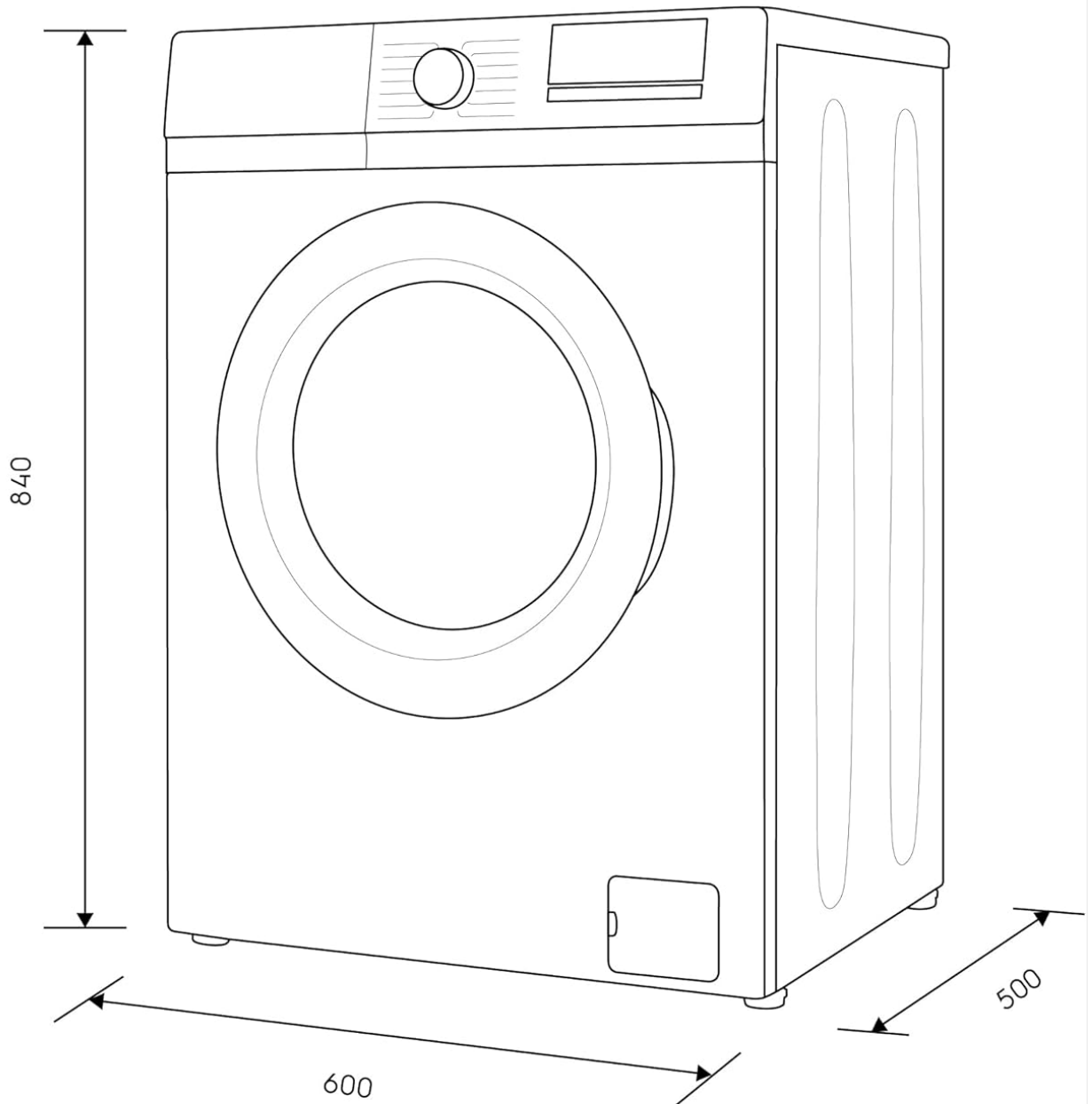
Proper installation is crucial for the performance and longevity of your washing machine.

1. **Unpacking:** Carefully remove all packaging materials.
2. **Remove Transit Bolts:** Locate and remove the transit bolts from the rear of the machine. These bolts secure the drum during transport and **must be removed** before first use. Store them for future transport if needed.
3. **Leveling:** Adjust the machine's feet to ensure it is perfectly level on the floor. Use a spirit level to verify. This minimizes vibration and noise during operation.
4. **Water Supply Connection:** Connect the inlet hose to a cold water tap. Ensure connections are tight to prevent leaks.
5. **Drain Hose Installation:** Securely place the drain hose into a standpipe or laundry tub, ensuring it is not kinked or blocked.
6. **Power Connection:** Plug the power cord into a grounded electrical outlet.



Image 4.1: The washing machine properly installed in a laundry room, demonstrating ideal placement.

Model:
EWF7028M6WA



© 2024 Electrolux S.E.A PTE. LTD. ELX_IM_Diag_EWF7028M6WA_Jul24

Image 4.2: Dimensional drawing of the washing machine, indicating height (840mm), width (600mm), and depth (500mm) for installation planning.

5. OPERATING INSTRUCTIONS

Follow these steps for typical washing machine operation.

1. **Load Laundry:** Open the door and place laundry loosely into the drum. Do not overload.
2. **Add Detergent:** Dispense appropriate detergent and fabric softener into the dispenser drawer.
3. **Select Program:** Turn the control knob to select the desired wash program (e.g., Cottons, Mixed, Quick 15).
4. **Adjust Settings (Optional):** Use the control panel buttons to adjust temperature, spin speed, or select additional functions like Delay Start or Extra Rinse.

5. **Start Cycle:** Press the Start/Pause button to begin the wash cycle.
6. **Add Forgotten Clothes:** If you forget an item, you can press the Start/Pause button and add clothes within the first 15 minutes of the cycle. The machine will pause, allowing you to open the door. Close the door and press Start/Pause again to resume.
7. **End of Cycle:** The machine will signal when the cycle is complete. Remove laundry promptly.



Image 5.1: Detailed view of the control panel, showing the program selection knob, digital display, and function buttons.



Image 5.2: Illustration of the Quick 15 cycle, suitable for washing a few items quickly.



Conveniently **add forgotten clothes** up to 15 minutes after the cycle starts.

Image 5.3: Demonstration of the Add Clothes feature, allowing users to insert forgotten garments during the initial phase of a wash cycle.

6. PROGRAMS AND CYCLES

The Electrolux EWF7028M6WA offers a variety of programs to suit different fabric types and washing needs:

Program	Description
Cottons	For durable cotton items.
Mixed	For mixed loads of cotton and synthetics.
Wool	Gentle wash for woolens.
Silk	Delicate cycle for silk items.
Delicates	For fragile garments.
Down Jacket	Specialized program for down-filled items.
Bedding	For larger items like duvets and sheets.
Tub Clean	Self-cleaning cycle for the washing machine drum.
Spin	Drains water and spins laundry.
Rinse&Spin	Rinses and spins laundry.

Program	Description
Extra Dirty	For heavily soiled items.
Hygiene	For hygienic cleaning, removing allergens and bacteria.
Cotton 20°C	Energy-saving cotton wash at low temperature.
Quick 15	Fast wash for small, lightly soiled loads.
ECO 40-60	Energy-efficient program for normally soiled cotton or mixed items washable at 40°C or 60°C.
AUTO	Automatically adjusts settings based on load.

7. MAINTENANCE

Regular maintenance ensures optimal performance and extends the life of your washing machine.

- **Drum Cleaning:** Use the "Tub Clean" program regularly to prevent odor and residue buildup.
- **Detergent Dispenser:** Clean the detergent dispenser drawer periodically to remove any detergent or softener residue.
- **Door Seal:** Wipe the rubber door seal after each wash to prevent mold and mildew growth. Leave the door slightly ajar when not in use to allow air circulation.
- **Filter Cleaning:** Refer to the manual for instructions on how to clean the drain pump filter. This should be done periodically to remove lint and small objects.
- **Exterior Cleaning:** Wipe the exterior with a soft, damp cloth. Do not use abrasive cleaners.



Image 7.1: The washing machine with its door open, illustrating easy access for drum and seal cleaning.

8. TROUBLESHOOTING

Before contacting service, try these solutions for common issues:

Problem	Possible Cause / Solution
<p>Excessive Vibration/Noise</p>	<ul style="list-style-type: none"> ◦ Transit bolts not removed: Ensure all transit bolts are removed from the rear of the machine. ◦ Uneven surface: Adjust the machine's feet to ensure it is level. ◦ Uneven load: Redistribute laundry inside the drum.

Problem	Possible Cause / Solution
Machine Not Starting	<ul style="list-style-type: none"> ◦ Power supply: Check if the machine is plugged in and the power outlet is working. ◦ Door not closed: Ensure the door is fully closed and latched. ◦ Water supply: Check if the water tap is open.
Water Leaking	<ul style="list-style-type: none"> ◦ Hose connections: Check if inlet and drain hoses are securely connected. ◦ Detergent overdose: Use the correct amount of detergent. ◦ Drain filter: Check and clean the drain pump filter.
Poor Washing Results	<ul style="list-style-type: none"> ◦ Overloading: Reduce load size. ◦ Incorrect detergent: Use appropriate detergent for the load and water hardness. ◦ Wrong program: Select a suitable wash program for the fabric type and soil level.

9. SPECIFICATIONS

Detailed technical specifications for the Electrolux EWF7028M6WA washing machine:

Feature	Detail
Brand Name	Electrolux
Model Info	EWF7028M6WA
Product Dimensions (D x W x H)	50 x 60 x 84 cm
Capacity	7 Kilograms
Max Spin Speed	1200 RPM
Noise Level	58 dB
Installation Type	Freestanding
Special Features	Child Lock, Delay Start, Drum Clean, High Efficiency, Inverter
Color	White
Control Console	Knob
Access Location	Front Load
Included Components	Drain Hose, Power Cord
Item Weight	60 Kilograms
Date First Available	4 February 2025

10. WARRANTY AND SUPPORT

Your Electrolux washing machine comes with a manufacturer's warranty. For specific warranty terms and conditions,

please refer to the warranty card included with your product or visit the official Electrolux website.

For technical support, service requests, or spare parts, please contact Electrolux customer service. Have your model number (EWF7028M6WA) and serial number ready when you call.

You may also find additional support and FAQs on the [Electrolux Official Store on Amazon](#).