

Klarstein SmartSlim

Klarstein SmartSlim 45 cm Built-in Oven

Model: SmartSlim | Brand: Klarstein

1. INTRODUCTION

Thank you for choosing the Klarstein SmartSlim 45 cm Built-in Oven. This appliance is designed to offer efficient and versatile cooking for your kitchen. With a generous 49-liter capacity and 9 distinct functions, it is suitable for preparing meals for the entire family. Key features include steam cleaning for easy maintenance, a removable glass door, and an Energy Class A rating for energy efficiency. This manual provides essential information for safe installation, operation, and care of your new oven.

2. SAFETY INSTRUCTIONS

Please read these safety instructions carefully before using the appliance and keep them for future reference. Incorrect use may lead to injury or damage.

- **Electrical Safety:** Ensure the oven is correctly earthed and connected to a power supply that matches the specifications (220-240V, 50Hz). Do not use extension cords or adapters.
- **Installation:** Installation must be performed by a qualified technician in accordance with local regulations. Ensure adequate ventilation around the appliance.
- **Hot Surfaces:** The oven and its accessible parts become hot during use. Exercise caution to avoid touching heating elements. Keep children away.
- **Cleaning:** Always disconnect the appliance from the power supply before cleaning. Allow the oven to cool down completely.
- **Supervision:** Never leave the oven unattended during operation, especially when cooking with oil or fat.
- **Damage:** Do not operate the oven if it is damaged. Contact customer service for repairs.

3. PRODUCT OVERVIEW

The Klarstein SmartSlim oven combines a compact design with powerful performance, making it an ideal choice for modern kitchens. It features a spacious interior, intuitive controls, and multiple cooking functions.



Figure 3.1: Klarstein SmartSlim 45 cm built-in oven, white, with digital display and control knobs.

Key Features:

- **49-Liter Capacity:** The enameled cavity provides ample space for family meals.
- **9 Cooking Functions:** Includes top grill, turbo cooking, and fan-assisted grilling for versatile meal preparation.
- **Steam Cleaning Function:** Simplifies maintenance by softening grime.
- **Removable Glass Door:** Facilitates easy and thorough cleaning.

- **Digital Timer:** Ensures precise cooking control.
- **Energy Class A:** Efficient operation minimizes energy consumption.



Slim fit for your kitchen

Its 45cm slim design suits
any space, especially that
of smaller kitchens

Figure 3.2: Interior view of the Klarstein SmartSlim oven, showing the 49-liter capacity and chrome-plated shelf slides.

All-around cooking convenience

49L capacity: delicious meals for all the family

Chrome-plated shelf slides

Removable glass door - super easy to clean


KLARSTEIN



Figure 3.3: Close-up of the oven's control panel, featuring a digital timer display and rotary knobs.

4. SETUP AND INSTALLATION

The Klarstein SmartSlim oven is designed for built-in installation. Proper installation is crucial for safety and optimal performance. Refer to the diagram below for dimensions and ensure your cabinet opening meets the requirements.

Installation Steps:

1. **Unpacking:** Carefully remove the oven from its packaging. Inspect for any damage.
2. **Cabinet Preparation:** Ensure the cabinet opening dimensions match the oven's requirements. The oven dimensions are approximately 55 cm (depth) x 45 cm (width) x 59.5 cm (height).
3. **Electrical Connection:** Connect the oven to a suitable earthed power outlet (220-240V, 50Hz). This should be done by a qualified electrician.
4. **Securing the Oven:** Slide the oven into the cabinet opening and secure it using the provided screws.
5. **First Use:** Before cooking, operate the empty oven at maximum temperature for approximately 30 minutes to burn off any manufacturing residues. Ensure good ventilation during this process.

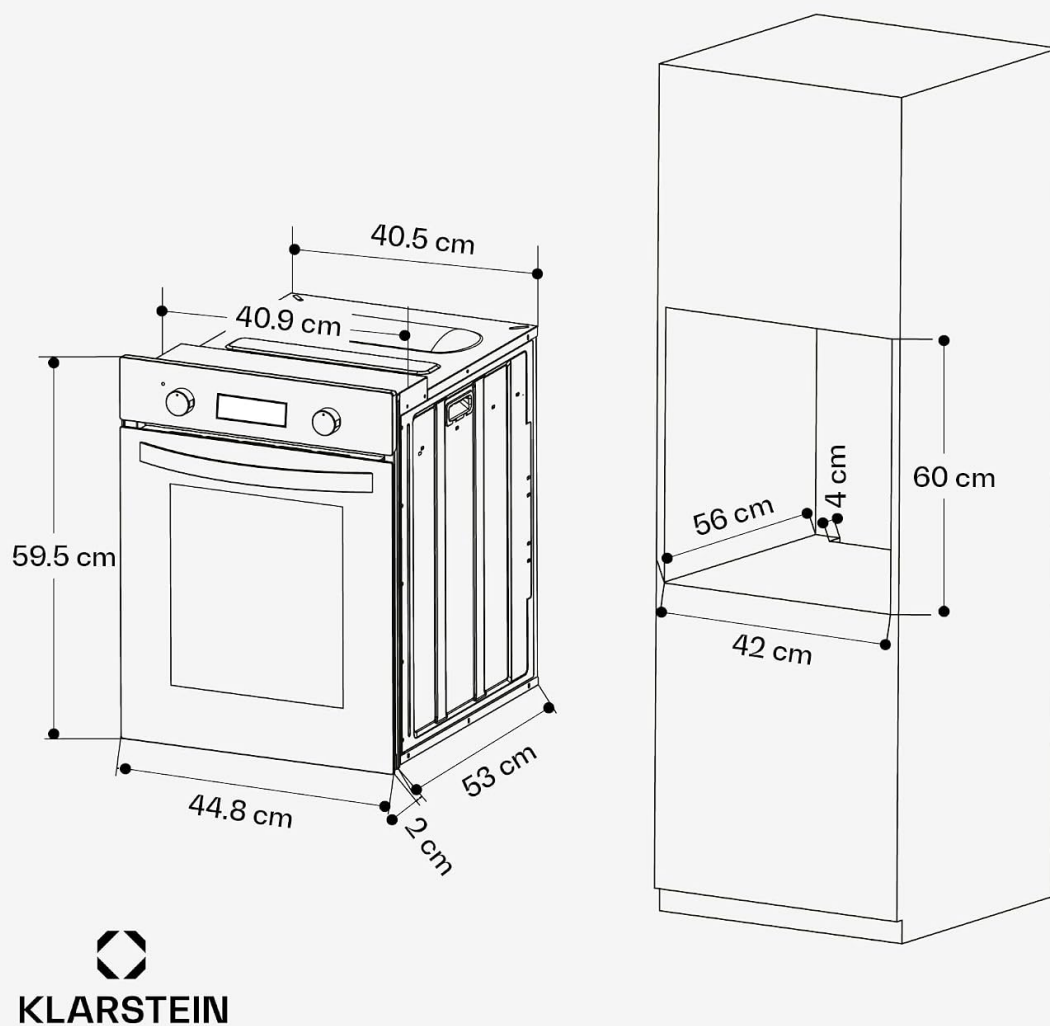


Figure 4.1: Dimensions of the oven and recommended cabinet cutout.

5. OPERATING INSTRUCTIONS

Your Klarstein SmartSlim oven offers 9 versatile cooking functions to suit various culinary needs. Use the control knobs and digital timer for precise temperature and time settings.

Cooking Functions:

- **Conventional Cooking:** Top and bottom heating elements for traditional baking and roasting.
- **Top Grill:** Ideal for grilling smaller items or browning dishes.
- **Fan-Assisted Grilling:** Combines grilling with fan circulation for even browning and faster cooking. Heat is circulated evenly throughout the cavity and distributed more evenly onto the food, making it faster to grill and avoiding food burning or overcooking.
- **Turbo Cooking:** Utilizes a fan with a circular heating element for rapid and even cooking, suitable for multiple dishes simultaneously.
- **Defrost:** Gentle fan circulation without heat to thaw frozen foods.
- *Additional functions may include bottom heat, fan-assisted conventional, etc. Refer to the specific*

symbols on your control panel.

Using the Digital Timer:

The digital timer allows you to set cooking duration or program delayed starts. Consult the control panel diagram (Figure 3.3) for button layout. Typically, you will press a timer button, adjust the time using '+' and '-' buttons, and confirm with 'OK' or a similar button.



Figure 5.1: Oven interior during fan-assisted grilling, ensuring even heat distribution.

6. MAINTENANCE AND CLEANING

Regular cleaning and maintenance will prolong the life of your oven and ensure hygienic cooking. Always ensure the oven is cool and disconnected from the power supply before cleaning.

Steam Cleaning Function:

The steam cleaning function helps to soften baked-on food residues, making them easier to wipe away without harsh chemicals.

1. Pour approximately 200 ml of water into the bottom of the oven cavity.
2. Select the steam cleaning function (refer to your control panel for the specific symbol).

3. Run the cycle for the recommended duration (usually 15-20 minutes).
4. Once the cycle is complete and the oven has cooled, wipe the interior with a soft cloth.

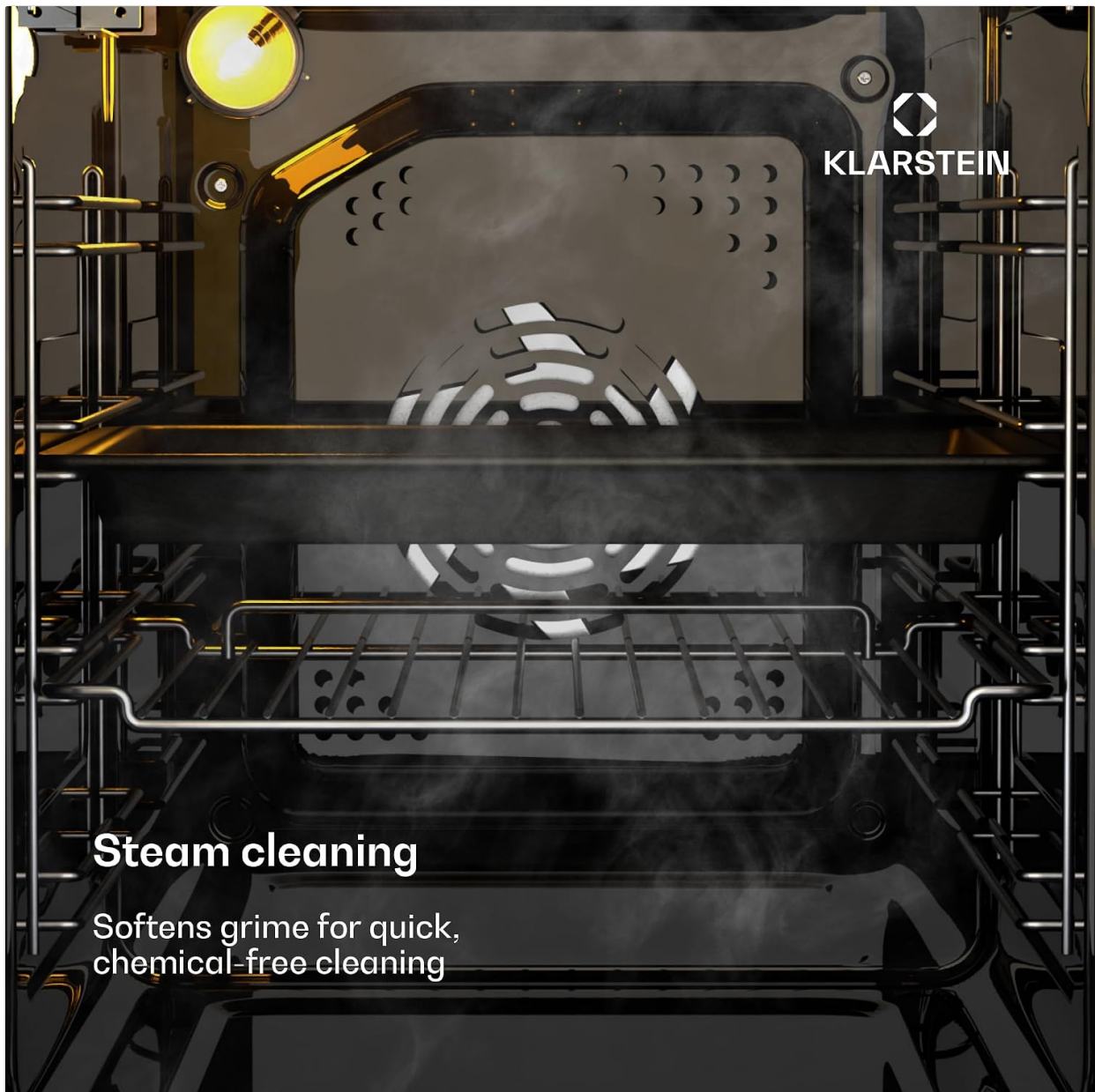


Figure 6.1: Steam cleaning in progress, softening grime for easy removal.

Removable Glass Door:

For thorough cleaning, the inner glass panels of the oven door can be removed. Consult the specific instructions in your full manual for the exact procedure, as it varies by model. Typically, this involves opening the door fully, releasing clips, and carefully sliding out the glass panels.

General Cleaning:

- Clean the exterior with a soft, damp cloth and mild detergent. Avoid abrasive cleaners.
- Clean oven racks and accessories with warm soapy water.
- Wipe down the interior after each use to prevent food buildup.

7. TROUBLESHOOTING

If you encounter any issues with your oven, refer to the following common problems and solutions before contacting customer service.

Problem	Possible Cause	Solution
Oven does not heat up	No power supply; Door not closed properly; Function/temperature not set.	Check power connection and circuit breaker; Ensure door is fully closed; Set desired function and temperature.
Uneven cooking	Incorrect rack position; Overcrowding the oven; Faulty heating element.	Use recommended rack positions; Do not overcrowd; Contact service if element is suspected.
Oven light not working	Bulb needs replacement.	Replace the oven bulb (ensure oven is cool and unplugged).
Excessive smoke during cooking	Food residue or grease buildup; High fat content food.	Clean the oven thoroughly; Use a drip tray for fatty foods.

8. SPECIFICATIONS

Feature	Specification
Brand	Klarstein
Model Name	SmartSlim
Part Number	OV15-KL-SS-45Slim-Wh
Size	45 cm
Color	White
Capacity	49 Liters
Power	2000 W
Voltage	220 Volts
Heating Method	Convection
Installation Type	Built-in
Product Dimensions (D x W x H)	55 cm x 45 cm x 59.5 cm
Product Weight	24 Kilograms
Special Features	Steam cleaning, Removable door, Programmable, LED display, Adjustable, Scratch-resistant, Digital timer

Feature	Specification
Timer Function	Available
Door Opening Direction	Reversible
Defrost System Type	Automatic defrosting
Material	Stainless Steel, Glass

For more detailed product information, you can refer to the EPREL database:

<https://eprel.ec.europa.eu/qr/2247979>

9. WARRANTY AND SUPPORT

Your Klarstein SmartSlim oven comes with a manufacturer's warranty. For warranty claims, technical support, or spare parts, please contact Klarstein customer service.

Contact Information:

- **Seller:** Klarstein Deutschland
- **Website:** <https://www.elektronik-star.de/info/impressum/>
- **Email:** info@electronic-star.de
- **Phone:** +493001385500

Please have your model number (SmartSlim) and part number (OV15-KL-SS-45Slim-Wh) ready when contacting support.