

[Manuals.plus](#) /

> [Hikity](#) /

> Hikity Android 15 Car Stereo User Manual for Citroen Berlingo/Peugeot Partner (4+64GB)

Hikity Hikity-A7878A3453H1MI2EU26-C304 (4+64GB)

Hikity Android 15 Car Stereo User Manual

MODEL: **HIKITY-A7878A3453H1MI2EU26-C304 (4+64GB)**

Compatible with Citroen Berlingo 2015-2018 / Peugeot Partner 2008-2019

1. Introduction

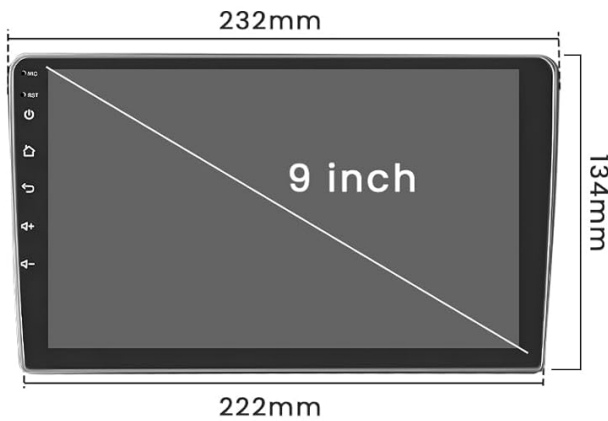
This manual provides detailed instructions for the installation, operation, and maintenance of your Hikity Android 15 Car Stereo. This unit is designed to enhance your driving experience with advanced features such as wireless CarPlay, Android Auto, GPS navigation, and a high-resolution touchscreen. Please read this manual thoroughly before use to ensure proper installation and optimal performance.

2. Package Contents

Verify that all items listed below are included in your package:

- Android Car Stereo Unit
- Canbus Decoder
- GPS Antenna
- AHD Rear View Camera
- External Microphone
- Power Cable
- USB Cables (x2)
- Camera Input Cable
- RCA Cable
- Installation Tool

Product Size & List



- 1. Power Cable
- 2. RCA Input/Output
- 3. Camera Input
- 4. USB Cable
- 5. GPS Antenna
- 6. Radio Antenna

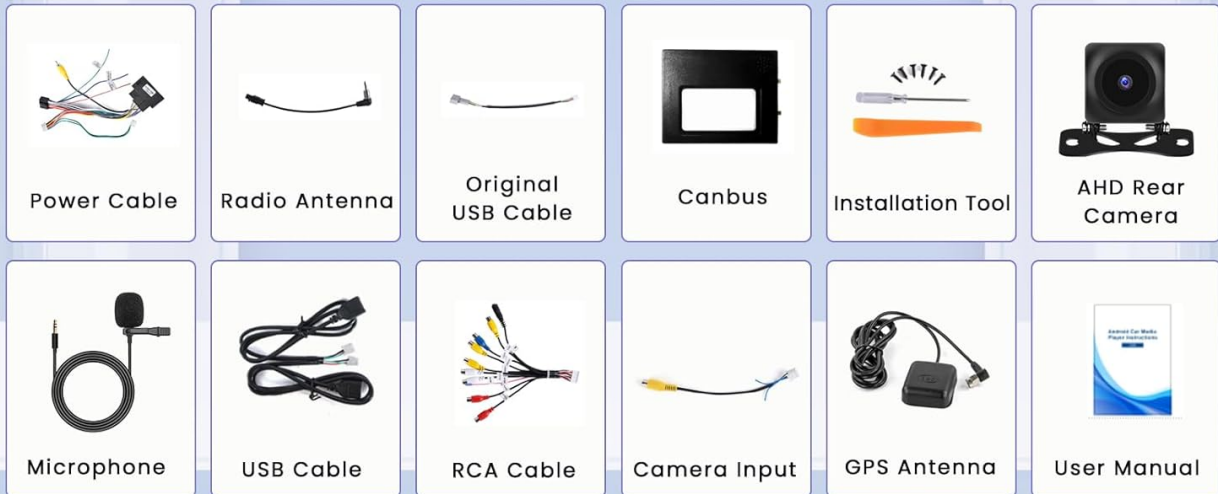


Image: Product dimensions, rear port layout, and a visual list of all included accessories.

3. Setup and Installation

3.1 Vehicle Compatibility

This car stereo is specifically designed for a perfect fit and integration with:

- Citroen Berlingo (2015-2018)
- Peugeot Partner (2008-2019)

For Citroen Berlingo B9 2008-2017/ Peugeot Partner 2008-2019

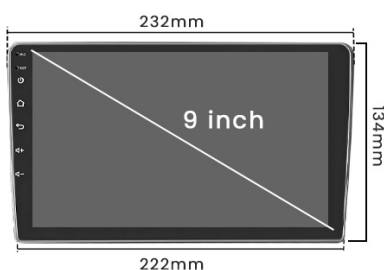


Image: Car stereo integrated into a compatible vehicle dashboard.

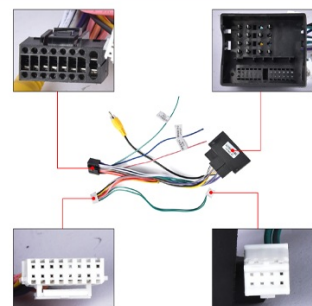
3.2 Wiring and Connections

Refer to the wiring diagram provided with your unit for specific connections. Ensure all cables are securely connected to their corresponding ports. Incorrect wiring can damage the unit or vehicle electronics.

Product Details



- 1.Power Cable
- 2.RCA Input/Output
- 3.Camera Input
- 4.USB Cable
- 5.GPS Antenna
- 6.Radio Antenna



3.3 Backup Camera Installation

The included AHD rear view camera provides parking assistance. Connect the camera as follows:

1. Connect the red cable (power) to the vehicle's backup light positive ('+').
2. Connect the black cable (ground) to the vehicle's ground ('GND').
3. Plug the video signal cable into the camera input port on the car stereo.

To activate guidelines: Navigate to Car Info > About > Custom Set. Turn on 'show dynamic trackline' and 'show static trackline'.



Image: Backup camera wiring diagram.



Image: Example of backup camera display with parking guidelines.

3.4 Steering Wheel Control Setup

To enable original steering wheel controls:

1. Go to **Settings > Factory Settings** (Password: 1234).
2. Select **Protocol settings**.
3. Choose the correct **Protocol Box Brand** (refer to the label on your Canbus protocol box).
4. Follow the on-screen instructions to learn each steering wheel button function.

Package List

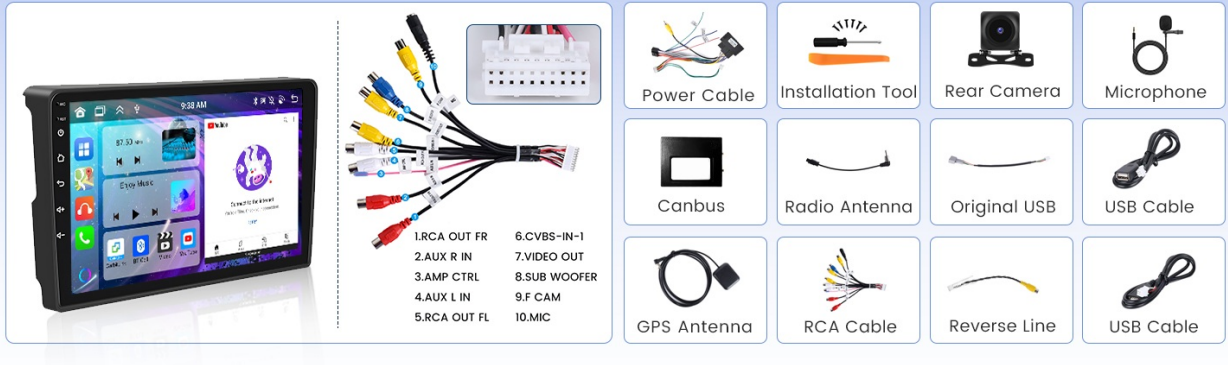


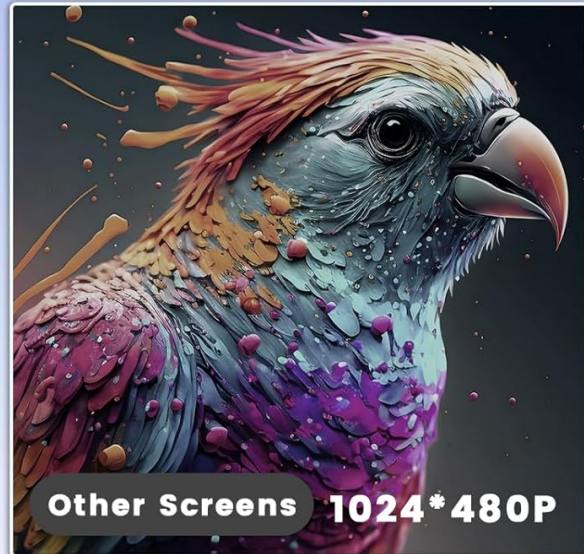
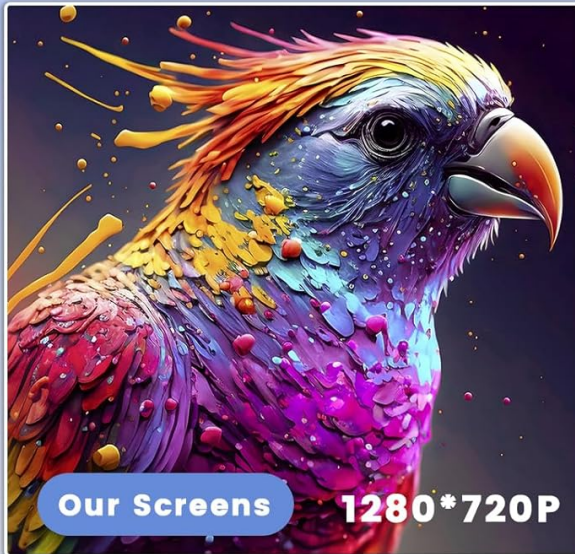
Image: Steering wheel control learning interface.

4. Operating Instructions

4.1 Touchscreen Display

The unit features a 9-inch IPS capacitive touchscreen with a resolution of 1280x720, providing clear and vibrant visuals. Use gentle touches for navigation and selections.

1280*720 IPS Touchscreen



Vivid Image



IPS 178°



2.5D

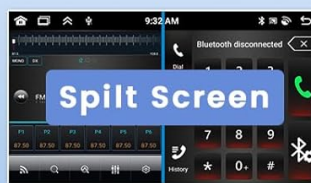


Image: High-resolution IPS touchscreen display.

4.2 Wireless and Wired CarPlay & Android Auto

Connect your smartphone seamlessly via Bluetooth or USB cable to access CarPlay or Android Auto. This allows for integrated use of navigation, music, messages, and voice assistants (Siri/Google Assistant) directly from the car stereo display.

Wireless or Wired Connection to Your Phone

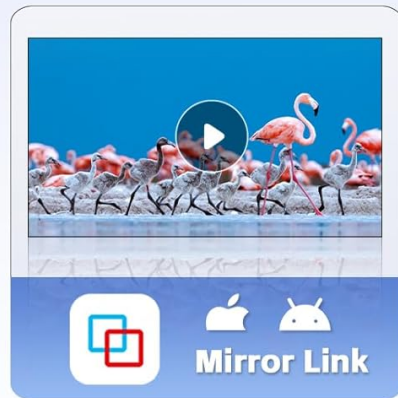
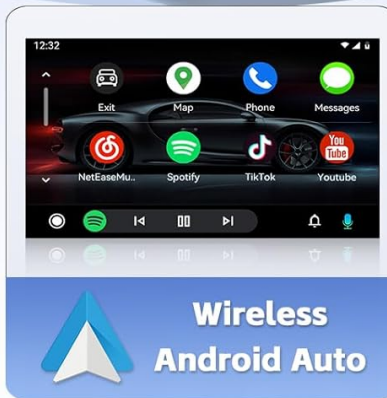


Image: Wireless and wired connectivity for CarPlay and Android Auto.

4.3 GPS Navigation and Wi-Fi

Utilize the built-in GPS for navigation with both online and offline maps. Connect to Wi-Fi or a mobile hotspot to access real-time traffic updates, browse the internet, stream videos, and download applications from the app store.

GPS Navigation/WIFI



4.4 Bluetooth 5.0 and Voice Control

Bluetooth 5.0 ensures faster transmission speeds for hands-free calling, phonebook download, and audio streaming. Use voice commands via Siri or Google Assistant for safe operation while driving.

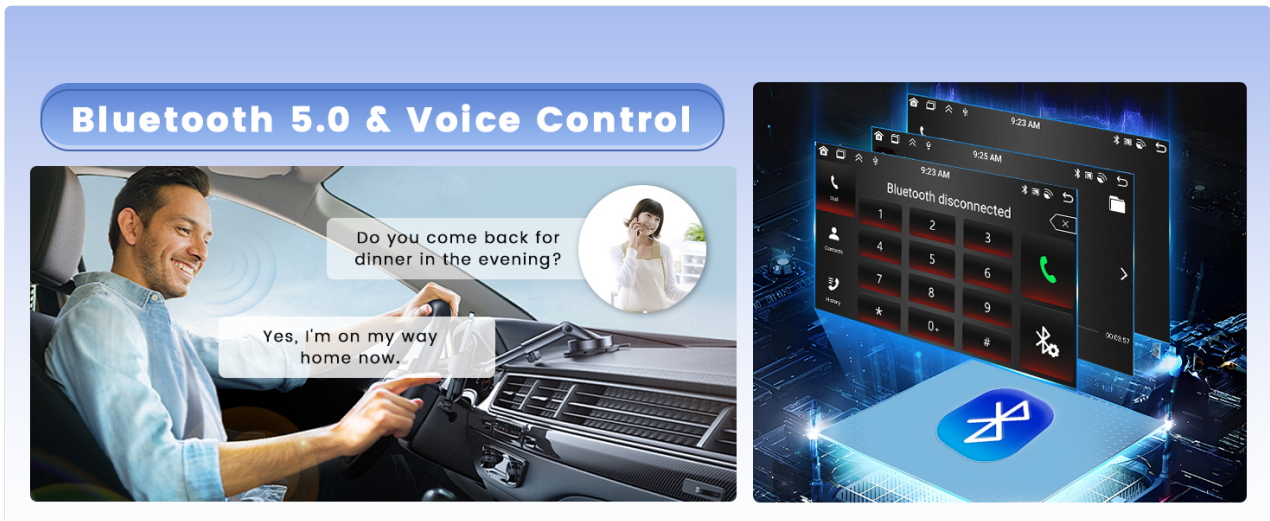


Image: Bluetooth 5.0 hands-free calling and voice control.

4.5 FM/RDS Radio and 32-Band DSP

The unit includes an FM/RDS radio with 30 preset stations to keep you informed and entertained. The pre-installed 32-band DSP (Digital Sound Processor) software allows for precise audio frequency adjustments, optimizing your sound experience.



Image: FM/RDS radio interface and 32-band DSP equalizer settings.

4.6 User Interface and Customization

The car stereo offers a user-friendly interface with 59 customizable UI themes. You can personalize your home screen by long-pressing to move frequently used applications for quick access.

User-friendly Interface



Image: Customizable user interface with app icons.

4.7 Split Screen and Mirror Link

The split-screen function allows you to run two applications simultaneously, such as GPS navigation and video playback. Mirror Link enables you to display your smartphone's content directly on the car stereo's large screen.

5. Maintenance

To ensure the longevity and optimal performance of your car stereo, follow these maintenance guidelines:

- **Cleaning:** Use a soft, dry cloth to clean the screen and exterior. Avoid abrasive cleaners or solvents.
- **Software Updates:** Periodically check for and install software updates to ensure the system runs efficiently and has the latest features and security patches.
- **Temperature:** Avoid exposing the unit to extreme temperatures, both hot and cold, for extended periods.
- **Power:** Ensure the vehicle's electrical system is stable to prevent power surges that could damage the unit.

6. Troubleshooting

If you encounter issues with your car stereo, refer to the following common problems and solutions:

- **No Power:**
Check all power connections. Ensure the vehicle's ignition is on. Verify the fuse is not blown.
- **No Sound:**
Check speaker connections. Ensure volume is not muted or set to minimum. Verify audio output settings.
- **Touchscreen Unresponsive:**
Restart the unit by pressing and holding the power button. If the issue persists, a factory reset might be necessary (note: this will erase personal data).
- **GPS Signal Lost:**
Ensure the GPS antenna is properly installed and has a clear view of the sky. Move the vehicle to an open area away from tall buildings or interference.
- **Bluetooth/Wi-Fi Connectivity Issues:**
Ensure Bluetooth/Wi-Fi is enabled on both the car stereo and your device. Try restarting both devices. For Wi-Fi, ensure the network password is correct.
- **CarPlay/Android Auto Not Connecting:**
Ensure your phone's operating system is up to date. Try a different USB cable if using a wired connection. Restart both the phone and the car stereo.

For persistent issues, please contact customer support.

7. Specifications

Feature	Specification
Brand	Hikity
Model Number	Hikity-A7878A3453H1MI2EU26-C304
Connectivity Technology	Bluetooth, USB, Wi-Fi
Controller Type	Android
Special Features	Android Auto, Integrated Bluetooth, GPS Navigation, FM Tuner
Compatible Devices	Smartphone
Connector Type	CVBS, AHD, 3.5 mm jack
Audio Output Mode	Stereo
Surround Sound Channel Configuration	4.0
Video Encoding	MKV, RMVB, AVI, MP4, MDV

Feature	Specification
Item Weight	1.4 Kilograms
Output Power	45 Watts
Number of Channels	4
Internet Applications	Google TV, Browser, Prime Video, iTunes
Control Method	Touch
Audio Output Type	Bluetooth, FM/RDS
Digital Media Format	AVI, MP3 audio, WMA
Country of Origin	China

8. Warranty and Support

Your Hikity car stereo comes with a **12-month warranty**. We offer lifetime online assistance for inquiries and aim to respond within 24 hours.

For product support, technical assistance, or warranty claims, please contact Hikity customer service through the platform where you purchased the product or refer to the contact information provided in your purchase documentation.

Additionally, a 30-day return/replacement policy is available for eligible purchases.