



Manuals.plus /

- › Merax /
- › Merax Loft Bed with Desk and LED Lights User Manual

## Merax Full Grey

# Merax Loft Bed with Desk and LED Lights

MODEL: FULL GREY

[Introduction](#)   [Safety Information](#)   [Components](#)   [Setup & Assembly](#)   [Operating](#)  
[Instructions](#)   [Maintenance](#)   [Troubleshooting](#)   [Specifications](#)   [Warranty & Support](#)

## 1. Introduction

---

Thank you for choosing the Merax Full Size Loft Bed with Desk and LED Lights. This innovative furniture piece is designed to maximize space in smaller rooms, offering a comfortable sleeping area, a functional workstation, and integrated LED lighting for enhanced ambiance. This manual provides essential information for safe assembly, operation, maintenance, and troubleshooting to ensure you get the most out of your new loft bed.



Image 1.1: Merax Full Size Loft Bed with integrated desk and LED lighting.

## 2. Safety Information

---

Please read and understand all safety warnings and instructions before assembling and using this product. Failure to follow these instructions can result in serious injury.

- **Weight Capacity:** Do not exceed the maximum recommended weight for the upper bunk. Refer to the specifications section for details.
- **Guardrails:** Ensure all guardrails are properly installed and secured before use. The upper bunk is equipped with heightened guardrails for safety.
- **Ladder Safety:** Always use the provided ladder for access to and from the upper bunk. Ensure the ladder is securely attached.
- **Ventilation:** Ensure adequate ventilation around the bed, especially if using additional electronic devices on the desk.
- **LED Lights:** Do not stare directly into the LED lights. Keep the LED light controller and power adapter away from

water.

- **Assembly:** Assembly should be performed by at least two adults. Keep small parts away from children during assembly.
- **Regular Checks:** Periodically check all bolts, screws, and connections to ensure they remain tight and secure.
- **No Jumping:** Do not jump on the bed.

### 3. Components List

---

Before beginning assembly, verify that all parts listed below are present and undamaged. If any parts are missing or damaged, do not proceed with assembly and contact customer support.

Component	Description	Quantity
Bed Frame Panels	Headboard, Footboard, Side Rails	Various
Desk Panel	Integrated workstation surface	1
Ladder	Access to upper bunk	1
Guardrails	Safety rails for upper bunk	Set
Wood Slats	Mattress support	14
LED Light Strip	Integrated lighting for desk	1
LED Controller & Power Adapter	For LED light operation	1 Set
Hardware Pack	Bolts, screws, nuts, Allen wrench	1 Set



Image 3.1: Main structural components of the loft bed.

## 4. Setup & Assembly

---

Assembly requires two adults and approximately 2-3 hours. Follow the step-by-step instructions provided in the separate assembly manual included with your product. The general steps are outlined below:

1. **Unpack and Identify Parts:** Lay out all components and hardware. Compare them with the components list and diagrams in your assembly manual.
2. **Assemble Bed Frame:** Attach the side rails to the headboard and footboard using the provided hardware. Ensure all connections are secure.
3. **Install Desk:** Securely attach the desk panel to the designated side of the bed frame using the appropriate brackets and hardware.
4. **Attach Ladder:** Mount the ladder to the bed frame as indicated in the manual, ensuring it is stable and safe for climbing.
5. **Install Guardrails:** Securely attach the guardrails to the upper bunk frame.
6. **Place Slats:** Lay the wood slats across the bed frame and secure them according to the instructions. This provides support for your mattress.
7. **Install LED Lights:** Adhere the LED light strip to the underside of the desk or designated area. Connect the LED strip to the controller and then to the power adapter. Plug the adapter into a power outlet.
8. **Final Check:** Before use, double-check all bolts, screws, and connections to ensure they are tight and the bed is stable.



Image 4.1: Assembled loft bed structure with ladder.



Image 4.2: Detail of the desk and LED light installation area.

## 5. Operating Instructions

---

This Merax Loft Bed offers a versatile living and working space. Here's how to utilize its features:

- **Using the Bed:** Place a full-size mattress directly on the provided wood slats. No box spring is required. Ensure the mattress fits snugly within the bed frame.
- **Using the Desk:** The integrated desk provides a dedicated area for studying, working, or gaming. Its sturdy design supports various equipment.
- **Operating LED Lights:** The LED lights are controlled via an inline controller. This controller allows you to:
  - Turn the lights ON/OFF.
  - Adjust brightness levels.
  - Change light colors and modes (e.g., static color, fade, strobe).

Refer to the specific instructions provided with the LED light kit for detailed operation of the controller.

- **Under-Bed Space:** The area beneath the bed (approximately 28.7 inches clearance) can be used for storage, creating a play area, or accommodating additional furniture.



Image 5.1: Loft bed in use, showcasing the integrated desk and LED lighting.

## 6. Maintenance

---

Proper care and maintenance will extend the life of your Merax Loft Bed.

- **Cleaning:** Wipe down the wood surfaces with a soft, damp cloth. Avoid using harsh chemicals or abrasive cleaners, which can damage the finish.
- **Hardware Check:** Periodically (every 3-6 months) inspect all bolts, screws, and connections. Tighten any loose hardware to maintain stability and safety.
- **LED Lights:** Keep the LED light strip clean and free of dust. If the lights malfunction, check the connections to the controller and power adapter.
- **Avoid Excessive Moisture:** Protect the bed from prolonged exposure to moisture or extreme temperature changes.

## 7. Troubleshooting

---

If you encounter any issues with your Merax Loft Bed, refer to the common problems and solutions below. If the problem persists, contact customer support.

Problem	Possible Cause	Solution
Bed feels wobbly or unstable	Loose hardware	Check and tighten all bolts and screws. Ensure all connections are fully engaged.
LED lights not turning on	Power issue, loose connection, faulty controller/strip	Ensure power adapter is plugged in and outlet is working. Check all connections between strip, controller, and adapter. Test with another power source if possible.
Ladder feels loose	Improper attachment or loose hardware	Re-attach the ladder following assembly instructions. Tighten all ladder mounting hardware.
Squeaking noises	Loose connections or friction between wood parts	Tighten all hardware. Apply a small amount of furniture wax or silicone spray to joints if squeaking persists.

## 8. Specifications

---

Key dimensions and material information for the Merax Full Size Loft Bed:

Feature	Detail
Product Dimensions (L x W x H)	93" x 56.1" x 40.4"
Bed Size	Full
Color	Grey
Material	Solid Pine Wood
Number of Slats	14
Box Spring Required	No
Under-Bed Clearance	Approx. 28.7 inches
Guardrail Height	Approx. 14.2 inches
Special Features	Integrated Desk, LED Lights, Safety Guardrail, Ladder
UPC	196986701267
ASIN	B0DTPXFKTN

## SIZE: INCH

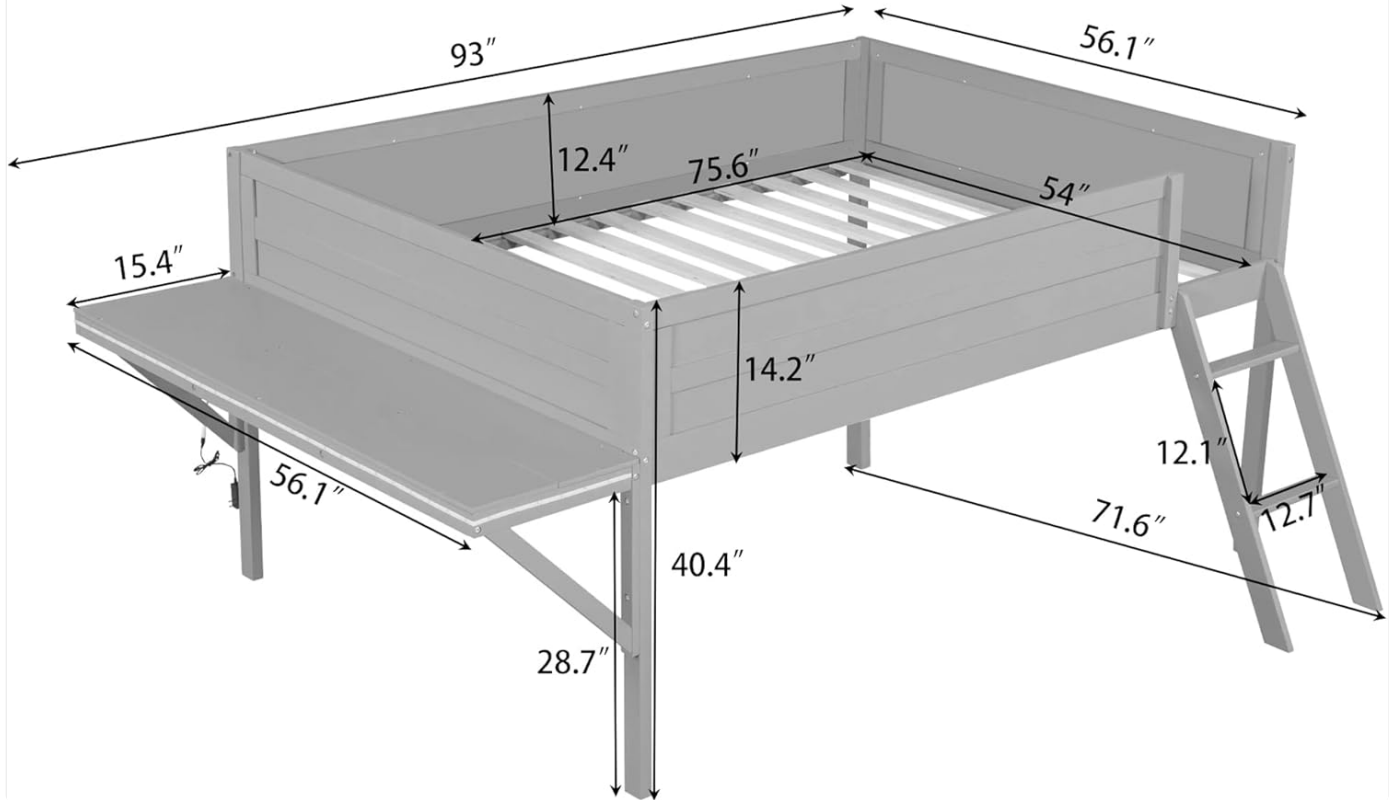


Image 8.1: Dimensional drawing of the Merax Full Size Loft Bed.

## 9. Warranty & Support

Merax products are designed for quality and durability. For specific warranty information regarding your loft bed, please refer to the warranty card included in your packaging or visit the official Merax website. If you require assistance with assembly, missing parts, or troubleshooting that is not covered in this manual, please contact Merax customer support:

- **Customer Service:** Refer to your purchase documentation for contact details or visit the Merax brand store on Amazon.
- **Online Resources:** Check the Merax official website for FAQs, additional manuals, or product registration.

