



**Manuals.plus /**

› **Outsunny /**

› Outsunny Outdoor Wooden Garden Storage Cabinet with Worktop, Double Door, and Shelf (Model 84G-485V00GY)

## **Outsunny 84G-485V00GY**

# **Outsunny Outdoor Wooden Garden Storage Cabinet**

Model: 84G-485V00GY

## **1. INTRODUCTION**

---

Thank you for choosing the Outsunny Outdoor Wooden Garden Storage Cabinet. This versatile unit is designed to provide practical storage and a functional work surface for your outdoor space. Constructed from durable lacquered fir wood with a galvanized steel worktop, it offers resistance against weather elements and wear. Please read this manual carefully before assembly and use to ensure safe operation and optimal performance of your product.



Image 1.1: The Outsunny Garden Storage Cabinet with its double doors open, revealing an internal shelf and various garden tools and supplies stored inside. The cabinet features a grey finish and a metallic worktop.

# MULTIFUNKTION



Eine praktische Werkbank



Ein Gartenlagerschuppen

Image 1.2: This image illustrates the dual functionality of the Outsunny cabinet. On the left, it is shown as a practical workbench with items on its top surface. On the right, it is depicted as a garden storage shed with its doors open, showcasing its internal storage capacity.

## 2. SAFETY INSTRUCTIONS

Please observe the following safety guidelines during assembly and use:

- Keep all packaging materials away from children to prevent choking hazards.
- Ensure all components are present and undamaged before beginning assembly. Do not proceed with assembly if any parts are missing or damaged.
- Assemble the cabinet on a soft, clean surface to prevent scratches.
- Always use appropriate tools and follow the assembly steps precisely as outlined in the separate assembly manual.
- Do not overtighten screws during assembly, as this may damage the wood.
- Place the cabinet on a stable, level surface to prevent tipping.
- Do not overload the shelf or the worktop. Refer to the 'Specifications' section for weight capacities.
- Keep children and pets away from the assembly area.

- This product is intended for outdoor use. Ensure it is placed in a well-ventilated area.

### 3. PACKAGE CONTENTS

---

Verify that all the following components are included in your package:

- 1 x Outsunny Garden Storage Cabinet (unassembled components)
- 1 x Assembly Instruction Manual (separate document)
- Hardware pack (screws, bolts, etc.)

### 4. SETUP AND ASSEMBLY

---

Assembly is required for this product. Please refer to the dedicated assembly instruction manual provided in the package for detailed, step-by-step guidance. The general steps involve:

1. **Unpacking:** Carefully remove all components from the packaging. Lay them out on a clean, soft surface to prevent damage.
2. **Component Identification:** Identify all parts using the parts list in the assembly manual.
3. **Frame Assembly:** Assemble the main frame of the cabinet according to the instructions.
4. **Door Installation:** Attach the double doors using the provided hinges. Ensure they open and close smoothly.
5. **Shelf Installation:** Secure the internal shelf at the designated position.
6. **Worktop Placement:** Install the galvanized steel worktop onto the top of the cabinet.
7. **Final Checks:** Ensure all screws are tightened, and the cabinet is stable.

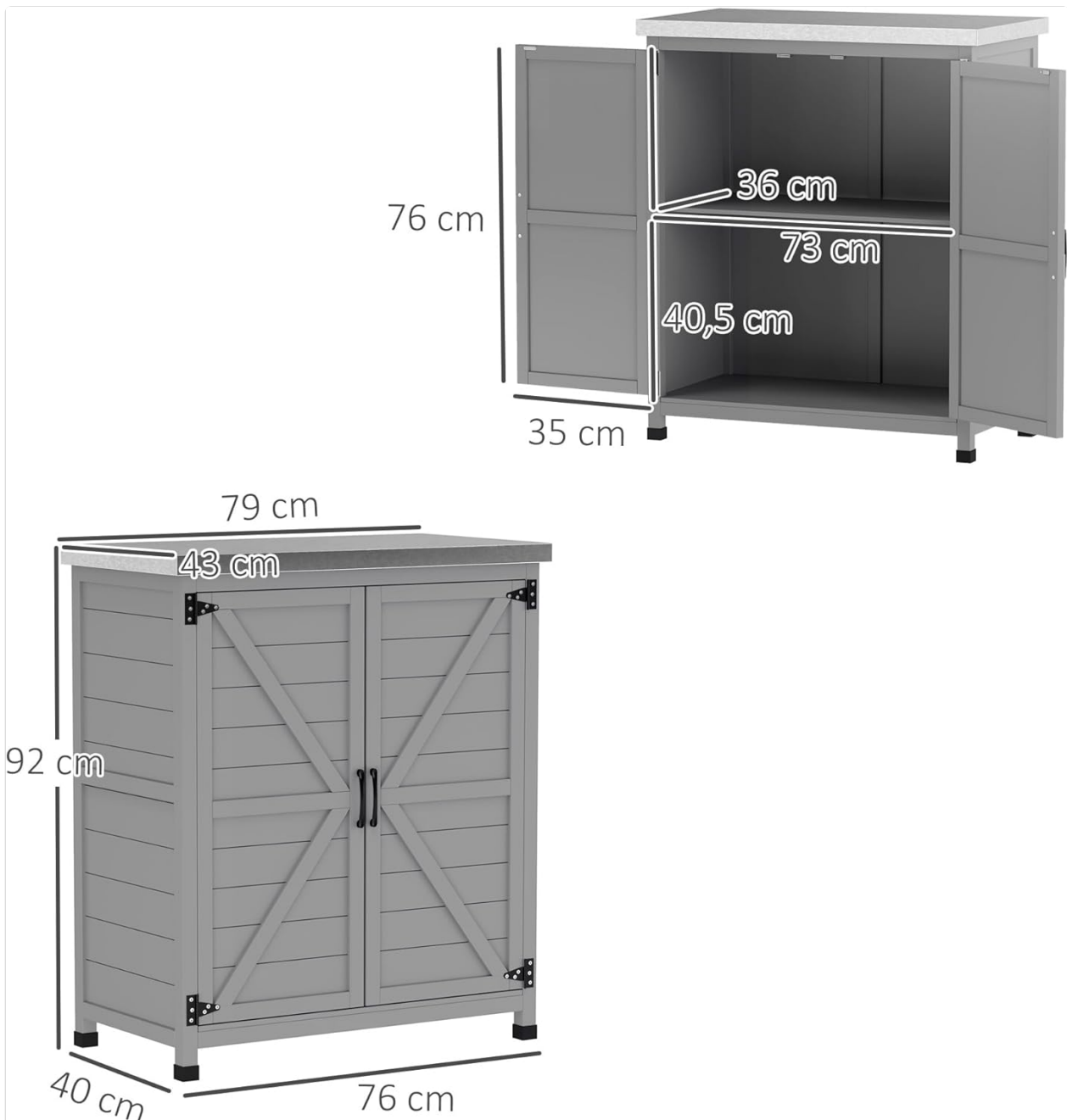


Image 4.1: A diagram illustrating the key dimensions of the Outsunny Garden Storage Cabinet, including its overall height, width, and depth, as well as the internal shelf dimensions and door sizes. This is useful for assembly and planning placement.

## 5. OPERATING INSTRUCTIONS

---

Your Outsunny Garden Storage Cabinet is designed for versatile use in your outdoor environment.

### 5.1 As a Garden Storage Cabinet

- Open the double doors to access the interior.
- Utilize the internal shelf to organize smaller garden tools, plant pots, or other accessories.
- The lower compartment provides space for larger items.
- Close the doors securely to protect contents from weather and dust.





Image 5.1: A detailed view of the interior of the cabinet, highlighting the internal shelf. The shelf provides flexible storage for various tools and plant pots, helping to keep your garden items organized.

## 5.2 As a Workbench

- The galvanized steel worktop provides a stable and durable surface for various tasks.
- Use it for potting plants, minor repairs, or as a convenient surface for garden projects.
- The galvanized surface is resistant to water and abrasion, making it suitable for outdoor work.

# VERZINKTE TISCHPLATTE

Wasserdicht 

Abriebfest 


Korrosionsbeständig 



Image 5.2: A close-up shot of the galvanized steel worktop. This surface is highlighted for its waterproof, abrasion-resistant, and corrosion-resistant properties, making it ideal for outdoor tasks.

## 6. MAINTENANCE

---

Regular maintenance will extend the life and appearance of your garden cabinet.

- **Cleaning:** Wipe down the lacquered wood surfaces with a damp cloth. For the galvanized worktop, use a mild detergent and water, then rinse and dry thoroughly. Avoid abrasive cleaners.
- **Wood Care:** The fir wood is lacquered for protection. Periodically inspect for any signs of wear or damage to the lacquer. Reapply a suitable outdoor wood sealant or paint if necessary to maintain its weather resistance.
- **Corrosion Prevention:** The cabinet features protective feet to prevent corrosion from ground contact. Ensure these feet remain intact and clean.
- **Hardware Check:** Periodically check all screws and bolts to ensure they are tight. Retighten if necessary.
- **Winter Storage:** While weather-resistant, storing the cabinet in a sheltered area during harsh winter conditions can further prolong its lifespan.



Image 6.1: This image focuses on the solid wood structure and the protective feet of the cabinet. The lacquered finish provides durability, and the feet help prevent corrosion from ground moisture.

## 7. TROUBLESHOOTING

---

If you encounter any issues with your Outsunny Garden Storage Cabinet, refer to the following common solutions:

- **Wobbly Cabinet:** Ensure the cabinet is placed on a completely level surface. Check that all assembly screws are securely tightened. Adjust the protective feet if they are uneven.
- **Doors Not Closing Properly:** Verify that the cabinet is level. Check the hinges for proper alignment and tightness. Ensure no items inside are obstructing the doors.
- **Water Accumulation on Worktop:** While the worktop is waterproof, prolonged standing water should be wiped away to prevent staining or potential long-term wear. Ensure the cabinet is not tilted.
- **Wood Discoloration/Damage:** If the lacquered finish shows signs of wear, reapply a suitable outdoor wood treatment as part of regular maintenance.

## 8. SPECIFICATIONS

---

| Feature                        | Detail                     |
|--------------------------------|----------------------------|
| Brand                          | Outsunny                   |
| Model Number                   | 84G-485V00GY               |
| Color                          | Grey                       |
| Materials                      | Fir wood, Galvanized steel |
| Overall Dimensions (L x W x H) | 79 x 43 x 92 cm            |
| Internal Dimensions            | 73 L x 38 P cm             |
| Worktop Dimensions             | 79 x 43 cm                 |
| Single Door Dimensions (W x H) | 35 x 76 cm                 |
| Shelf Dimensions               | 73 x 36 cm                 |
| Height from Bottom to Floor    | 5.5 cm                     |
| Shelf Load Capacity            | 30 kg                      |
| Number of Shelves              | 1                          |
| Finish Type                    | Lacquered                  |
| Frame Material                 | Wood                       |
| Base Type                      | Pedestal                   |
| Assembly Required              | Yes                        |

## 9. WARRANTY AND SUPPORT

---

For warranty information or if you require further assistance with your Outsunny Garden Storage Cabinet, please refer to the warranty documentation included with your purchase or contact Outsunny customer support directly. Contact details can typically be found on the manufacturer's website or on your purchase receipt.