



[Manuals.plus](#) /

> [WEIZE](#) /

> WEIZE CCB-1038A 64-inch Roof Rack Cargo Basket Instruction Manual

WEIZE CCB-1038A

WEIZE CCB-1038A 64-inch Roof Rack Cargo Basket Instruction Manual

Model: CCB-1038A | Brand: WEIZE

INTRODUCTION

This manual provides detailed instructions for the assembly, installation, operation, and maintenance of your WEIZE 64-inch Heavy Duty Roof Rack Cargo Basket. Please read all instructions carefully before use to ensure safe and proper operation.

The WEIZE CCB-1038A is designed to provide additional storage capacity for your vehicle, suitable for SUVs and trucks. It includes a waterproof bag, cargo net, and tie-down straps for securing your items.



Image: The WEIZE 64-inch Roof Rack Cargo Basket, fully assembled and mounted on a vehicle's roof.

SAFETY INFORMATION

- Always ensure the cargo basket is securely attached to your vehicle's crossbars before loading any items.
- Do not exceed the maximum load capacity of 90 kg (200 lbs).
- Distribute weight evenly across the basket to maintain vehicle stability.
- Secure all cargo tightly using the provided cargo net and tie-down straps to prevent shifting during transit.
- Be aware of your vehicle's increased height and width when the cargo basket is installed, especially when entering garages or low-clearance areas.
- Regularly inspect all mounting hardware for tightness and wear.
- Ensure your vehicle's exhaust does not directly vent onto the cargo basket or its contents, as this can cause damage or fire. Adjust cargo placement or consider an exhaust extension if necessary.

PACKAGE CONTENTS

Verify that all components listed below are present in your package:

DIMENSIONS

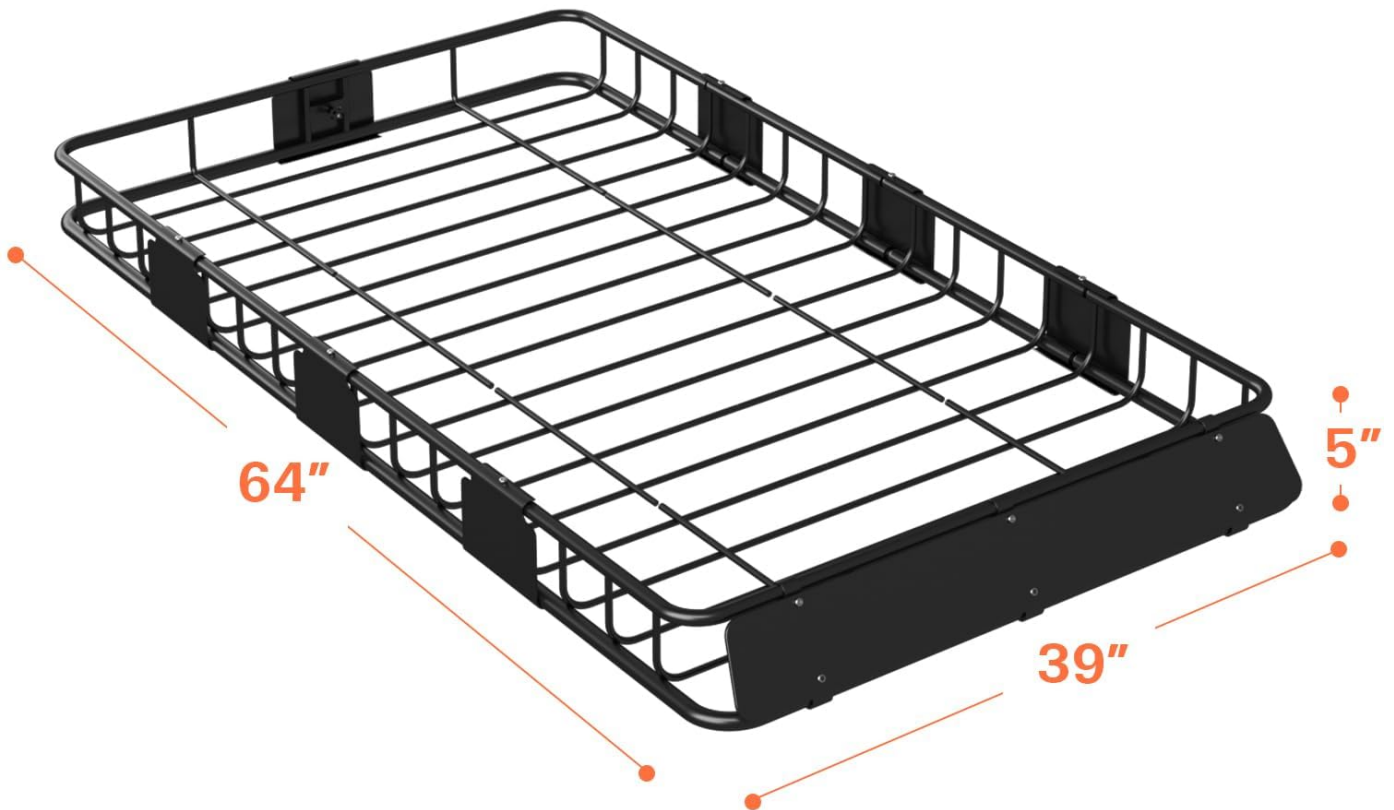


Image: A visual representation of all parts included in the package, labeled for identification.

- Roof Rack Cargo Basket (in four sections)
- Waterproof Bag (44"x34"x18")
- Cargo Net (48"x36")
- Tie Down Straps (1"x12ft)
- Front Fairing
- Side Fairings (2)
- Back Fairing
- Washers
- Bracket Top Plates
- Foam Padding
- U-Bolts (4 sets)
- Wing Nuts
- Nuts
- 16 mm Screws
- 35 mm Screws
- Allen Wrench

SETUP AND INSTALLATION

The cargo basket frame comes in four sections and requires assembly before mounting. You will need two wrenches (not included, except for the provided Allen wrench) for assembly.

Assembly Steps:

1. Unpack all components and verify against the package contents list.
2. Assemble the four sections of the roof rack basket. Connect the sections using the provided screws and nuts.
Important: Do not fully tighten all screws until all sections are loosely connected and aligned. This allows for minor adjustments.
3. Once all sections are connected and aligned, gradually tighten all screws securely.
4. Attach the front, side, and back fairings to the assembled basket using the appropriate screws. The front fairing helps reduce wind resistance.

UNIVERSAL U-BOLTS FITS MOST CROSSBARS

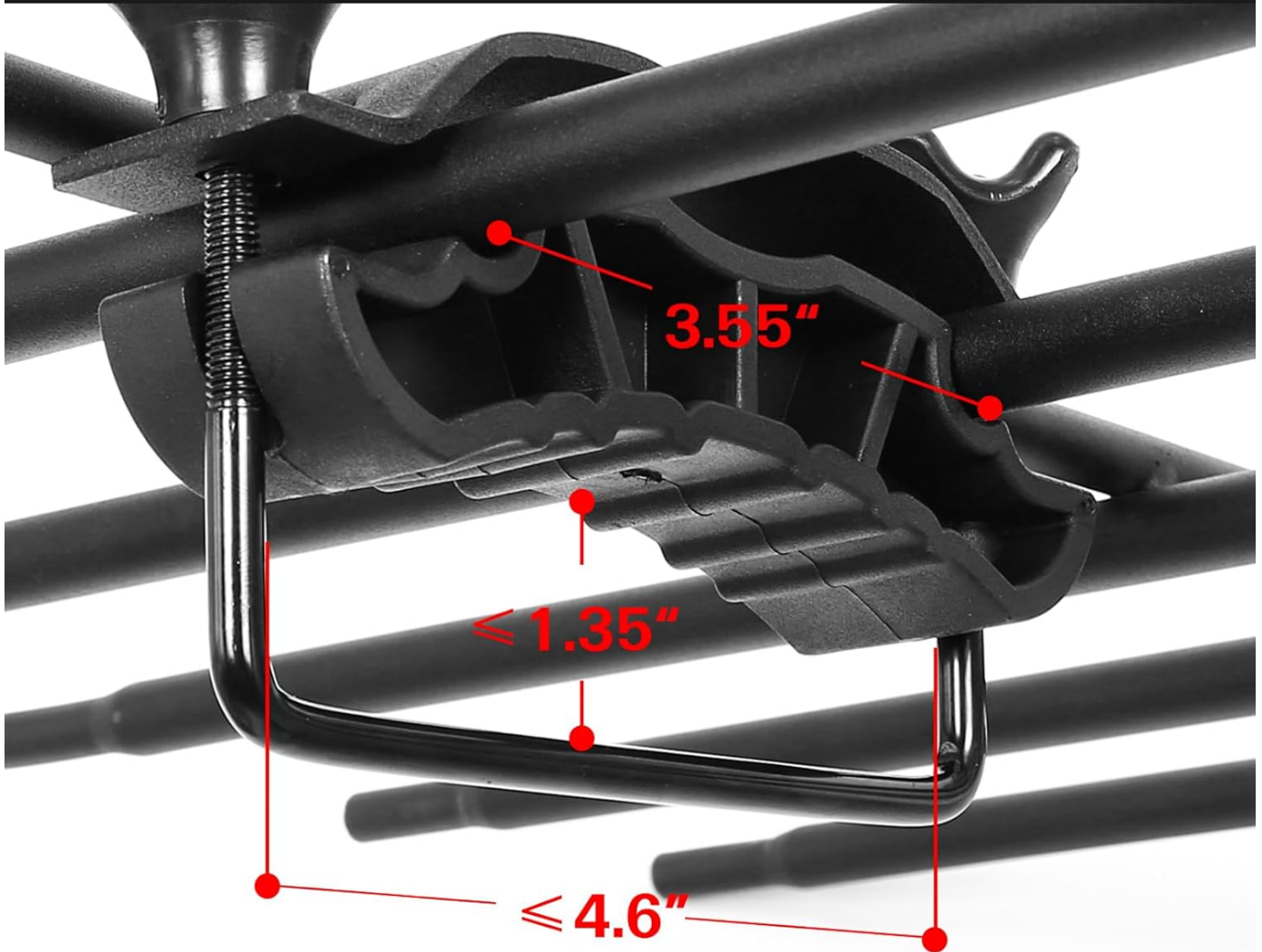


Image: An exploded view illustrating how the different sections of the cargo basket fit together during assembly.

Mounting to Vehicle Crossbars:

The WEIZE cargo basket is designed for universal fit on most vehicle crossbars using U-bolts. Ensure your vehicle's crossbars meet the following dimensions:

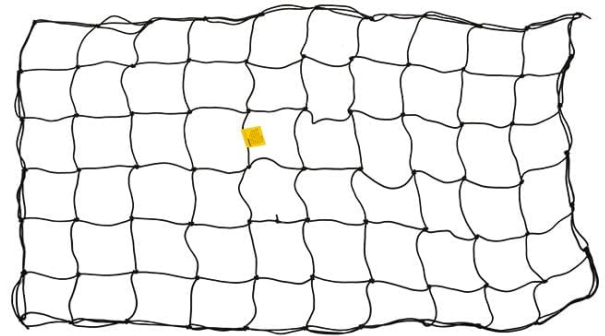
- Maximum crossbar thickness: 3.4 cm (1.35 inches)

- Maximum crossbar width: 11.7 cm (4.6 inches)

PACKAGE LIST



**Waterproof Bag
(44in*34in*18in)**



**Cargo Net
(48in*36in)**



Front Fairing



**Tie Down Straps
(1in*12ft)**



Washer



Bracket Top Plate



Foam Padding



U-Bolts



Wing Nut



Nut



16 mm Screws



35 mm Screws



Allen wrench



Side Fairing



Side Fairing



Back Fairing

Image: Detail of the U-bolt mounting mechanism, highlighting the maximum compatible dimensions for vehicle crossbars.

1. Position the assembled cargo basket centrally on your vehicle's crossbars.
2. Place the foam padding on the crossbars where the U-bolts will attach to protect your vehicle's finish.
3. Insert the U-bolts around the crossbars and through the designated holes on the cargo basket's bottom frame.
4. Place the bracket top plates over the U-bolt ends on the inside of the basket.
5. Secure the U-bolts with washers and wing nuts. Hand-tighten initially.
6. Ensure the basket is centered and level, then fully tighten all wing nuts evenly to secure the basket firmly to the crossbars. Periodically check tightness during use.

OPERATING INSTRUCTIONS

Loading Cargo:

- Before loading, ensure the cargo basket is clean and free of debris.

- Place heavier items at the bottom and center of the basket to maintain a low center of gravity and vehicle stability.
- Do not exceed the maximum load capacity of 90 kg (200 lbs).
- For weather protection, use the included waterproof bag. Place items inside the bag, seal it properly, and then place the bag in the cargo basket.
- Use the cargo net to cover and contain all items within the basket. Hook the net securely to the basket's frame.
- Utilize the tie-down straps to further secure larger or heavier items. Ensure straps are taut and items cannot shift or fall out during travel.



Image: The cargo basket mounted on a vehicle, demonstrating how a waterproof bag and cargo net are used to secure luggage.



Image: A side view of the cargo basket installed on a vehicle, highlighting the wind fairing at the front designed to reduce wind noise and drag.

Driving with Cargo:

- Drive cautiously, especially when cornering or braking, as the added weight and higher center of gravity can affect vehicle handling.
- Periodically check the security of your cargo and the mounting hardware during long trips.
- Be mindful of overhead clearances, such as in parking garages, drive-thrus, and low bridges.

MAINTENANCE

- **Cleaning:** Clean the cargo basket with mild soap and water. Rinse thoroughly and dry to prevent rust. Avoid abrasive cleaners or solvents.
- **Inspection:** Regularly inspect the steel construction for any signs of damage, rust, or wear. Check all welds and connection points.
- **Hardware:** Periodically check all bolts, nuts, and U-bolt connections for tightness. Re-tighten as necessary.

- **Storage:** When not in use, store the cargo basket in a dry place to prolong its lifespan. The powder-coated finish helps resist weather elements and corrosion.
- **Waterproof Bag:** Clean the waterproof bag with a damp cloth. Ensure it is completely dry before folding and storing to prevent mold or mildew.

TROUBLESHOOTING

Issue: Basket sections do not align perfectly during assembly.

Solution: Ensure all screws are only hand-tightened initially. This allows for flexibility to align the sections. Once aligned, gradually tighten all screws. If necessary, loosen a few bolts on the main bar to adjust crossbar alignment before re-tightening.

Issue: Cargo basket rattles or shifts during driving.

Solution: Re-check all U-bolt connections and ensure they are fully tightened. Verify that the foam padding is correctly positioned between the U-bolts and crossbars. Ensure cargo is tightly secured within the basket and cannot shift.

Issue: Items in the basket are exposed to vehicle exhaust heat.

Solution: Inspect your vehicle's exhaust path. If the exhaust exits directly towards the cargo, consider repositioning cargo to avoid flammable items in that area. For long-term solutions, an exhaust deflector or extension may be necessary, or ensure the hitch setup lifts the carrier above the exhaust path.

SPECIFICATIONS

Product Specifications

Model Number	CCB-1038A
Brand	WEIZE
Dimensions (L x W x H)	162.6 cm x 99.1 cm x 12.7 cm (64 inches x 39 inches x 5 inches)
Weight	46 lbs (approximately 20.9 kg)
Load Capacity	90 kg (200 lbs)
Material	Alloy Steel with Black Powder Coating
Mounting Type	U-Bolt (Universal fit for crossbars up to 3.4 cm thick and 11.7 cm wide)
Vehicle Service Type	Car, Truck, SUV (Universal Fit)
Included Components	Cargo Net, Cargo Rack, Tie-Down Straps, Waterproof Bag



Image: A detailed view of the cargo basket with its length (64 inches), width (39 inches), and height (5 inches) clearly marked.

WARRANTY AND SUPPORT

WEIZE is committed to providing quality products and customer service. If you encounter any issues with your WEIZE Roof Rack Cargo Basket, please contact our support team directly.

A satisfactory solution will be provided for any problems you may experience. Our support team is available to assist you with product inquiries, troubleshooting, and warranty claims.

For support, please visit the manufacturer's website or contact the seller directly through your purchase platform.

