

Manuals.plus /

› weideke /

› weideke AEG33121503 Washing Machine Heating Element User Manual

weideke AEG33121503

weideke AEG33121503 Washing Machine Heating Element

User Manual

1. PRODUCT OVERVIEW

The weideke AEG33121503 is a replacement heating element designed for various LG, Kenmore, and Sears washing machines. This component is crucial for heating the water during wash cycles, ensuring effective cleaning performance. It comes equipped with a thermistor for temperature sensing.



Image: The AEG33121503 heating element, featuring its U-shaped design and electrical connection points.

Included Components: 1 x Washing Machine Heating Element with Thermistor.

2. COMPATIBILITY

This heating element (AEG33121503) is designed for high compatibility with original equipment replacement parts for LG, Kenmore, and Sears washing machines. Please verify your washing machine's model number against the list below to ensure proper fit and function.

Washer Water Heating Element with ntc Thermistor

for LG washing machines,
2000 Watt,
for AEG33121503



For LG models listed by

F1222TD.ABWQEUK, F1222TD5.ALSQEUK, F1247TD.ABWQEUK, F1247TD5.ALSQEUK, F1248QDP1.ABWQEUK, F1256QD.ABWQEUK, F1256QD.ABWQEUK, F1256QD.ABWQEUK, F1256QD5.ALSQEUK, F1256QD5.ALSQEUK, F1273TDP.ABWQEUK, F1280TD6.ABPQEUK, F1281TD.ABWQEUK, F1281TD.ABWQEUK, F1281TD5.ALSQEUK, F1281TD5.ALSQEUK, F1289TD.ABWQEUK, F1289TD5.ALSQEUK, F1291QD.ABWQEUK, F1296TD.ABWQEUK, F1296TD.ABWQEUK, F1296TDA.ABWQEUK, F1296TDA5.ALSQEUK, F1296TDA7.ASSQEUK, F12A8TDA.ABWQEUK, F12A8TDA.ABWQEUK, F12A8TDA5.ALSQEUK, F12A8TDA5.ALSQEUK, F12A8TDA6.ABPQEUK, F12B8QDA.ABWQEUK, F12B8QDA5.ALSQEUK, F12B9QDA.ABWQEUK, F12B9QDA5.ALSQEUK, F12U1TCN4.ALSQEUK, F1402FDS.ABWQEUK, F1402FDS5.ALSQEUK

,

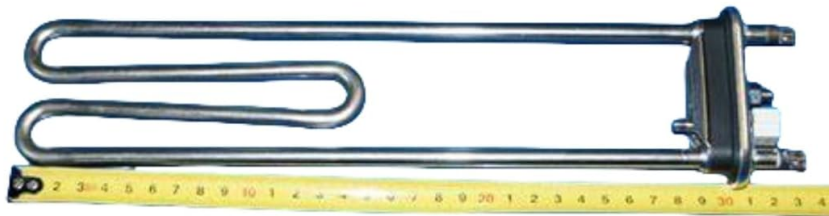


Image: AEG33121503 heating element shown with a ruler for scale and a partial list of compatible models.

Compatible Models:

- F1222TD.ABWQEUK, F1222TD5.ALSQEUK, F1247TD.ABWQEUK, F1247TD5.ALSQEUK, F1248QDP1.ABWQEUK
- F1256QD.ABWQEUK, F1256QD5.ALSQEUK, F1273TDP.ABWQEUK, F1280TD6.ABPQEUK
- F1281TD.ABWQEUK, F1281TD5.ALSQEUK, F1289TD.ABWQEUK, F1289TD5.ALSQEUK
- F1291QD.ABWQEUK, F1296TD.ABWQEUK, F1296TDA.ABWQEUK, F1296TDA5.ALSQEUK, F1296TDA7.ASSQEUK
- F12A8TDA.ABWQEUK, F12A8TDA5.ALSQEUK, F12A8TDA6.ABPQEUK, F12B8QDA.ABWQEUK
- F12B8QDA5.ALSQEUK, F12B9QDA.ABWQEUK, F12B9QDA5.ALSQEUK, F12U1TCN4.ALSQEUK
- F1402FDS.ABWQEUK, F1402FDS5.ALSQEUK, F1402FDS6.ABPQEUK, F1403FD.ABWQEUK
- F1403RD.ABWQEUK, F1403RD6.ABPQEUK, F1403TDS.ABWQEUK, F1403YD.ABWQEUK
- F1403YD5.ALSQEUK, F1403YD6.ABPQEUK, F1406TDSP.ATWQEUK, F1406TDSP6.ABPQEUK
- F1409TDS.ABWQEUK, F1422TD.ABWQEUK, F1422TD5.ALSQEUK, F1447TD.ABWQEUK
- F1447TD5.ALSQEUK, F1448QDP.ABWQEUK, F1456QD.ABWQEUK, F1456QD5.ALSQEUK
- F1479FDS.ABWQEUK, F1479FDS5.ALSQEUK, F1479FDS6.ABPQEUK, F1480FD.ABWQEUK

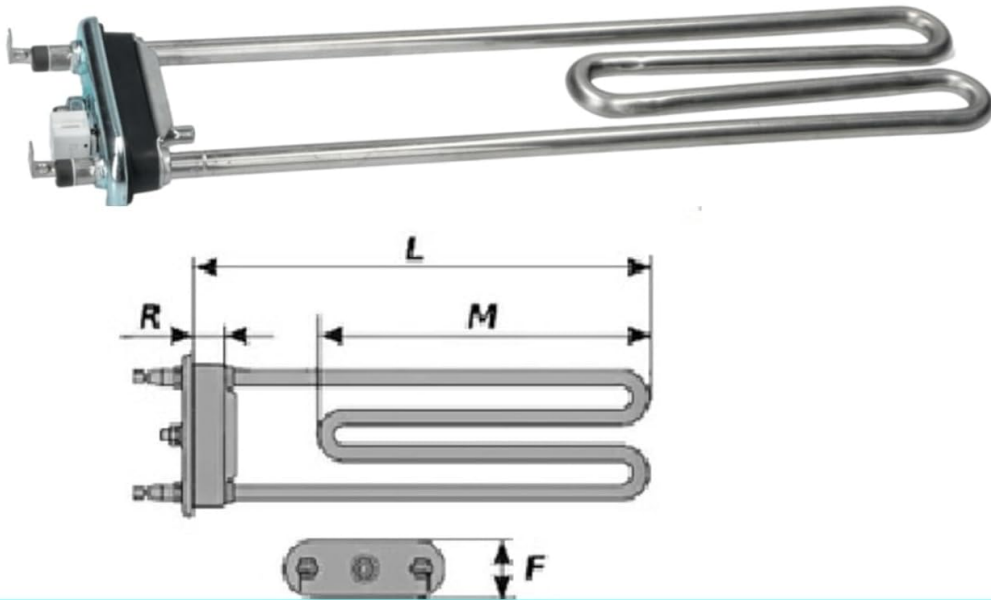
- F1480FD6.ABPQEUK, F1480QDS.ABWQEUK, F1480RD.ABWQEUK, F1480RD5.ALSQEUK
- F1480RD6.ABPQEUK, F1480TD6.ABPQEUK, F1480TDS.ABWQEUK, F1480TDS5.ALSQEUK
- F1480YD.ABWQEUK, F1480YD5.ALSQEUK, F1480YD6.ABPQEUK, F1481TD.ABWQEUK
- F1481TD5.ALSQEUK, F1489AD.ABWQGBP, F1489TD.ABWQEUK, F1496AD.ABWQEUK
- F1496AD5.ALSQEUK, F1496ADH.ABWQEUK, F1496TD.ABWQEUK, F1496TDA.ABWQEUK
- F14A7FDS.ABWQEUK, F14A7FDS5.ALSQEUK, F14A7FDS6.ABPQEUK, F14A7FDSA.ABWQEUK
- F14A7FDSA5.ALSQEUK, F14A7FDSA6.ABPQEUK, F14A8FD.ABWQEUK, F14A8FD6.ABPQEUK
- F14A8FDA.ABWQEUK, F14A8FDA6.ABPQEUK, F14A8QDSA.ABWQEUK, F14A8RD.ABWQEUK
- F14A8RD6.ABPQEUK, F14A8TDA.ABWQEUK, F14A8TDA5.ALSQEUK, F14A8TDA6.ABPQEUK
- F14A8TDS25.ALSQHOT, F14A8TDSA.ABWQEUK, F14A8TDSA5.ALSQEUK, F14A8YD.ABWQEUK
- F14A8YD5.ALSQEUK, F14A8YD6.ABPQEUK, F14B8QDA.ABWQEUK, F14B8QDA5.ALSQEUK
- F14B9QDA.ABWQEUK, F14U1FCN8.ABPQEUK, F14U1JBS2.ABWQEUK, F14U1TBS2.ABWQEUK
- F14U1TCN6.ASSQEUK, F14U2TDN0.ABWQEUK, F1622GD.ABWQEUK, F1622GD5.ALSQEUK
- F1681TD.ABWQEUK, F1681TD5.ALSQEUK, LG-CLOISSONN.E, LG-IMPERIAL.FLOWER
- LG-RIBAILAG.UA, LG-SEVILLA.GREEN, WD-12650TP.AOWQEUK, WD-P1410RD6.ABPPEIN
- WM-380NW.ABWPDEL, WM12331FDK.*, WM12336FDK.*, WM14331FDK.*, WM14336FDK.*
- WM1437BFD.*, WM1437LFD.*, WM1437PFD.*, WM1437RFD.*, WM1437SFD.*, WM1437WFD.*
- WM14391TDK.*, WM14396TDK.*, WM14440FDS.*, WM14440TDS.*, WM14445FDS.*, WM14445TDS.*
- WM16331FDK.*, WM16336FDK.*, WD10131F, WD11120FB, WD1271FB, WD80180T
- WD10150FB, WD12120FB, WD13120FB, WM10130F, WD10170TD, WD12230FB
- WD65130F, WM10240F, WD10180T, WD12235FB, WD80130F

3. SPECIFICATIONS

Detailed technical specifications for the AEG33121503 heating element are provided below. These measurements and characteristics are essential for ensuring proper fit and electrical compatibility.

AEG33121503 For LG Washing Machines

Washer Temperature Sensor with Temperature Sensor



L=305mm M=153mm F=28mm R=9mm

Image: Dimensional diagram of the AEG33121503 heating element, showing key measurements.

Feature	Detail
Model Number	AEG33121503
Brand	weideke
Power Capacity	2000W
Product Dimensions	13.4"D x 3.15"W x 1.2"H (340mm x 80mm x 30mm)
Element Length	326mm (Immersion depth: 300mm)
Element Breadth	65mm
Element Height	8mm
Flange Length	80mm
Flange Breadth	27mm
Sensor Length	15mm
Distance Between Fittings	54mm
Installation Type	Screw Mount
Material Type	Metal
Color	Silver
Special Features	Durable Construction, Heat Resistant
Thermostat	Yes
Thermal Fuse	None
Item Weight	10.7 ounces

AEG33121503 Product Images

Same shape, same size, can be used universally



230-2000W Resistor with
CTN



Image: Views of the heating element, showing the 230-2000W resistor and CTN connection.

4. INSTALLATION GUIDELINES

Replacing a washing machine heating element requires technical knowledge and adherence to safety procedures. If you are not confident in performing this repair, it is recommended to consult a qualified technician.

Safety Precautions:

- **Disconnect Power:** Always unplug the washing machine from the power outlet before beginning any repair work.
- **Turn Off Water Supply:** Close the hot and cold water supply valves to the washing machine.
- **Drain Water:** Ensure all water is drained from the washing machine tub and hoses.
- **Wear Protective Gear:** Use gloves and eye protection to prevent injury.

General Installation Steps (May Vary by Model):

1. Access the heating element compartment, typically located at the rear or bottom of the washing machine. This may involve removing the back panel or tilting the machine.
2. Locate the existing heating element. Note the wiring connections and the position of the thermistor.
3. Carefully disconnect the electrical wires and the thermistor connector from the old element.
4. Unscrew the retaining nuts or bolts that secure the heating element flange.
5. Gently pull out the old heating element. Be prepared for any residual water.

6. Insert the new AEG33121503 heating element into the opening, ensuring the rubber gasket is properly seated to prevent leaks.
7. Secure the new element by tightening the retaining nuts or bolts. Do not overtighten.
8. Reconnect the electrical wires and the thermistor connector to the new element. Ensure connections are secure.
9. Reassemble any panels or covers removed during the process.
10. Restore water supply and power to the washing machine. Perform a test cycle (e.g., a hot wash) to check for leaks and proper heating function.

Manual measurement

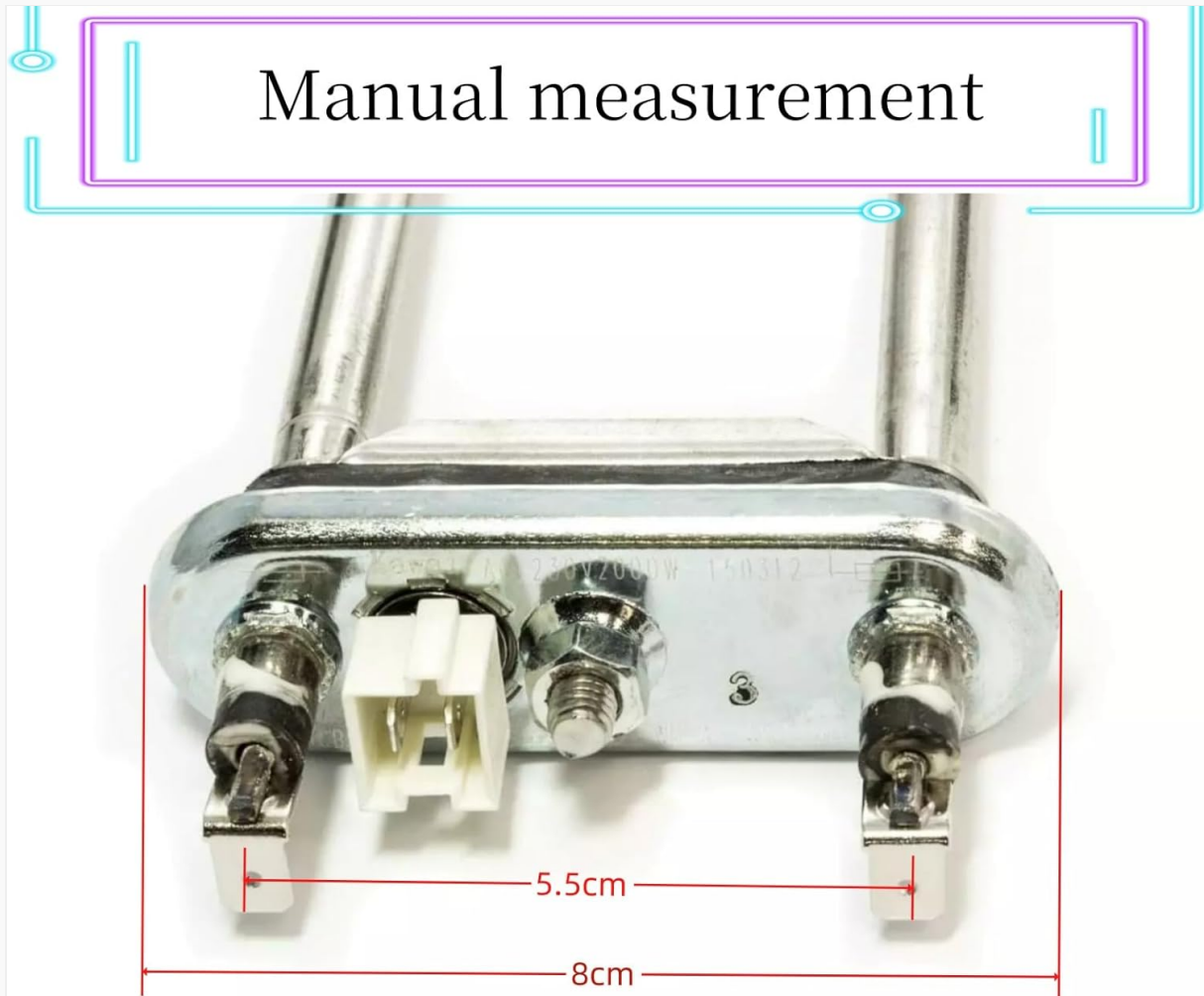


Image: Close-up of the heating element's connection flange, indicating electrical and thermistor points.

5. FUNCTIONALITY

The heating element is an integral part of your washing machine's water heating system. When a wash cycle requiring hot water is selected, the heating element activates to raise the water temperature to the desired level. The integrated thermistor monitors the water temperature, providing feedback to the washing machine's control board to maintain precise temperature control throughout the cycle.

6. TROUBLESHOOTING

A common indicator of a faulty heating element or temperature sensor in a washing machine is a specific fault code displayed on the control panel.

Fault Code: TE

The washing machine heating element fault code is typically **TE**. When the heating element or temperature sensor (thermistor) fails, the control panel may display the TE code. This usually indicates that the heating

tube or the associated temperature sensor has been damaged or is not functioning correctly.

Note: Different brands and models of washing machines may have varying error codes. Always consult your washing machine's specific user manual for a complete list of fault codes and their meanings.

Common Causes of Heating Element Failure:

- Short circuit within the element.
- Aging or degradation of the heating tube material.
- Burnout due to prolonged use or electrical issues.
- Faulty thermistor providing incorrect temperature readings.

If you encounter the TE fault code or suspect heating element failure, inspection and potential replacement of the element are necessary to restore normal operation.

7. MAINTENANCE

While heating elements generally require minimal maintenance, certain practices can help prolong their lifespan and ensure efficient operation:

- **Regular Cleaning:** Periodically run a washing machine cleaning cycle with a descaling agent to prevent mineral buildup (limescale) on the heating element, especially in hard water areas. Limescale can reduce heating efficiency and lead to premature failure.
- **Avoid Overloading:** Overloading the washing machine can strain components, including the heating element, by requiring it to work harder to heat a larger volume of water or by impeding water circulation.
- **Check for Leaks:** Regularly inspect the area around the washing machine for any signs of water leaks, which could indicate issues with the heating element's seal or other components.

8. WARRANTY AND SUPPORT

For information regarding warranty coverage, returns, or technical support for your weideke AEG33121503 Washing Machine Heating Element, please refer to the retailer's policy or contact the manufacturer directly. Keep your purchase receipt as proof of purchase.

For additional assistance or to purchase protection plans, you may visit the product page on [Amazon.com](https://www.amazon.com).