



Manuals.plus /

› **Belffin /**

› Belffin Large Modular Sectional Sleeper Sofa with Storage 6 Seats Sectional Sofa Bed Couch Chenille Cloud Couch for Living Room Dark Grey 6 seat Sleeper Dark Grey

Belffin 6 seat Sleeper Dark Grey

Belffin Large Modular Sectional Sleeper Sofa with Storage

Model: 6 seat Sleeper Dark Grey

PRODUCT OVERVIEW

The Belffin Large Modular Sectional Sleeper Sofa is designed for ultimate customization and comfort. This versatile 6-seat sectional features a free-combination modular design, allowing you to reconfigure it to suit various living spaces and needs, including an L-shaped sofa, U-shaped couch, or even a sofa bed. Each module includes built-in storage, providing a practical solution for organization. The sofa is upholstered in a soft, skin-friendly chenille fabric, and all covers are removable and washable for easy maintenance. Assembly is designed to be simple and tool-free.



Image: The Belffin 6-seat modular sectional sofa in dark grey, showcasing its versatile L-shaped configuration with an integrated ottoman section, ideal for various living room layouts.

SAFETY INFORMATION

Please read and adhere to the following safety guidelines to ensure safe use of your Belffin Modular Sectional Sofa:

- Keep the sofa away from open flames or high heat sources to prevent fire hazards.
- Supervise children and pets around the sofa, especially when accessing storage compartments, to avoid risks of entrapment or injury.
- Ensure all modules are securely connected during use to prevent accidental separation.

SETUP AND ASSEMBLY

Your Belffin Modular Sectional Sofa is designed for easy, tool-free assembly. The product will arrive in multiple packages, which may be delivered on different days. Please ensure all packages have arrived before beginning assembly.

1. **Unpack Components:** Carefully remove all components from their packaging. Verify that all modules and cushions are present.
2. **Position Modules:** Arrange the individual sofa modules in your desired configuration. The modular design allows for various layouts, such as L-shape, U-shape, or individual seating.
3. **Connect Modules:** Each module is equipped with built-in connectors. Align the connectors on adjacent modules and push them firmly together until they lock into place. This ensures stability and prevents modules from sliding apart.

4. **Place Cushions:** Position the seat cushions and back cushions onto their respective modules. The back cushions are designed to be soft and supportive.

Product Dimensions:

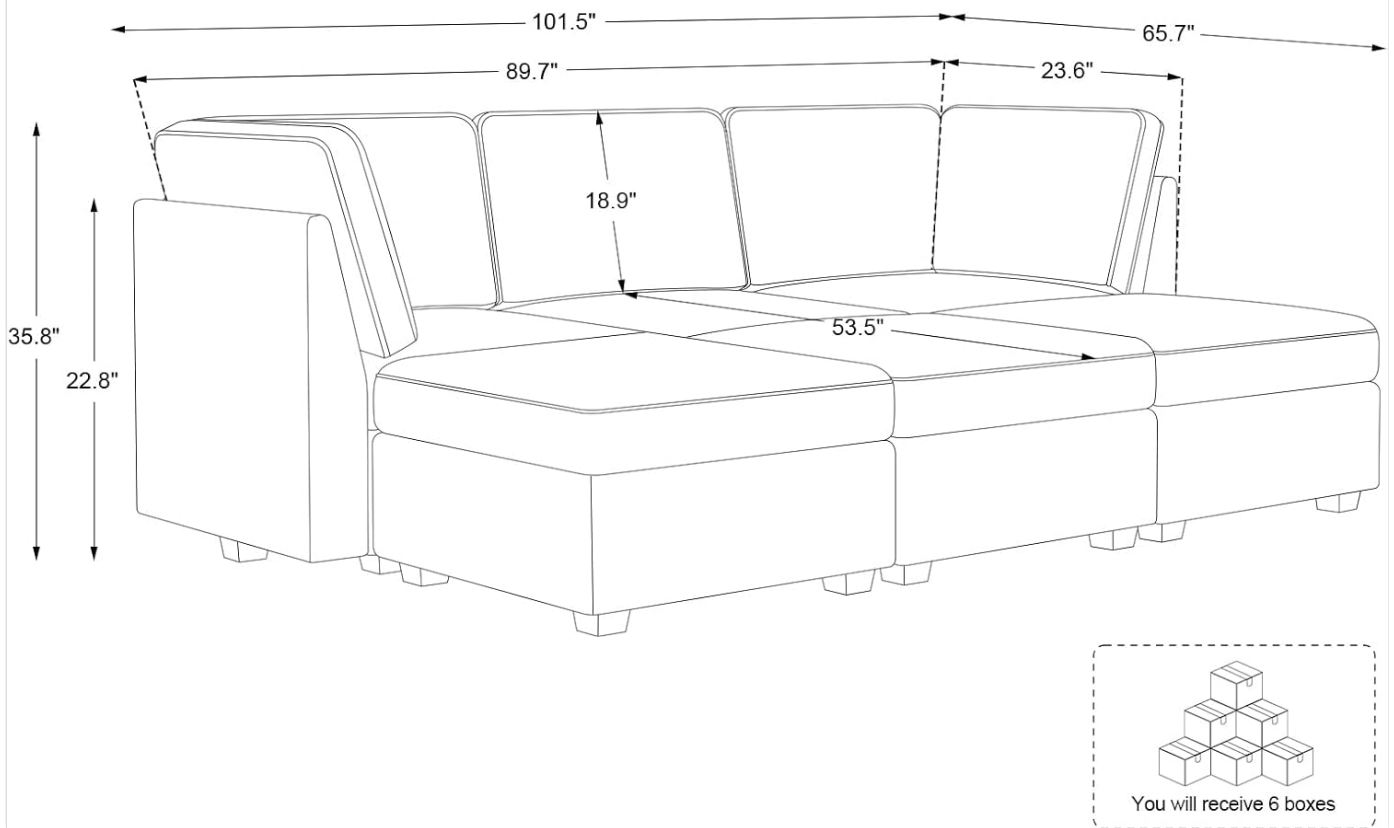


Image: A detailed diagram illustrating the overall dimensions of the Belfin modular sectional sofa, including height, depth, and width, to assist with space planning.



Image: An underside view of a Belffin sofa module, highlighting the built-in connection mechanism that allows for secure and tool-free assembly of the modular pieces.

OPERATING INSTRUCTIONS

Modular Configuration

The Belffin sectional sofa offers exceptional flexibility. You can easily rearrange the modules to create different seating arrangements to suit your needs or room layout. Simply unlock the connectors between modules, reposition them, and then re-engage the connectors to secure the new configuration.



Image: A visual representation of the Belfin modular sofa demonstrating various possible configurations, such as a large U-shaped arrangement and a more compact L-shaped setup, highlighting its adaptability.

Storage Access

Each module of the sofa includes a built-in storage compartment. To access the storage, simply lift the seat cushion of the desired module. The mechanism is designed for smooth and easy opening and closing.



Image: The Belfin modular sofa with multiple seat cushions lifted, revealing the spacious storage compartments integrated into each module, perfect for decluttering living spaces.

Sleeper Functionality

To utilize the sleeper functionality, arrange the modules to form a flat, continuous surface. This typically involves aligning

ottoman modules with seat modules to create an extended sleeping area. The deep cushions provide a comfortable surface for lounging or sleeping.

MAINTENANCE AND CARE

Fabric Care (Chenille)

The chenille fabric is soft and designed for easy maintenance. All sofa covers are removable and washable.

- **Regular Cleaning:** Vacuum the sofa regularly using an upholstery attachment to remove dust and loose debris.
- **Spot Cleaning:** For spills, blot immediately with a clean, dry cloth. Avoid rubbing, as this can spread the stain. For stubborn stains, use a mild fabric cleaner suitable for chenille, testing on an inconspicuous area first.
- **Washing Covers:** Remove the cushion covers by unzipping them. Follow the care label instructions for washing. Typically, machine wash cold on a gentle cycle with mild detergent and air dry or tumble dry on low heat. Do not bleach.



Image: A close-up view of a Belfin sofa cushion, revealing the zipper that allows for easy removal of the cover for cleaning and

maintenance.



Image: A magnified view of the dark grey chenille fabric, showcasing its soft texture and weave, which contributes to the sofa's comfort and durability.

Cushion Care

Periodically fluff and rotate cushions to maintain their shape and extend their lifespan. This helps distribute wear evenly.

TROUBLESHOOTING

Problem	Possible Cause	Solution
Modules sliding apart	Connectors not fully engaged or loose.	Ensure all built-in connectors are firmly pushed together and locked. Check for any obstructions preventing full engagement.
Cushions losing shape	Uneven wear or lack of fluffing.	Regularly fluff and rotate seat and back cushions to maintain their loft and shape.
Fabric stains	Spills or dirt accumulation.	Refer to the "Maintenance and Care" section for spot cleaning and washing removable covers.
Difficulty opening storage	Mechanism obstruction or misalignment.	Ensure no items are blocking the lifting mechanism. Gently check for proper alignment of the lid. Do not force it open.

SPECIFICATIONS

Feature	Detail
Brand	Belffin
Model	6 seat Sleeper Dark Grey
Product Dimensions (D x W x H)	65.7"D x 101.5"W x 35.8"H
Seating Capacity	6.00
Color	Dark Grey
Material Type	Chenille Fabric, Foam (Memory Foam Cushions)
Special Features	Convertible, Removable Cover, Space Saving, Storage, Modular Design
Assembly Required	Yes (Tool-Free)
Component Connector Assembly	Built-In
Item Firmness Description	Soft

WARRANTY AND SUPPORT

Warranty Information

The Belffin Modular Sectional Sofa comes with a **Lifetime Warranty**. For specific details regarding coverage and terms, please refer to the warranty documentation included with your purchase or contact Belffin customer service.

Customer Support

If you have any questions, require assistance with assembly, or need to report an issue, please contact Belffin customer support. You can visit the official Belffin store on Amazon for more information and contact options:

[Visit the Belffin Store on Amazon](#)