



[Manuals.plus](#) /

› [Alinwirsy](#) /

› Alinwirsy 5304505004 Washer Door Seal Instruction Manual for Electrolux Front-Load Washers

Alinwirsy 5304505004

Alinwirsy 5304505004 Washer Door Seal Instruction Manual

For Electrolux Front-Load Washer Models

1. PRODUCT OVERVIEW

The Alinwirsy 5304505004 washer door seal is a critical component designed for Electrolux front-load washing machines. It creates a watertight seal between the washer's outer tub and the door, preventing water leaks during wash cycles and contributing to the appliance's overall efficiency and cleanliness. This replacement part is manufactured from durable, high-quality rubber material to ensure long-lasting performance and reliability.

OEM 5304505004 WASHER DOOR BOOT



Back



Front

**For Electrolux
washing machines**

Replacement Part Number

5304505004	AP6973284
4931397	EAP12731388
5304505239	PS12731388
5304516744	PD00055316



If you are not sure of the model, please contact us to solve your problem.

Image 1.1: Front and back view of the 5304505004 washer door seal, highlighting its design.

2. COMPATIBILITY

This 5304505004 washer door seal is compatible with a wide range of Electrolux front-load washer models. Please verify your washer's model number before purchasing to ensure proper fit.

2.1. Compatible Electrolux Washer Models:

- EFLS627UTT0, EFLS617STT0, EFLS527UIW0, EFLS517SIW0, EFLS627UIW0
- EFLS627UTT1, EFLS527UTT1, EFLS517STT0, EFLS527UIW1, EFLS527UIW2
- EFLS527UTT0, EFLS527UTT2, EFLS617SIW0, EFLS627UIW1, EFLS627UIW2
- EFLS627UTT2, EFLW317TIW, EFLW317TIW2, ELFW7337AW, EFLS628WTT00
- ELFW7537AT0, ELFW7537AT1, ELFW7537AW0, ELFW7537AW1
- ELFW7637AT0, ELFW7637AT1, ELFW7637AW0, ELFW7637AW1
- ELFW7637BT0, ELFW7637BT1, ELFW7637BW0, ELFW7637BW1
- ELTE7600AT0, ELTE760CAT0, ELTG7600AT0, ELTG7600AW0

2.2. Replaces Part Numbers:

- 530451009, 5304516744, 4931397
- 5304505239, AP6973284, EAP12731388
- PS12731388, PD00055316

COMPATIBLE MACHINE MODELS

FOR ELECTROLUX



EFLS517SIW0	EFLS517STT0	EFLW317T1WI
EFLS527UIW0	EFLS527UIW1	EFLS527UIW2
EFLS527UTT0	EFLS527UTT1	EFLS527UTT2
EFLS617SIW0	EFLS617STT0	
EFLS627UIW0	EFLS627UIW1	EFLS627UIW2
EFLS627UTT0	EFLS627UTT1	EFLS627UTT2
EFLS628WTT00		
ELFW7537AT0	ELFW7537AT1	ELFW7537AW0
ELFW7537AW1		
ELFW7637AT0	ELFW7637AT1	ELFW7637AT2
ELFW7637AW0	ELFW7637AW1	ELFW7637BT0
ELFW7637BT1	ELFW7637BW0	ELFW7637BW1
ELTE7600AT0	ELTE7600AW0	ELTE760CAT0
ELTE760CAW0	ELTG7600AT0	ELTG7600AW0

Image 2.1: Visual guide to compatible Electrolux washer models.

3. PRODUCT FEATURES AND SPECIFICATIONS

The 5304505004 door seal is engineered for optimal performance and durability in Electrolux washing machines.

3.1. Key Features:

- **Durable Material:** Constructed from high-quality, flexible, and corrosion-resistant rubber for extended lifespan.
- **Effective Sealing:** Provides a precise and snug fit to prevent water leaks and minimize noise and vibration during operation.
- **Clean Environment:** Designed to reduce lint and dirt buildup on its flat surface, promoting a cleaner washing environment.
- **Easy Installation:** Features precisely positioned holes for straightforward mounting.

3.2. Specifications:

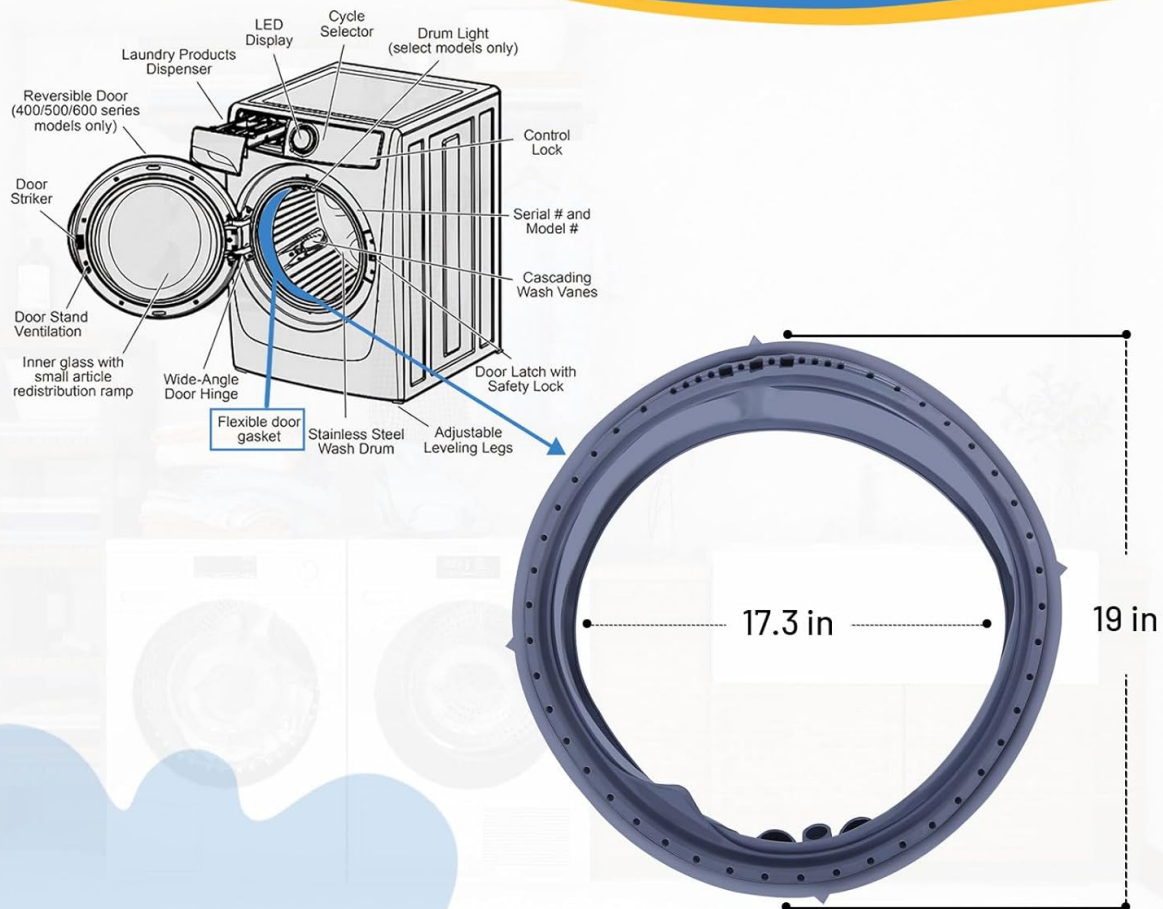
- **Part Number:** 5304505004
- **Material:** High-quality Rubber
- **Product Dimensions:** Approximately 12.8 x 6.88 x 5.8 inches
- **Item Weight:** Approximately 3.89 pounds

PRODUCT DETAILS

	
Ensure a clean washing environment	Seals the door to prevent water leaks during the wash cycle
	
Made from durable rubber material for long-lasting performance	Precisely positioned holes for easy installation

Image 3.1: Close-up views illustrating the product's features and construction.

DIMENSIONS



5304505004 WASHING MACHINEDOOR BELLOWS BOOT GASKET

Image 3.2: Dimensional diagram of the 5304505004 washer door seal.

Your browser does not support the video tag.

Video 3.1: This video demonstrates the flexibility and material quality of the washer door boot gasket, providing a closer look at its design and construction.

4. INSTALLATION INSTRUCTIONS

Replacing the washer door seal requires careful attention. If you are unsure about any step, it is recommended to consult a professional technician.

4.1. Tools Required (Not Included):

- Screwdriver (Phillips and/or Flathead)
- Pliers (for spring clamps)
- Gloves (optional, for protection)

4.2. Step-by-Step Installation:

1. **Prepare the Washer:** Turn off the water supply to the washing machine and unplug the appliance from the electrical outlet to prevent electric shock or water damage.

2. **Remove the Old Seal:** Carefully remove the outer spring clamp that holds the old door seal to the front panel. Gently pull the old seal through the washer access port.
3. **Clean the Area:** Clean any residue, mold, or debris from the drum and the front panel where the new seal will be installed.
4. **Position the New Seal:** Align the new 5304505004 gasket properly with the outer tub and door frame. Ensure the drain holes at the bottom of the seal are correctly oriented. The precisely positioned mounting holes on the seal will aid in this step.
5. **Secure the Gasket:** Reinstall the inner and outer spring clamps to secure the new gasket in place. Ensure a tight and even seal around the entire circumference.
6. **Final Check:** Once secured, gently pull on the seal to confirm it is firmly seated and there are no gaps.
7. **Restore Power:** Plug the washer back into the outlet and turn on the water supply.
8. **Test for Leaks:** Run a short wash cycle without laundry to check for any leaks around the new door seal.



Image 4.1: Visual instructions for replacing the 5304505004 gasket.

5. MAINTENANCE

Proper maintenance of your washer door seal can extend its lifespan and prevent common issues.

- **Regular Cleaning:** After each wash cycle, wipe down the door seal with a clean cloth to remove any moisture, lint, or detergent residue. This helps prevent mold and mildew growth.
- **Leave Door Ajar:** When the washer is not in use, leave the door slightly ajar to allow air circulation and help dry out the seal and drum interior.
- **Inspect for Damage:** Periodically inspect the seal for any signs of tearing, cracking, or excessive wear. Early detection can prevent leaks and further damage.
- **Avoid Overloading:** Do not overload the washing machine, as this can put undue stress on the door seal and potentially cause damage.

6. TROUBLESHOOTING

If you encounter issues after replacing the door seal, refer to the following common problems and solutions.

6.1. Common Problems:

- **Water Leaks:** If water leaks from the door area, the seal might not be installed correctly, or the clamps are not tight enough.

- **Odor or Mold:** Persistent odors or visible mold indicate insufficient drying or cleaning of the seal.
- **Door Not Closing Properly:** An improperly seated seal can prevent the washer door from latching securely.
- **Excessive Vibration/Noise:** While less common for a seal, an incorrectly installed seal could contribute to minor vibrations if it interferes with the drum's movement.

6.2. Solutions:

- **For Leaks:** Re-check the installation of the seal, ensuring it is evenly seated and both inner and outer clamps are securely fastened. Verify that the drain holes are clear and correctly positioned.
- **For Odor/Mold:** Clean the seal thoroughly with a mild detergent or a specialized washer cleaner. Ensure the seal is dried after each use and the door is left ajar.
- **For Door Closure:** Inspect the seal for any folds or misalignments that might obstruct the door. Adjust the seal's position as needed.
- **If problems persist:** If troubleshooting steps do not resolve the issue, contact customer support or a qualified technician.



Image 6.1: Visual representation of common issues addressed by replacing the door seal.

7. WARRANTY AND SUPPORT

The Alinwirsy 5304505004 washer door seal comes with a **2-year warranty**. This warranty covers defects in material and workmanship under normal use.

For any questions, concerns, or support regarding your purchase or installation, please contact Alinwirsy customer service. We are committed to providing assistance within 12 hours.

8. SAFETY INFORMATION

Always prioritize safety when performing appliance repairs or maintenance.

- **Disconnect Power:** Always unplug the washing machine from the power outlet before beginning any installation or repair work.
- **Turn Off Water Supply:** Ensure the water supply valves to the washer are closed to prevent water leaks.
- **Wear Protective Gear:** Consider wearing gloves to protect your hands during the installation process.
- **Professional Assistance:** If you are uncomfortable or unsure about any step, seek assistance from a qualified appliance technician.