

Manuals.plus /

› Yoolax /

› Yoolax Motorized Blackout Smart Blinds (Model YLQZ-Plug-YM) Instruction Manual

Yoolax YLQZ-Plug-YM

Yoolax Motorized Blackout Smart Blinds

Model: YLQZ-Plug-YM

Brand: Yoolax

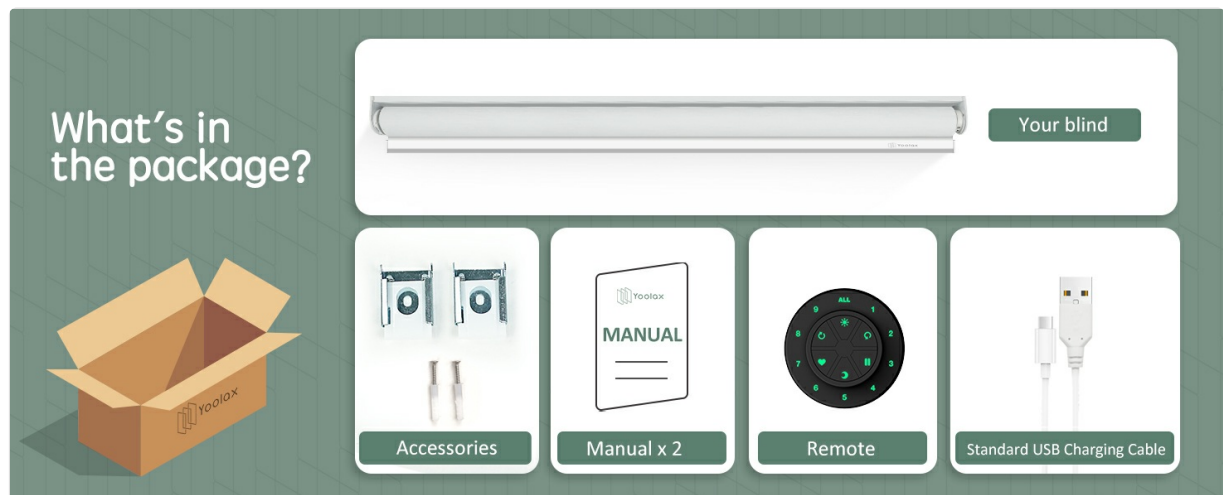
INTRODUCTION

This manual provides detailed instructions for the installation, operation, and maintenance of your Yoolax Motorized Blackout Smart Blinds. Please read this guide thoroughly before installation and use to ensure proper function and longevity of your product.

WHAT'S IN THE BOX

Verify that all components are present before beginning installation:

- Blackout smart blinds
- Motor
- Remote control
- Accessories for installation
- Standard charging cable
- Instruction book



SETUP

1. Measuring Your Window

Accurate measurements are crucial for proper fit and function. Determine whether you will use an Inside Mount or Outside Mount.

Inside Mount Measurement Guide

For an inside mount, the window frame must be at least 2.4 inches deep. Measure the width at the top, middle, and bottom of the window opening, and use the smallest measurement. The shade width should be 0 to 0.1 inches narrower than this minimum window width. Measure the height at the left, middle, and right, and use the smallest measurement. Note that motorized shades will have small light gaps on both sides with an inside mount.

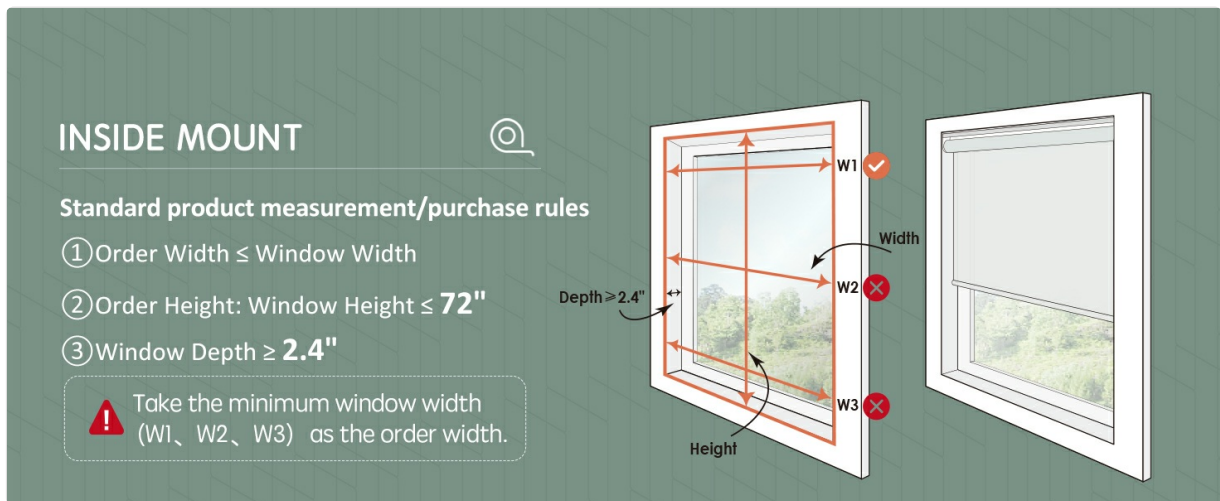


Figure 2: Inside Mount Measurement

Outside Mount Measurement Guide

For an outside mount, the shade should be 3 to 6 inches wider than the window frame for better coverage. Measure the width and height of the outside window frame. For full blackout, an outside mount is recommended.

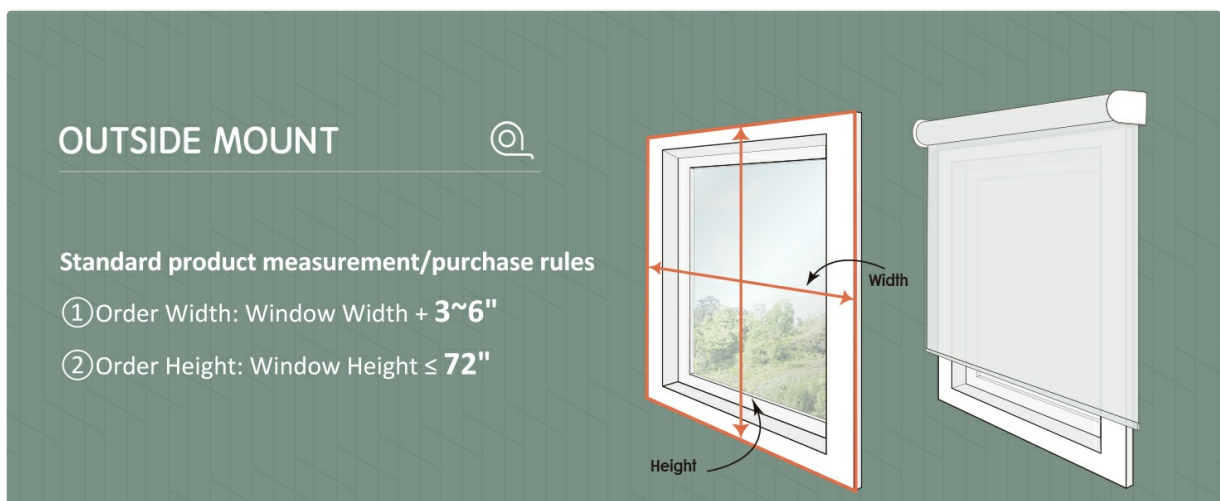


Figure 3: Outside Mount Measurement

Your browser does not support the video tag.

Video 1: How to Measure for Yoolax Smart Roller Shades. This video provides a visual guide on accurately measuring your windows for both inside and outside mount installations.

2. Installation

Inside Mount Installation

Follow these steps to install your blinds using the inside mount method:

1. Mark punch positions for the mounting brackets, ensuring they are 5 inches from each end of the window frame.
2. Drill holes at the marked positions and insert the wall anchors.
3. Secure the mounting brackets using screws.
4. Install the blind by sliding it into the brackets until it clicks into place.

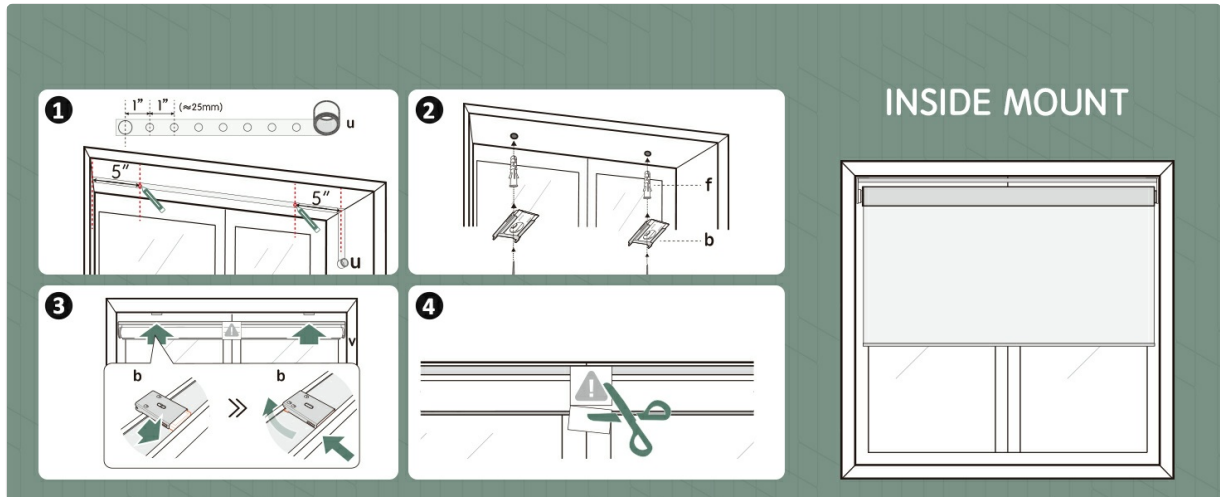


Figure 4: Inside Mount Installation Guide

Outside Mount Installation

Follow these steps to install your blinds using the outside mount method:

1. Mark punch positions for the mounting brackets on the wall above the window frame, ensuring they are 5 inches from each end.
2. Drill holes at the marked positions and insert the wall anchors.
3. Secure the mounting brackets using screws.
4. Install the blind by sliding it into the brackets until it clicks into place. You can choose between a standard roll or reverse roll.

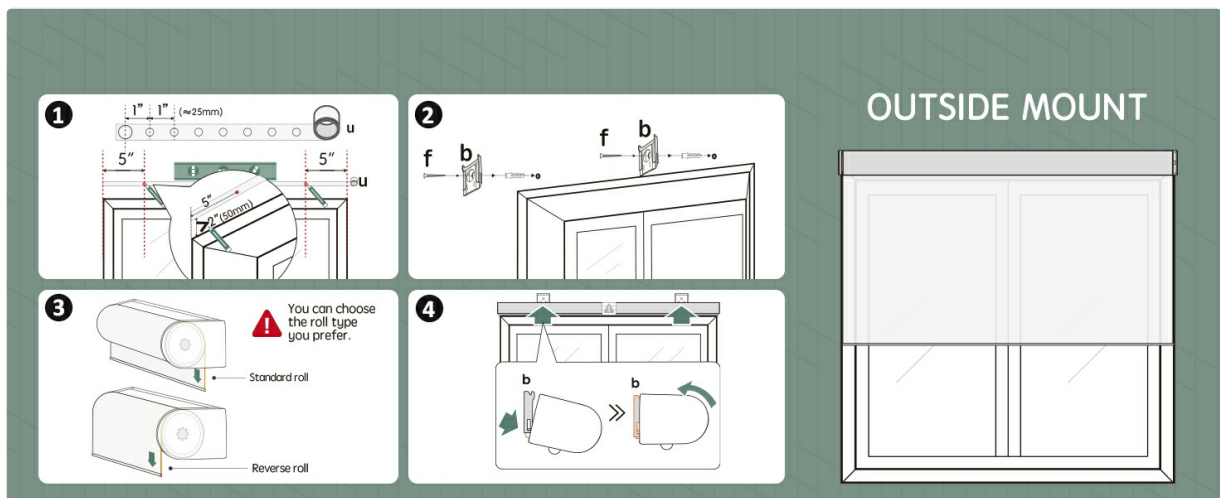


Figure 5: Outside Mount Installation Guide

Your browser does not support the video tag.

Video 2: How to Install for Yoolax Smart Roller Shades. This video demonstrates the step-by-step process for installing your Yoolax smart roller

OPERATING YOUR BLINDS

Remote Control Operation

The Yoolax Lightwirl Remote provides convenient control over your blinds. It can control up to 9 blinds and offers various functions such as group control and adjusting the opening percentage. Refer to the remote's specific instructions for detailed programming.

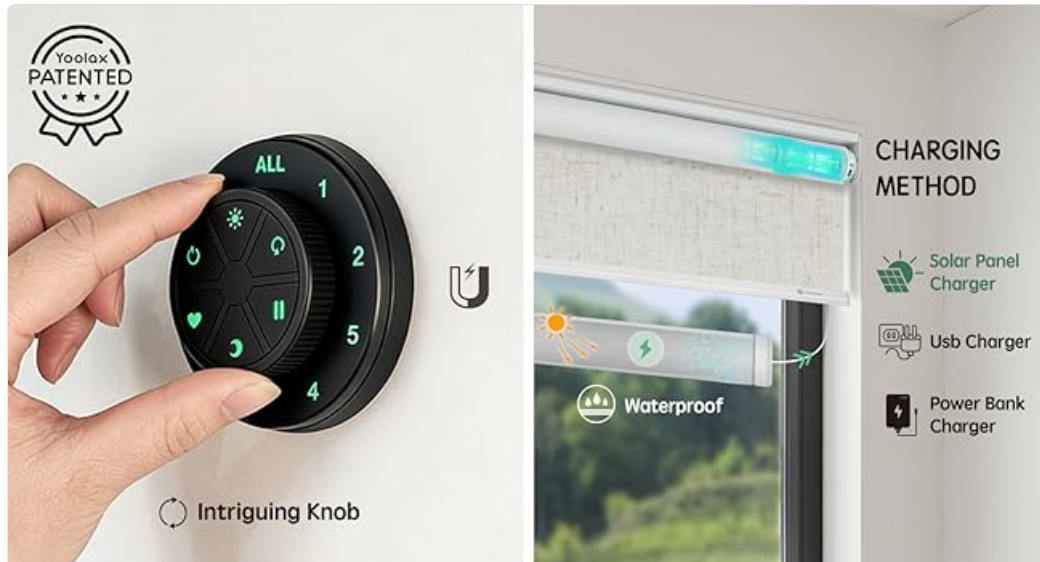


Figure 6: Yoolax Lightwirl Remote

Smart Control with Alexa

Your Yoolax motorized blinds feature a Zigbee Motor, allowing direct compatibility with specific Alexa models without the need for an additional smart hub. Compatible Alexa models include: Echo Plus 2nd Gen, Echo Show 2nd Gen, Echo Studio, Echo Show 10, Echo 4th Gen, Echo Show 8 3rd Gen, and Echo Hub.

To enable voice control, ensure your blinds are paired with a compatible Alexa device. Once paired, you can use voice commands such as "Alexa, open the shades" or "Alexa, close the shades."



Figure 7: Voice Control with Alexa

Your browser does not support the video tag.

Video 3: Yoolax Smart Blackout Roller Shades. This video showcases the smart features of the Yoolax blinds, including Alexa compatibility and blackout functionality.

MAINTENANCE

To maintain the quality and appearance of your Yoolax Motorized Blackout Smart Blinds, please follow these care instructions:

- **Spot Clean Only:** Use a soft, damp cloth to gently spot clean any soiled areas. Avoid harsh chemicals or abrasive cleaners, as these can damage the fabric or motor components.
- **Dusting:** Regularly dust the blinds with a soft brush or vacuum cleaner with a brush attachment to prevent dust buildup.
- **Motor Charging:** The built-in rechargeable battery motor can be used for 4-6 months on a full charge. Charge the motor using the provided standard charging cable. For extended battery life and energy saving, consider purchasing an optional solar panel charger from the Yoolax store.



Figure 8: Rechargeable Zigbee Motor and Charging Options

TROUBLESHOOTING

If you encounter any issues with your Yoolax Motorized Blackout Smart Blinds, please refer to the following common solutions:

- **Blinds not responding to remote:** Ensure the remote's battery is charged and correctly inserted. Try re-pairing the remote with the blinds according to the remote's specific instructions.
- **Blinds not responding to Alexa:** Verify that your Alexa device is compatible and properly connected to your home network. Check the Alexa app for any pairing issues or error messages. Ensure the blinds' motor is charged.
- **Blinds not moving smoothly:** Check for any obstructions in the window track or around the fabric. Ensure the blinds are correctly seated in their mounting brackets.
- **Motor not charging:** Confirm the charging cable is securely connected to both the motor and a power source. If using a solar panel, ensure it is receiving adequate sunlight.

If the problem persists, please contact Yoolax customer support for further assistance.

SPECIFICATIONS

Feature	Detail
Material	Polyester
Product Dimensions	72"L x 58"W
Brand	Yoolax
Color	Blackout Linen Beige
Opacity	Blackout (99% Shading+)
Operation Mode	Automatic
Additional Features	Blackout, Cordless, Keep Privacy, UV Protection, Window Treatments
Mounting Type	Inside Mount, Outside Mount
Control Type	Remote
Number of Items	1
Size	58"W x 72"H
Shape	Rectangular
Recommended Uses	Indoor (Bedroom, Dining Room, Home Office, Kids Room, Living Room)
Model Number	YLQZ-Plug-YM
Manufacturer	Changzhou TM Innovation Technology Co.,Ltd.
Item Type Name	Smart Roller Shades

WARRANTY & SUPPORT

Yoolax provides a **Free 3-year Motor Warranty** for this product. In addition, if you receive damaged components, please take photos and contact us within 30 days for a free replacement.

For any questions, technical support, or warranty claims, please contact Yoolax customer service through the retailer where you purchased the product or visit the official Yoolax website for contact information.