



[Manuals.plus](#) /

> [AsiaHorse](#) /

> AsiaHorse Hydrus-16PIN GPU PSU Extension Cable ARGB Light (16 Pin A GPU Power, White) User Manual

AsiaHorse HYDRUS

AsiaHorse Hydrus-16PIN GPU PSU Extension Cable ARGB Light User Manual

Model: HYDRUS (16 Pin A GPU Power, White)

1. INTRODUCTION

This manual provides instructions for the installation, operation, and maintenance of the AsiaHorse Hydrus-16PIN GPU PSU Extension Cable with ARGB lighting. Please read this manual thoroughly before installation and retain it for future reference.

2. PRODUCT OVERVIEW AND FEATURES

The AsiaHorse Hydrus-16PIN GPU PSU Extension Cable is designed to provide power to high-performance graphics cards while offering customizable ARGB lighting. Key features include:

- **Compatibility:** Suitable for most mainstream GPUs with 16Pin (12+4) ports, including RTX 4070, 4080, and 4090 series.
- **Type A and Type B Connectors:** Available in Type A (4-pin head towards the opposite direction of the cable) and Type B (4-pin head towards the cable direction) to accommodate various GPU interface orientations.
- **ARGB Lighting:** Advanced Addressable RGB lighting with customizable colors and dynamic modes. Syncs with system lighting via software or a hub.
- **Efficient Power Delivery:** Features 8-pin, 18AWG copper wire core with Brass Tin Plated Terminals for lower electrical resistance. Supports up to 900W power input (single wire) and 2500W power supply (whole set).
- **Integrated Minimalist Design:** 90° right-angle design for improved cable management and flexibility, ensuring full contact with all cable terminals.
- **Durability:** Made from long-lasting PVC soft line material, offering over 40,000 bends endurance.
- **Length:** 50cm (19.69 inches) ideal for extension use.

3. SAFETY INFORMATION

Please observe the following safety precautions:

- Ensure your power supply unit (PSU) meets the power requirements of your graphics card and the extension cable.
- Do not force connectors. Ensure proper alignment before insertion.
- Verify that the GPU casing does not obstruct the connection. The plastic surface of the GPU must not exceed 6mm to ensure a secure and full connection.
- Avoid excessive bending or sharp turns of the cable, especially near the connectors, to prevent damage to internal wires.
- Disconnect power from your PC before installing or removing any components.
- This cable is not compatible with ATX 2.0 PSUs. Ensure your PSU is ATX 3.0 ready for optimal performance with 40 series GPUs.

4. PACKAGE CONTENTS

The package should contain the following items:

- 1 x AsiaHorse Hydrus-16PIN GPU PSU Extension Cable (16 Pin A GPU Power, White)
- ARGB Sync Cable (if applicable, for motherboard connection)



Image: The AsiaHorse Hydrus-16PIN GPU PSU Extension Cable with its ARGB sync cable.

5. INSTALLATION GUIDE

Follow these steps to properly install your AsiaHorse Hydrus-16PIN GPU PSU Extension Cable:

5.1. Choosing the Correct Cable Type (Type A or Type B)

The Hydrus-16PIN cable comes in two types, A and B, depending on the orientation of your GPU's 4-pin connector. It is crucial to select the correct type for a proper fit and to prevent damage.

- **Type A:** The 4-pin head (of the 16-pin connector) is oriented towards the opposite direction of the cable.
- **Type B:** The 4-pin head (of the 16-pin connector) is oriented towards the cable direction.

How to choose **A** or **B** TYPE?

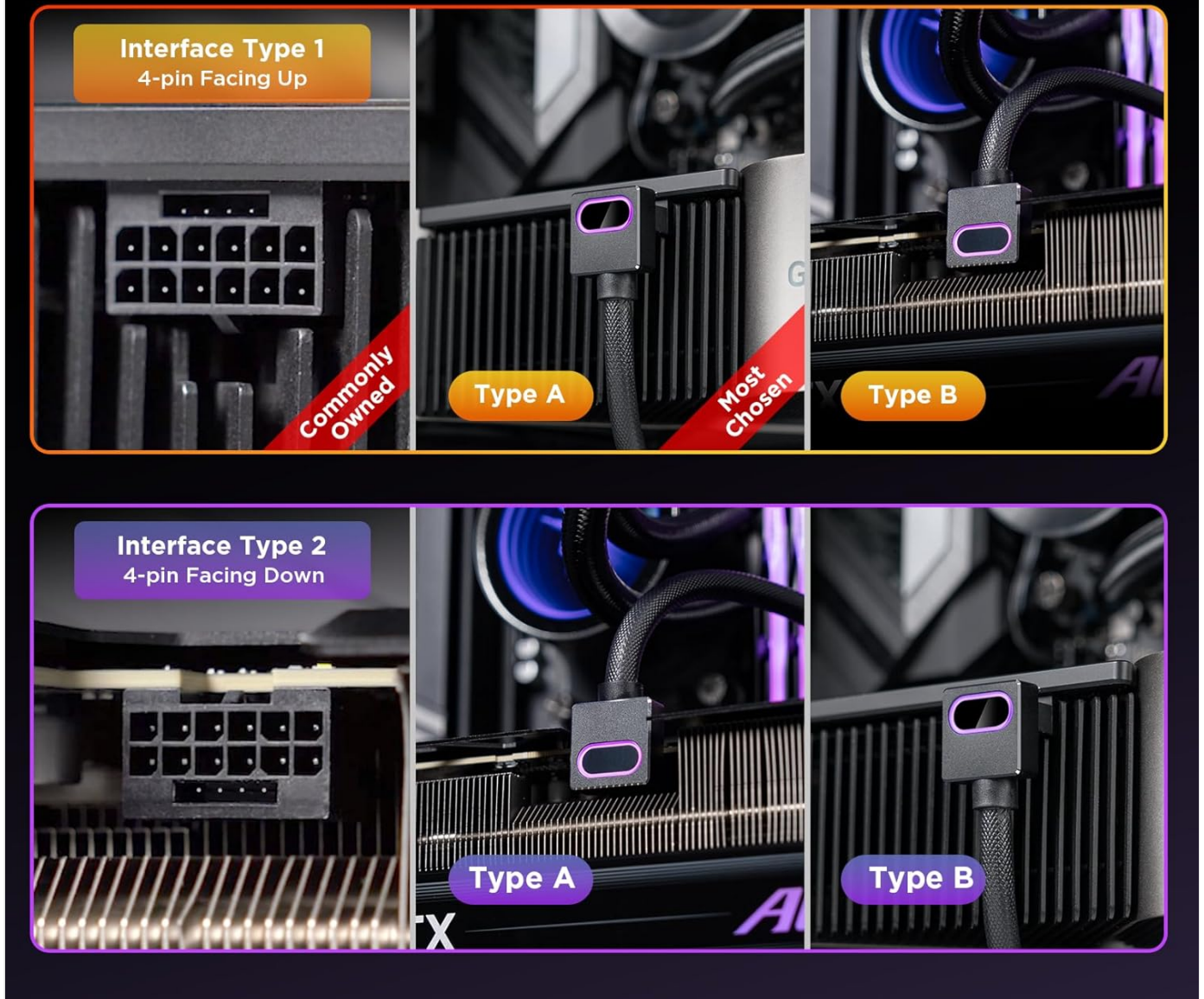


Image: Visual guide for identifying Type A and Type B 16-pin GPU connector orientations.

5.2. Checking GPU Casing Clearance

Ensure that the plastic surface of your GPU does not exceed 6mm in height where the connector plugs in. If it does, the cable may not insert fully, leading to an insecure connection and potential issues. Try a different type (A or B) if the current one is blocked.

The plastic surface of the GPU must **not exceed 6mm.**

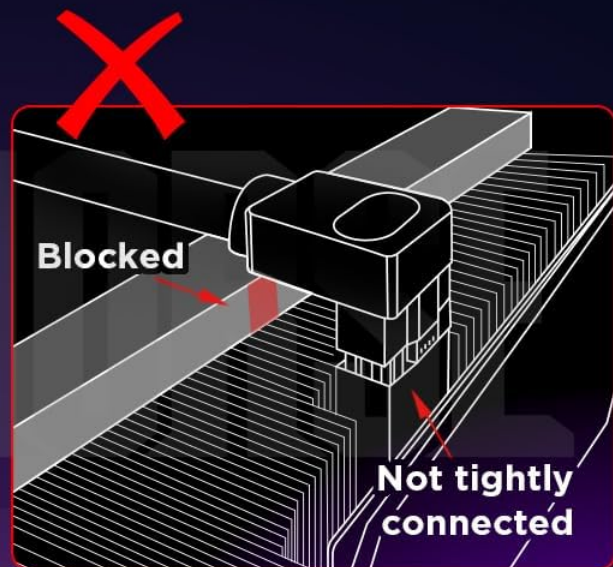
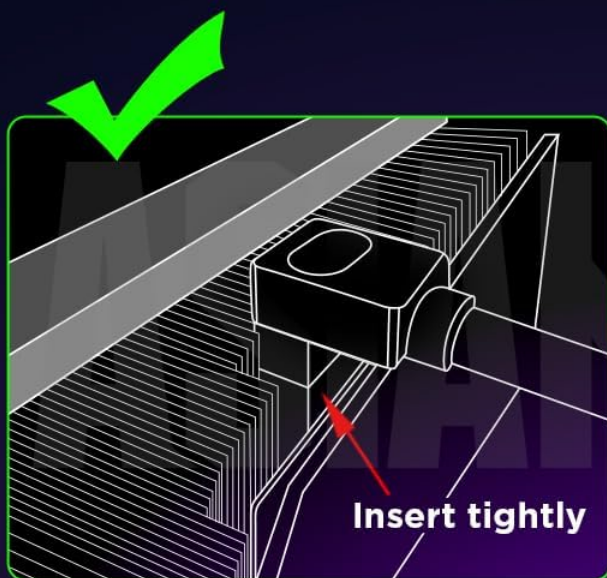
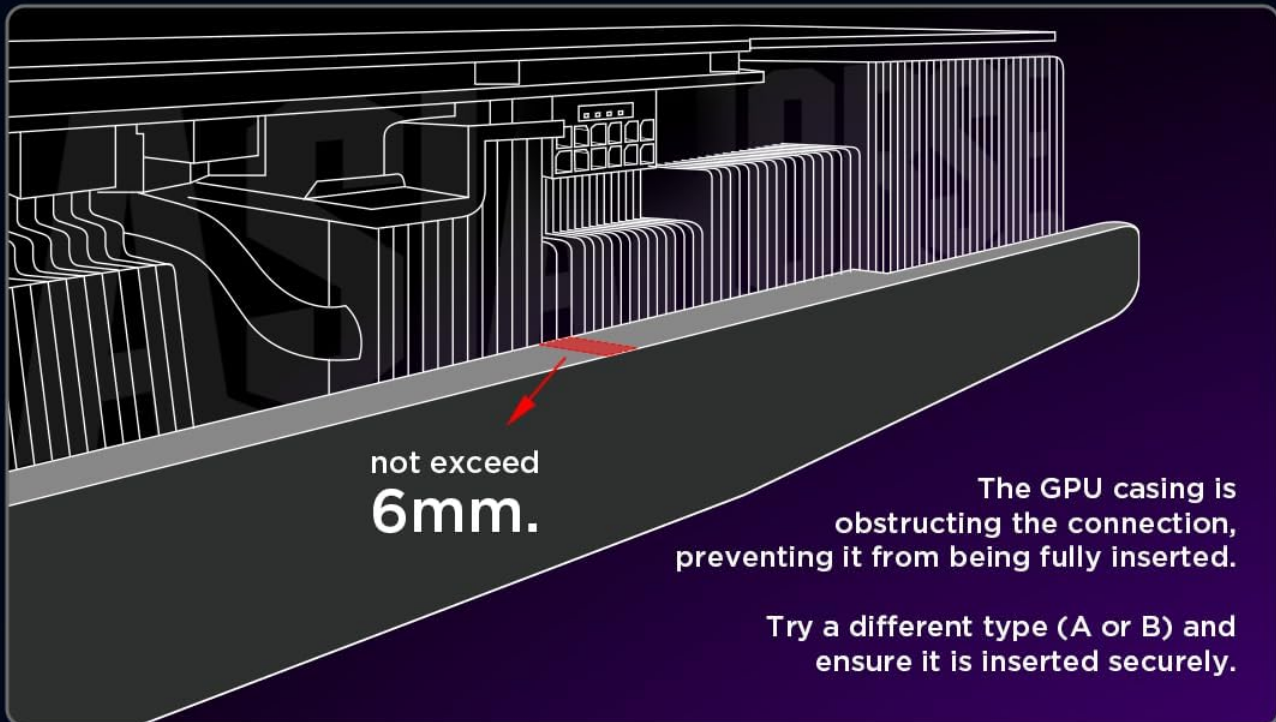


Image: Illustration of proper GPU connector insertion, emphasizing the 6mm clearance requirement.

5.3. Connecting the Cable

1. **Power Off:** Completely power off your computer and disconnect it from the main power source.
2. **Locate GPU Power Port:** Identify the 16-pin (12+4) power port on your graphics card.
3. **Connect to GPU:** Carefully align the 16-pin connector of the extension cable with the port on your GPU. Push firmly

until it is fully seated. The 90° right-angle design facilitates a clean installation without bending the cable excessively.

4. **Connect to PSU:** Connect the other end of the extension cable to the appropriate power output ports on your Power Supply Unit (PSU). Ensure all connections are secure.
5. **ARGB Connection (Optional):** If you wish to utilize the ARGB lighting, connect the small ARGB sync cable from the extension cable to a compatible 5V 3-pin ARGB header on your motherboard or an ARGB controller.

Your browser does not support the video tag.

Video: Installation overview of the AsiaHorse Hydrus PC PSU Extension Cable in a white PC build, demonstrating connection points and aesthetic integration.

Your browser does not support the video tag.

Video: Installation overview of the AsiaHorse Hydrus PC PSU Extension Cable in a black PC build, showcasing the cable's flexibility and ARGB effects.



Image: The 90-degree right-angle design of the connector, highlighting its flexibility and durability.

6. OPERATING INSTRUCTIONS (ARGB LIGHTING)

The ARGB lighting on your Hydrus-16PIN cable can be customized and synchronized with your system's other ARGB components.

1. **Motherboard Sync:** If connected to a 5V 3-pin ARGB header on your motherboard, use your motherboard's RGB control software (e.g., ASUS Aura Sync, MSI Mystic Light Sync, GIGABYTE RGB Fusion, ASRock Polychrome Sync) to manage lighting effects.
2. **ARGB Controller:** If connected to an external ARGB controller, use the controller's interface or software to adjust colors and modes.



Image: The cable showcasing customizable ARGB effects and compatibility with various motherboard sync technologies.

7. MAINTENANCE

To ensure the longevity and optimal performance of your extension cable:

- Keep the cable free from dust and debris. Use compressed air or a soft brush for cleaning.
- Periodically check connections to ensure they remain secure.
- Avoid sharp bends or kinks in the cable, especially during installation or repositioning.
- Do not expose the cable to extreme temperatures or humidity.

8. TROUBLESHOOTING

Problem	Possible Cause	Solution
No power to GPU / System instability	Loose connection; Incorrect cable type (A/B); Insufficient PSU wattage; GPU casing obstruction.	Ensure all 16-pin connectors are fully seated. Verify you are using the correct Type A or Type B cable for your GPU. Check that your PSU meets the power requirements of your GPU. Confirm GPU casing does not exceed 6mm and allows full insertion.
ARGB lighting not working or incorrect colors	ARGB cable not connected; Incorrect ARGB header (e.g., 12V RGB instead of 5V ARGB); Software issue.	Ensure the ARGB sync cable is securely connected to a 5V 3-pin ARGB header. Do not connect to a 12V 4-pin RGB header, as this can damage the LEDs. Check your motherboard's or ARGB controller's software settings.
Cable appears melted or damaged	Improper connection (not fully seated); Overload; Manufacturing defect.	Immediately power off the system. Inspect the connection points for full insertion. Contact AsiaHorse support if damage is evident.

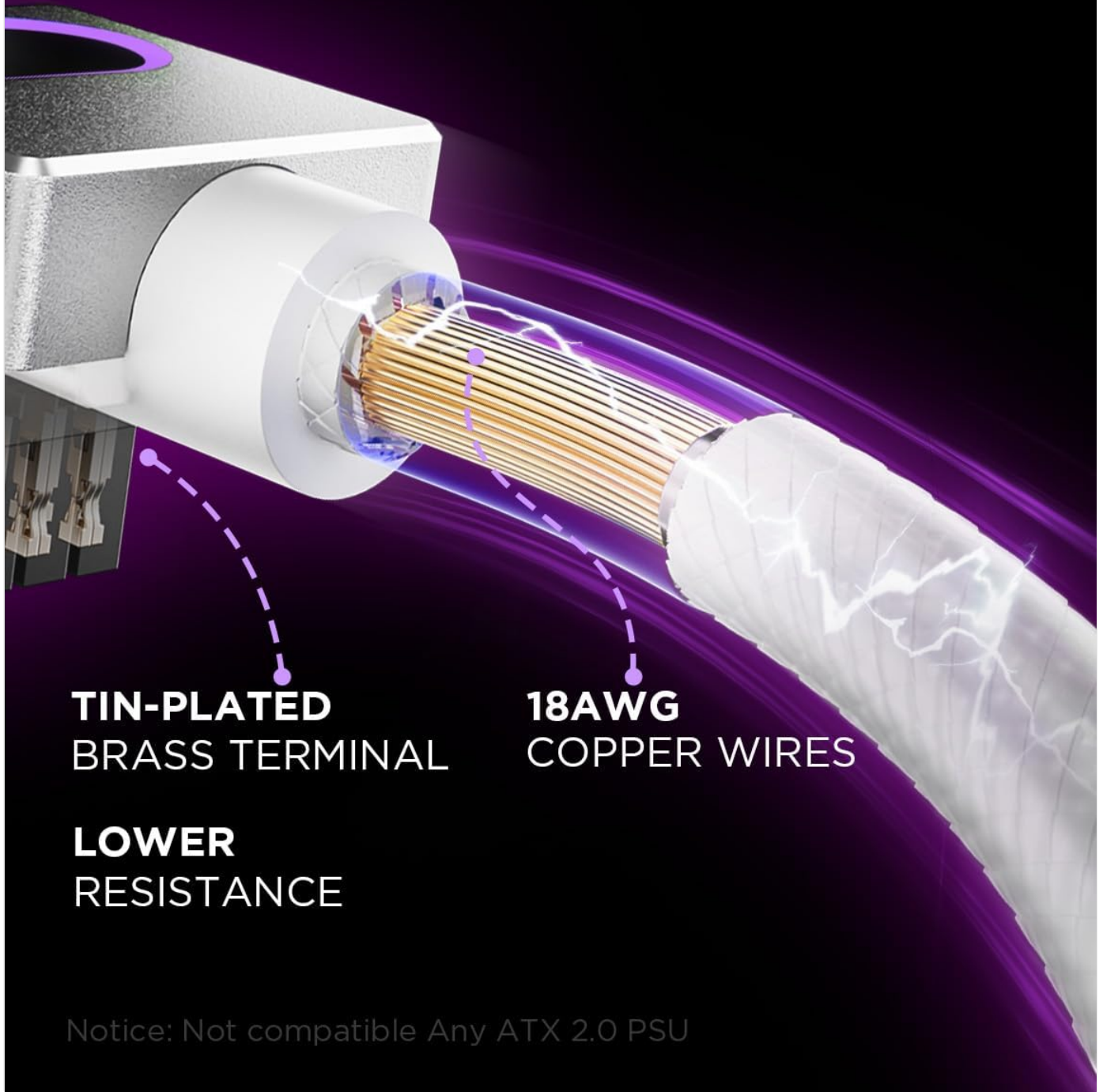
9. SPECIFICATIONS

Feature	Detail
Model	HYDRUS
Connector Type	16-Pin (12+4) GPU Power Extension
Connector Gender	Male-to-Male
Cable Length	50 cm (19.69 inches)
Wire Gauge	18AWG Copper Wire

Feature	Detail
Max Power Input (Single Wire)	Up to 900W
Max Power Supply (Whole Set)	Up to 2500W
Voltage	12 Volts (DC)
Material	PVC Soft Line, Brass Tin Plated Terminal
Bending Endurance	Over 40,000 bends
Color	White
Compatibility	RTX 4070, 4080, 4090 series GPUs with 16Pin (12+4) ports. ATX 3.0 PSUs recommended.

EFFICIENT POWER DELIVERY

40 Series Ready, ATX 3.0 Required



**TIN-PLATED
BRASS TERMINAL**

**18AWG
COPPER WIRES**

**LOWER
RESISTANCE**

Notice: Not compatible Any ATX 2.0 PSU

Image: Details on efficient power delivery, highlighting tin-plated brass terminals and 18AWG copper wires.

TERMINAL WELDING FOR HIGHER EFFICIENCY

Compared to traditional twisted terminals, we use high-precision welded terminals to ensure current stability, low resistance, low heat, efficiency, and safety



Image: Illustration of high-precision welded terminals for stable current and low resistance.

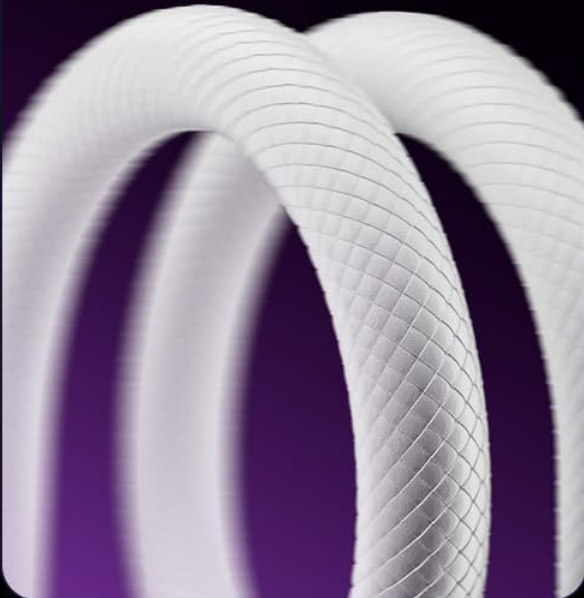
EXTRELY SOFT TO SHAPE



NO CABLE
COMB REQUIRED

PVC

Durable PVC Soft Wire



40000+

Bending Resistance



Image: Demonstrating the soft PVC material and its high bending resistance for easy shaping.

10. WARRANTY AND SUPPORT

AsiaHorse products are designed for reliability and performance. For warranty information, technical support, or any inquiries regarding your Hydrus-16PIN GPU PSU Extension Cable, please visit the official AsiaHorse website or contact

their customer service directly.

AsiaHorse Official Website: [AsiaHorse Store on Amazon](#)

Please retain your proof of purchase for warranty claims.