

[Manuals.plus](#) /

› [FORGING MOUNT](#) /

› FORGING MOUNT Long Reach TV Wall Mount Instruction Manual HY9462-B

FORGING MOUNT HY9462-B

FORGING MOUNT Long Reach TV Wall Mount Instruction Manual

Model: HY9462-B

1. INTRODUCTION

This manual provides detailed instructions for the safe and proper installation, operation, and maintenance of your FORGING MOUNT Long Reach TV Wall Bracket Mount. Please read this manual thoroughly before installation and retain it for future reference.

The FORGING MOUNT TV wall mount is designed for large flat or curved screen televisions, offering full motion capabilities including tilt, swivel, and extension for optimal viewing angles. It features a robust construction and an integrated power strip for convenience.

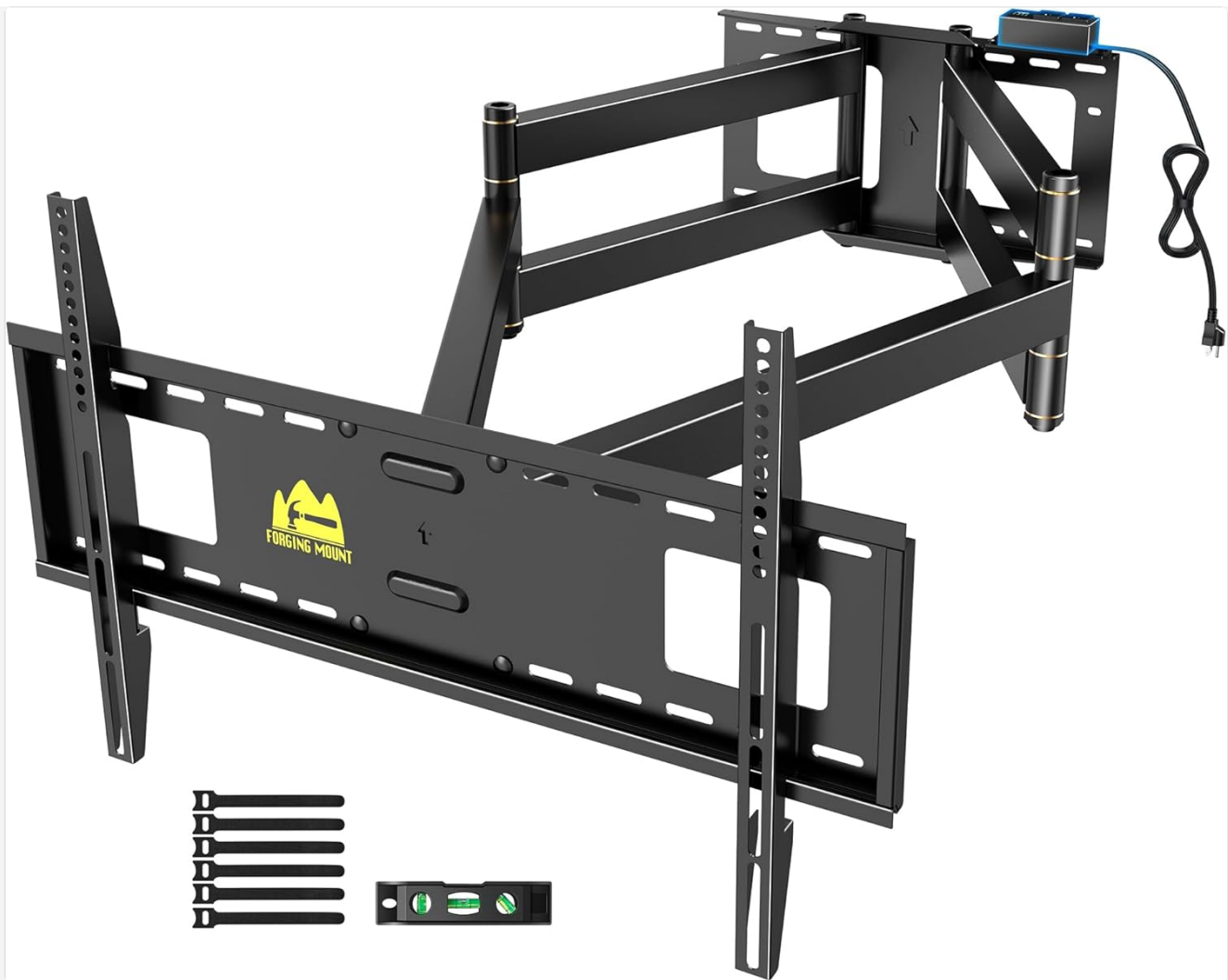


Image 1.1: Overview of the FORGING MOUNT Long Reach TV Wall Mount and included accessories.

2. IMPORTANT SAFETY INFORMATION

WARNING: Failure to read and follow these instructions may result in serious personal injury, property damage, or voiding of your warranty.

- Ensure the mounting surface can safely support the combined weight of the mount and your television.
- **DO NOT** install on drywall alone. This mount requires installation into wood studs, solid concrete, or brick walls.
- Always use a stud finder to locate wood studs accurately.
- Verify the VESA pattern and weight of your TV are within the specified limits of this mount.
- Use only the hardware provided or specified by the manufacturer.
- If you are unsure about any part of the installation process, consult a qualified professional installer.
- Keep children and pets away during installation.

3. PACKAGE CONTENTS

Carefully unpack the box and ensure all parts are present and undamaged. If any parts are missing or defective, contact customer support immediately.

3.1 Mount Components

- Wall Plate Assembly with Articulating Arms
- TV Bracket Rails (2x)
- Integrated Power Strip with Power Cord

3.2 Hardware Pack

The hardware pack includes various screws, washers, and spacers to accommodate different TV models and wall types. A drilling template and a bubble level are also included.



Image 3.1: Included mounting hardware (screws, washers, spacers).

Refer to the included hardware guide for specific screw sizes (M4, M6, M8) and their applications.

4. COMPATIBILITY CHECK

Before proceeding with installation, ensure your television and wall type are compatible with this mount.

4.1 TV Size and Weight

- **Screen Size:** Fits most 50 to 100 inch flat or curved TVs.
- **Weight Capacity:** Supports TVs up to 198 lbs (90 kg).

4.2 VESA Pattern

This mount supports VESA patterns from 200x100mm to 800x600mm. Measure the horizontal and vertical distance between the mounting holes on the back of your TV to determine its VESA pattern.

4.3 Wall Types

The mount is designed for installation on:

- 16-inch Wood Studs
- Solid Concrete Walls
- Brick Walls

IMPORTANT: DO NOT mount this product on drywall alone. Drywall cannot support the weight of the mount and a large television.

Wide Compatibility



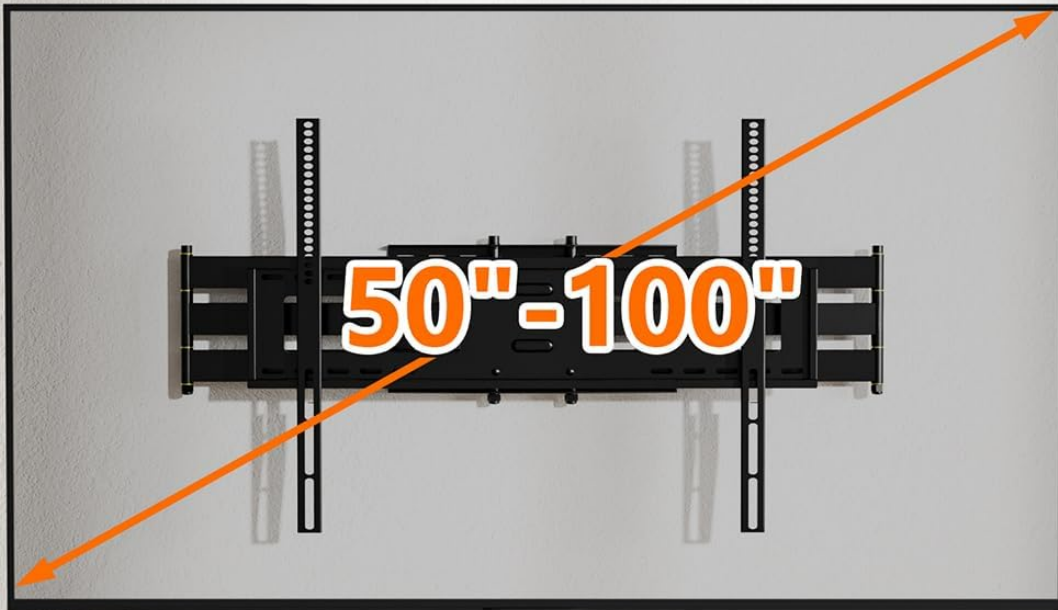
Solid Concrete
(Anchors Included)



Wood Studs
(16"12")



Brick wall
(Anchors Included)



DO NOT INSTALL IT IN DRYWALL ALONE!



Max load :
198 lbs(90kg)

Applicable VESA Patterns:

max: 800mmx600mm

min: 100mmx100mm

Image 4.1: Visual guide for TV size, VESA compatibility, and suitable wall types.



5. INSTALLATION GUIDE

Follow these steps carefully for a secure installation. It is recommended to have at least two people for installation, especially when lifting the TV.

5.1 Tools Required (Not Included)

- Stud Finder (for wood stud installation)
- Drill with appropriate drill bits (wood or masonry)
- Phillips Head Screwdriver
- Socket Wrench
- Pencil
- Measuring Tape

5.2 Attaching TV Brackets to Your TV

1. Lay your TV face down on a soft, clean surface to prevent scratches.
2. Identify the correct diameter and length of screws (M4, M6, or M8) that fit your TV's mounting holes. Use washers and spacers as needed to ensure the screws do not bottom out and the brackets sit flush.
3. Attach the two vertical TV bracket rails to the back of your TV using the selected screws, washers, and spacers. Ensure the brackets are centered and securely tightened.

5.3 Mounting the Wall Plate

For Wood Stud Installation:

1. Use a stud finder to locate the edges and center of two adjacent wood studs. Mark the center of the studs at the desired height for your TV.
2. Place the drilling template against the wall, aligning it with your marked stud centers and desired TV height. Use the included bubble level to ensure it is perfectly horizontal.
3. Mark the pilot hole locations through the template.
4. Drill pilot holes into the wood studs at the marked locations.
5. Attach the wall plate assembly to the wall using the lag bolts and washers provided. Tighten securely, but do not overtighten.

For Concrete/Brick Wall Installation:

1. Mark the desired height and horizontal position for the wall plate. Use the included bubble level to ensure it is perfectly horizontal.
2. Place the drilling template against the wall and mark the pilot hole locations.
3. Drill pilot holes into the concrete or brick wall using a masonry drill bit.
4. Insert the concrete anchors into the drilled holes, ensuring they are flush with the wall surface.
5. Attach the wall plate assembly to the wall using the lag bolts and washers provided, screwing them into the anchors. Tighten securely.

5.4 Hanging the TV

1. With assistance, carefully lift the TV and hook the TV bracket rails onto the wall plate.

2. Ensure the TV is securely seated on the wall plate.
3. Engage the safety locking screws or mechanisms on the TV brackets to prevent accidental dislodgement.

5.5 Integrated Power Strip Installation

The integrated power strip can be mounted in one of four positions on the wall plate for convenient access. Choose the position that best suits your setup.



Image 5.1: Four possible mounting locations for the integrated power strip.

Secure the power strip using the provided small screws. Plug the power strip's cord into a wall outlet. You can then

connect your TV, game console, or other devices to the 2 AC outlets and 2 USB ports.

6. OPERATING THE MOUNT

Your FORGING MOUNT provides flexible viewing options. Adjustments should be made smoothly and carefully.

6.1 Extension and Retraction

Gently pull or push the TV to extend it up to 42.6 inches from the wall or retract it back to a low-profile 2.8 inches.

6.2 Swivel Adjustment

The mount allows for a 180-degree swivel, enabling you to direct the TV screen towards different viewing areas in the room.

75 inch TV Can Swivel 90 Degree Sideways in either direction without hitting the wall. Perfect solution to mount your TV anywhere you want



Image 6.1: Demonstrating the mount's ability to swivel a 75-inch TV 90 degrees.

6.3 Tilt Adjustment

Adjust the tilt angle from +5 degrees to -15 degrees to reduce glare or achieve a more comfortable viewing angle. This is typically a tool-free adjustment.

6.4 Level Adjustment

After installation, you can fine-tune the TV's horizontal level by +/-3 degrees to ensure it is perfectly straight.

43inch Long Arm TV Wall Mount

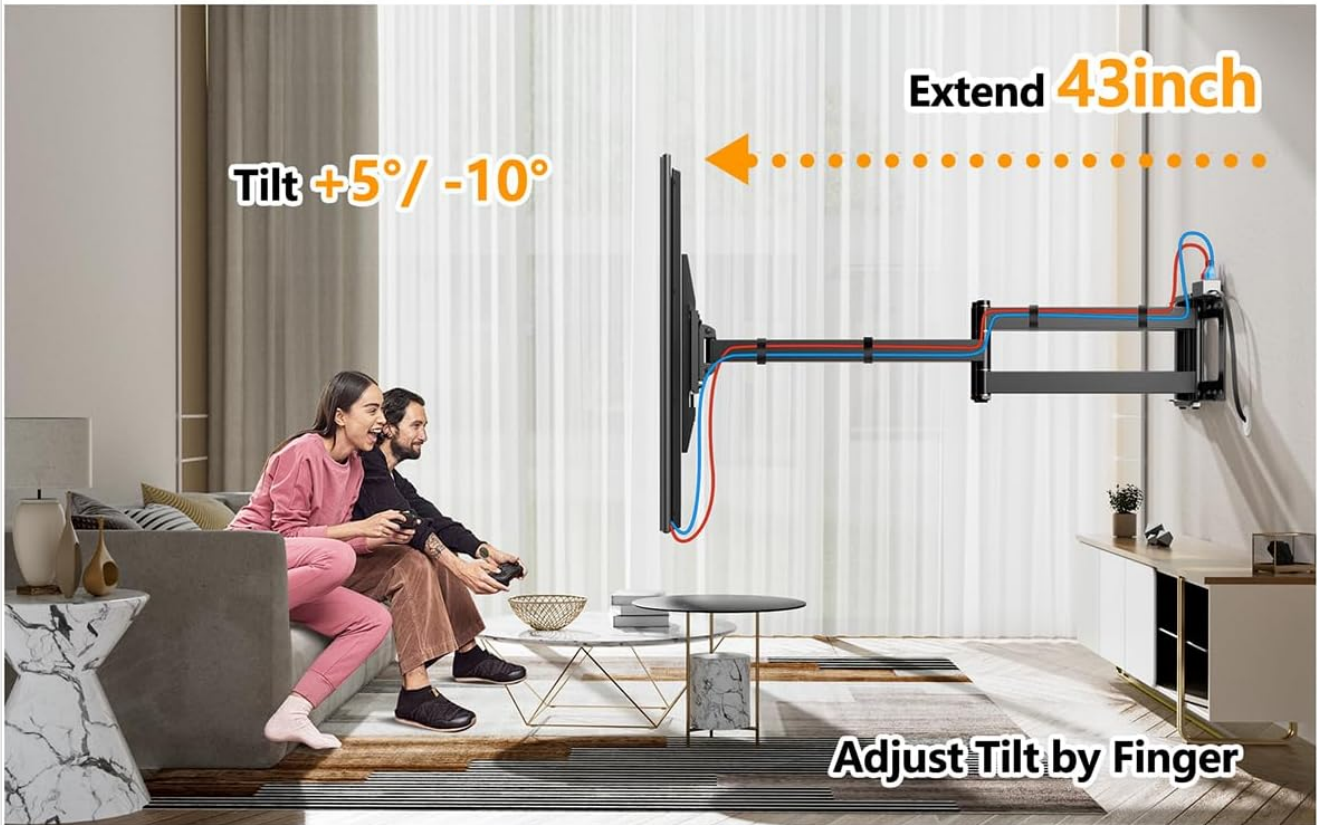


Image 6.2: Visual representation of the mount's tilt, swivel, and level adjustment features.

7. MAINTENANCE

- Periodically check all screws and connections to ensure they remain tight and secure.
- Clean the mount with a soft, dry cloth. Avoid abrasive cleaners or solvents.
- If the articulating arms become stiff, a small amount of silicone-based lubricant can be applied to the pivot points. Avoid petroleum-based lubricants.

8. TROUBLESHOOTING

Problem	Possible Cause	Solution
TV is not level after installation.	Initial leveling was not precise.	Use the +/-3 degree level adjustment feature to fine-tune the TV's position.
Mount feels stiff when extending/swiveling.	Joints may require lubrication or are new.	Apply a small amount of silicone-based lubricant to the pivot points. Movement should become smoother with use.
Power strip not working.	Not plugged into wall outlet, or circuit breaker tripped.	Ensure the power strip's cord is securely plugged into a functioning wall outlet. Check your home's circuit breaker.
Mount appears unstable.	Improper installation or loose fasteners.	Immediately remove the TV. Re-check all wall mounting bolts and TV bracket screws for tightness. Ensure installation was on a suitable wall type (wood stud, concrete, brick) and not drywall alone. If issues persist, consult a professional.

9. SPECIFICATIONS

Feature	Detail
Model Number	HY9462-B
Compatible TV Sizes	50 - 100 inches
Weight Capacity	198 lbs (90 kg)
VESA Compatibility	200x100mm to 800x600mm
Mounting Type	Wall Mount
Movement Type	Articulating, Tilt, Swivel
Tilt Angle	+5° / -15°
Swivel Angle	180°
Level Adjustment	+/-3°
Extension from Wall	2.8 inches (retracted) to 42.6 inches (extended)
Material	Alloy Steel

Feature	Detail
Color	Black
Integrated Power Strip	2 AC Outlets, 2 USB Ports, 6.68 ft Power Cord
Item Weight	31.4 pounds
Package Dimensions	44 x 11 x 4 inches

10. WARRANTY INFORMATION

FORGING MOUNT products are manufactured with quality and durability in mind. This product comes with a limited warranty against defects in materials and workmanship under normal use. Please refer to the warranty card included in your package or visit the official FORGING MOUNT website for detailed warranty terms and conditions. Proof of purchase is required for all warranty claims.

11. CUSTOMER SUPPORT

If you have any questions regarding the installation, operation, or parts of your FORGING MOUNT TV wall mount, please do not hesitate to contact our professional product support team.

- **Website:** [Visit the FORGING MOUNT Store on Amazon](#)
- **Email:** Refer to your product packaging or warranty card for direct contact information.

Please have your model number (HY9462-B) and purchase date ready when contacting support.

