



[Manuals.plus](#) /

› [SAYNO](#) /

› SAYNO 12472876 Front Driver Side Door Armrest Handle Instruction Manual for 1999-2006 Chevrolet and GMC Vehicles

SAYNO 12472876

SAYNO 12472876 Front Driver Side Door Armrest Handle Instruction Manual

For 1999-2006 Chevrolet and GMC Vehicles

1. PRODUCT OVERVIEW

This manual provides instructions for the SAYNO 12472876 Front Driver Side Door Armrest Handle. This component is designed as a direct replacement part, manufactured to meet or exceed original equipment (OE) specifications for fit and function. It is intended to restore the functionality and appearance of the front left door armrest in compatible vehicles.

FRONT LEFT DRIVER SIDE DOOR ARMREST HANDLE

If your car door armrest is broken, you don't need to replace the whole door panel. Replace our door armrest repair kit, which perfectly match the original parts and more affordable!



Image 1: SAYNO 12472876 Front Driver Side Door Armrest Handle. This image displays the replacement armrest handle alongside a vehicle's interior door panel, illustrating where the part is installed.

2. COMPATIBILITY

The SAYNO 12472876 Front Driver Side Door Armrest Handle is compatible with the following 1999-2006 vehicle models. Please verify your vehicle's model and year carefully before ordering to ensure proper fitment.

- 1999-2006 Chevrolet Suburban 1500
- 1999-2006 Chevrolet Suburban 2500
- 1999-2006 Chevrolet Tahoe
- 1999-2006 Chevrolet Avalanche
- 1999-2006 Chevrolet Silverado 1500
- 1999-2006 Chevrolet Silverado 2500
- 1999-2006 Chevrolet Silverado 2500HD
- 1999-2006 Chevrolet Silverado 3500
- 1999-2006 GMC Yukon
- 1999-2006 GMC Yukon XL 1500
- 1999-2006 GMC Yukon XL 2500
- 1999-2006 GMC Sierra 1500
- 1999-2006 GMC Sierra 2500HD

- 1999-2006 GMC Sierra 3500
- 1999-2006 Cadillac Escalade
- 1999-2006 Cadillac Escalade ESV
- 1999-2006 Cadillac Escalade EXT

COMPATIBILITY REFERENCE

- For 1999-2006 Chevrolet Suburban 1500
- For 1999-2006 Chevrolet Suburban 2500
- For 1999-2006 Chevrolet Tahoe
- For 1999-2006 Chevrolet GMC Yukon
- For 1999-2006 Chevrolet GMC Yukon XL 1500
- For 1999-2006 Chevrolet GMC Yukon XL 2500
- For 1999-2006 Chevrolet Avalanche
- For 1999-2006 Cadillac Escalade
- For 1999-2006 Cadillac Escalade ESV
- For 1999-2006 Cadillac Escalade EXT
- For 1999-2006 Chevrolet Silverado 1500
- For 1999-2006 Chevrolet Silverado 2500
- For 1999-2006 Chevrolet Silverado 2500HD
- For 1999-2006 Chevrolet Silverado 3500
- For 1999-2006 GMC Sierra 1500
- For 1999-2006 GMC Sierra 2500HD
- For 1999-2006 GMC Sierra 3500



* Please check your model and year carefully before ordering.

* All brands and models mentioned above are only used as a reference for compatibility.



Image 2: Compatibility Reference. This image visually confirms the list of compatible Chevrolet, GMC, and Cadillac models and years.

3. WHAT'S IN THE BOX

Your package should contain the following item:

- 1 x Front Driver Side Door Armrest Handle (Part Number: 12472876)

FRONT DRIVER SIDE DOOR ARMREST



Image 3: Front Driver Side Door Armrest Handle. This image shows the armrest handle with its replacement part number, 12472876.

4. INSTALLATION INSTRUCTIONS

This section outlines the steps for replacing the front driver side door armrest handle. The process is designed for direct replacement and typically takes approximately 10 minutes.

Important Fitment Note:

This repair kit is designed for door panels **without** a built-in dashboard. Please verify your truck's door panel layout before proceeding with installation.

FITMENT NOTE

Verify your truck's door panel layout before purchasing.



Repair kit works for
door panels without
built-in dashboard.



Repair kit won't work
for door panels with
built-in dashboard.

Image 4: Fitment Note. This diagram illustrates the correct door panel type (without built-in dashboard) for installation and the incorrect type (with built-in dashboard).

Step-by-Step Installation:

- 1. Remove Plastic Parts:** Use appropriate tools (e.g., a pry tool or screwdriver) to carefully remove any plastic trim or covers at the corresponding positions on the door panel that conceal mounting bolts or clips.
- 2. Remove Bolts:** Locate and remove the bolts securing the existing armrest handle to the door panel.
- 3. Lift Armrest:** Gently lift the armrest upwards and slowly remove it from the door frame. Exercise caution to prevent damage to internal wiring or components.
- 4. Unplug Wires:** If present, unplug any electrical wires connected to the armrest assembly (e.g., for window switches) at the bottom and back.
- 5. Replace Armrest:** Position the new SAYNO armrest handle in place. Reconnect any unplugged electrical wires.
- 6. Secure and Reassemble:** Install the removed door frame and secure the new armrest with the bolts. Reattach any plastic trim or covers removed in Step 1. Ensure all components are firmly in place.

INSTALLATION REFERENCE

SAYNO

1. Use tools to remove the plastic parts at the corresponding positions.



2. Use tools to remove the bolts at the corresponding positions.



4. Unplug the wires at the bottom and back.



3. Then lift the armrest upwards and slowly remove the door frame to prevent damage to internal parts.



5. Replace the new Chevrolet armrest, and then plug the unplugged wire back.

6. Install the removed door frame to its original position, and the Chevrolet door handle is replaced.

Image 5: Installation Reference. This image provides a visual, step-by-step guide for the installation process of the armrest handle.

5. OPERATING INSTRUCTIONS

The armrest handle functions as a static support and a point of leverage for closing the door. Once installed, it operates immediately without further setup. Ensure the handle is securely fastened before regular use.

6. MAINTENANCE

To ensure the longevity and appearance of your armrest handle:

- **Cleaning:** Wipe the armrest with a soft, damp cloth and mild automotive interior cleaner as needed. Avoid abrasive cleaners or solvents that may damage the finish.
- **Inspection:** Periodically check the armrest for any signs of looseness or damage. Ensure all mounting points remain secure.

7. TROUBLESHOOTING

Issue	Possible Cause	Solution
Armrest does not fit correctly.	Incorrect vehicle model/year or door panel type.	Verify compatibility with your vehicle's exact model, year, and door panel configuration (ensure it does not have a built-in dashboard). Refer to the Compatibility section.
Armrest feels loose after installation.	Mounting bolts not fully tightened or incorrect installation.	Re-check all mounting bolts and ensure they are securely tightened. Review the installation steps to confirm proper procedure.
Color mismatch with existing interior.	Variations in manufacturing or vehicle interior aging.	Due to lighting and manufacturing processes, slight color variations may occur. Refer to the actual product color.

8. SPECIFICATIONS

- **Part Number:** 12472876
- **Material:** Plastic
- **Color:** Dark Gray
- **Hand Orientation:** Left (Driver Side)
- **Handle Type:** Pull Handle
- **Attachment Mechanism:** Screw/Bolt
- **Item Weight:** 0.61 Kilograms
- **Included Components:** 1* Front Driver Side Door Armrest

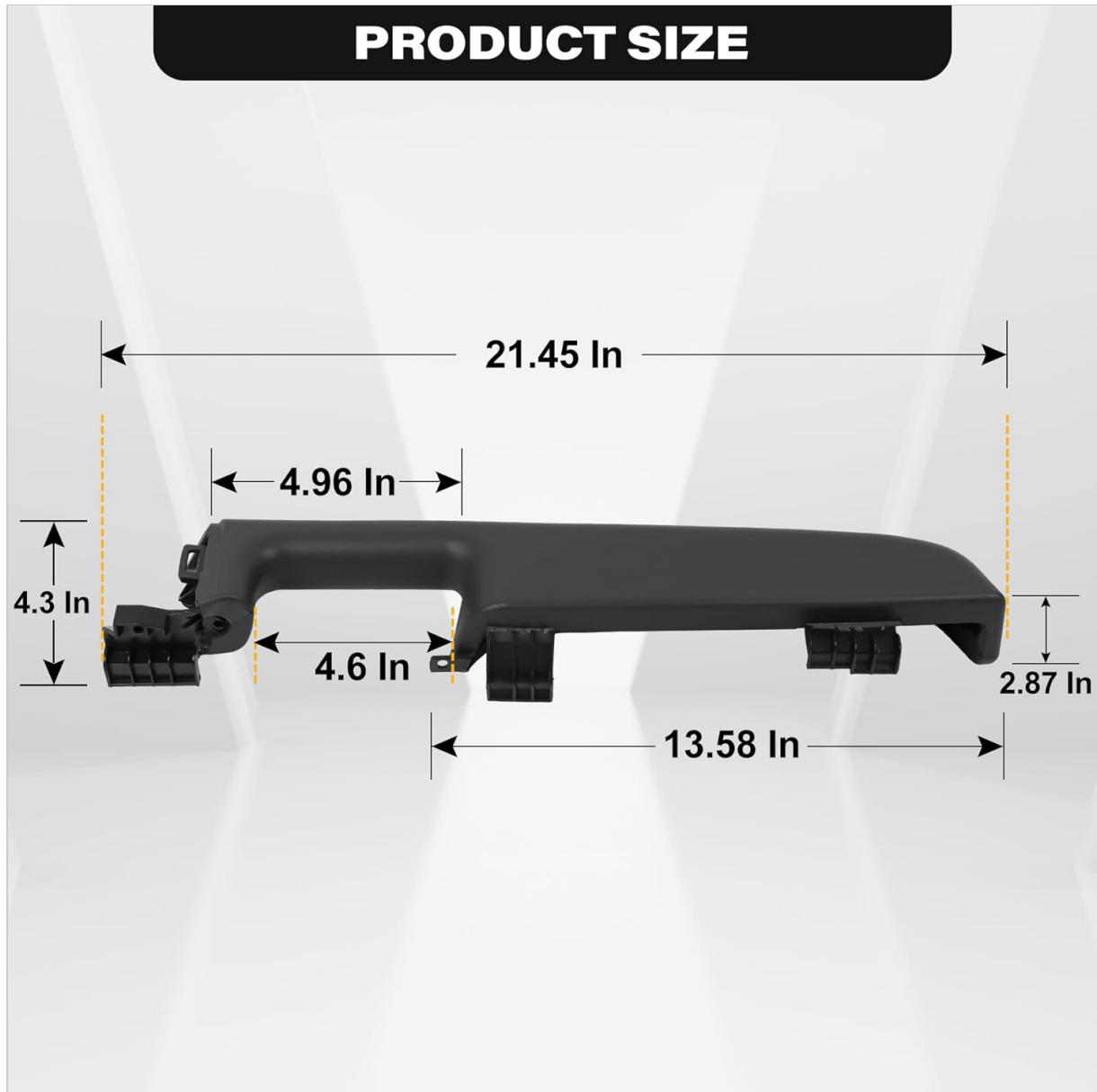


Image 6: Product Size. This image provides detailed dimensions of the armrest handle in inches.

9. WARRANTY AND SUPPORT

SAYNO provides a **3-year warranty** for this product. If you encounter any issues or have questions regarding the SAYNO 12472876 Front Driver Side Door Armrest Handle, please contact our customer service team. We are committed to providing 24-hour service to ensure your satisfaction.

For support, please refer to the contact information provided with your purchase or visit the official SAYNO website.

