

[Manuals.plus](#) /

› [SHLUCE](#) /

› SHLUCE FLA007A Caged Flush Mount Ceiling Fan User Manual

SHLUCE FLA007A

SHLUCE FLA007A Caged Flush Mount Ceiling Fan User Manual

Model: FLA007A | Brand: SHLUCE

INTRODUCTION

Thank you for purchasing the SHLUCE FLA007A Caged Flush Mount Ceiling Fan. This manual provides detailed instructions for the safe installation, operation, and maintenance of your new ceiling fan. Please read this manual thoroughly before installation and keep it for future reference.



Image: The SHLUCE FLA007A Caged Flush Mount Ceiling Fan, 18.5 inch, black finish, installed on a ceiling.

SAFETY INFORMATION

WARNING: To reduce the risk of fire, electric shock, or personal injury, always follow these basic precautions:

- Read all instructions before installing the fan.
- Ensure the installation site is structurally sound and can support the fan's weight.
- All wiring must be in accordance with national and local electrical codes. If you are unfamiliar with wiring, consult a qualified electrician.
- Disconnect power at the circuit breaker or fuse box before beginning installation or performing any maintenance.
- Do not operate the fan with a damaged power cord or plug.
- Avoid placing objects in the path of the fan blades.
- This fan is designed for indoor use only.

WHAT'S IN THE BOX

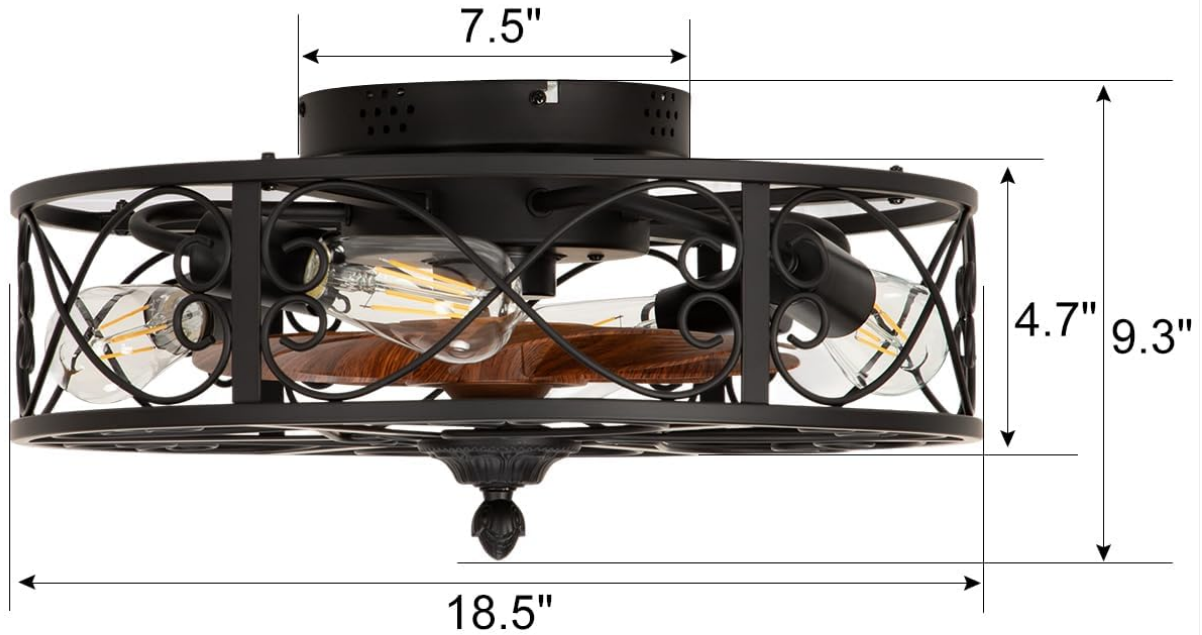
Verify that all components are present before beginning installation:

- Caged Ceiling Fan Unit
- Remote Control
- Mounting Hardware Kit
- Instruction Manual (this document)

PRODUCT SPECIFICATIONS

Brand	SHLUCE
Model Name	FLA007A
Color	Black
Size	18.5 inch
Material	Metal
Power Source	Corded Electric
Voltage	110 Volts
Wattage	40 watts
Control Method	Remote
Installation Type	Flush Mount
Item Weight	9.5 Pounds
Light Socket	4 x E26 (bulbs not included)

Product Specifications



 6 Speed + Natural Wind

 4xE26 Base(More Brighter)

 Reversible Motor

 Timing 2/4H

 Easy to Install(Already Assembled)



Mute: No beeping

Image: Detailed product specifications including dimensions (18.5 inch diameter, 9.3 inch height) and a visual of the remote control.

SETUP AND INSTALLATION

Important: Before installation, ensure the power supply is turned off at the circuit breaker. If you are unsure about electrical wiring, consult a qualified electrician.

- 1. Prepare the Mounting Location:** Ensure the ceiling junction box is securely mounted and capable of supporting the fan's weight (9.5 lbs).
- 2. Attach Mounting Bracket:** Secure the mounting bracket to the ceiling junction box using the provided screws.
- 3. Wiring Connections:** Connect the fan's electrical wires to the household wiring according to local electrical codes. Typically, this involves connecting live, neutral, and ground wires. Ensure all connections are secure.
- 4. Mount the Fan Unit:** Carefully lift the fan unit and attach it to the mounting bracket. Secure it with the appropriate screws.
- 5. Install Light Bulbs:** Insert four E26 base light bulbs (not included) into the sockets.
- 6. Restore Power:** Once installation is complete and all connections are secure, restore power at the circuit breaker.

Most functional components of this fan are pre-assembled for easier installation.

OPERATING INSTRUCTIONS

Your SHLUCÉ ceiling fan is controlled by the included remote control. Ensure 2*AAA batteries (not included) are installed in the remote.

Remote Control Functions:

- **ALL ON/OFF:** Turns both the lights and fan on/off simultaneously.
- **Light On/Off:** Controls the light function independently.
- **Fan On/Off:** Controls the fan function independently.
- **Fan Speed Control (1-6):** Adjusts fan speed from 1 (gentle) to 6 (strong).
- **Fan Reverse Transmission (R):** Activates the updraft mode for winter air circulation.
- **Fan Forward Transmission (F):** Activates the downdraft mode for summer cooling.
- **Mute:** Disables beeping sounds from the fan.
- **Natural Wind:** Simulates natural breeze by varying fan speeds.
- **Timer (2H/4H):** Sets the fan and light to turn off automatically after 2 or 4 hours.



Image: Illustration of the fan's 6-speed settings (Gentle, Comfortable, Strong Wind) and features like ultra-quiet operation and timing.

Reversible Motor

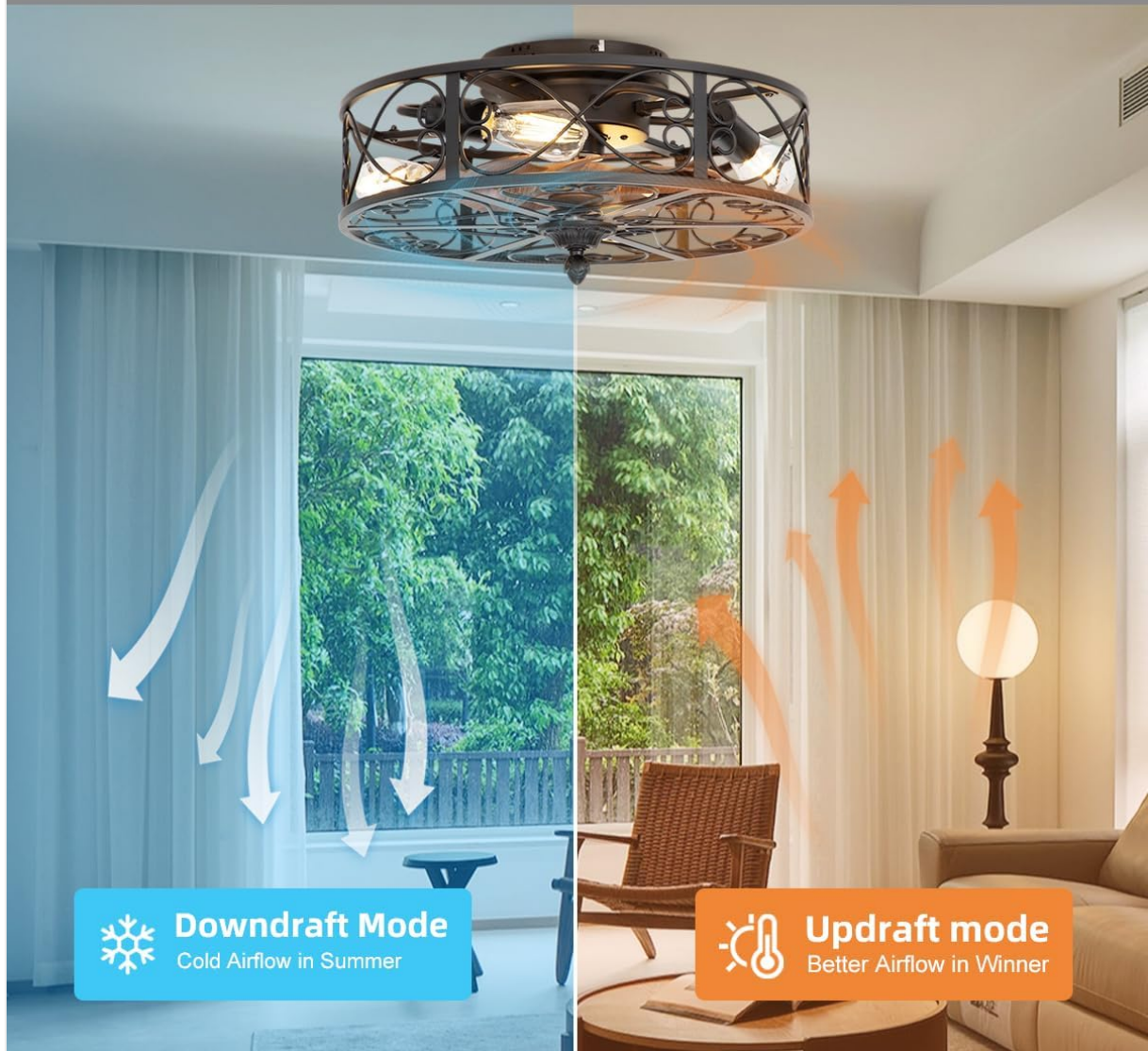


Image: Visual explanation of the reversible motor, showing downdraft mode for cold airflow in summer and updraft mode for better airflow in winter.



Image: Diagram illustrating the ultra-quiet DC motor, with noise levels below 30 decibels, compared to common environmental sounds.

MAINTENANCE

Regular maintenance ensures optimal performance and longevity of your ceiling fan.

- **Cleaning:** Dust the fan blades and housing periodically with a soft, damp cloth. Do not use abrasive cleaners or solvents. Ensure power is off before cleaning.
- **Light Bulb Replacement:** Turn off power before replacing light bulbs. Allow bulbs to cool completely. Use E26 base bulbs.
- **Tighten Fasteners:** Periodically check and tighten all screws and fasteners on the fan housing and mounting bracket.

TROUBLESHOOTING

Problem	Possible Cause	Solution
---------	----------------	----------

Fan does not start	No power supply; Loose wiring; Remote control issues.	Check circuit breaker/fuse. Ensure all wiring connections are secure. Replace remote batteries or re-pair remote if necessary.
Lights do not work	Burnt out bulbs; Loose wiring; Remote control issues.	Replace light bulbs. Check wiring connections. Ensure remote batteries are functional.
Fan makes excessive noise	Loose screws; Unbalanced blades; Motor issue.	Tighten all mounting screws. Ensure blades are securely attached. If noise persists, contact customer support.
Remote control not responding	Dead batteries; Remote out of range; Interference.	Replace remote batteries. Ensure you are within range. Minimize interference from other electronic devices.

WARRANTY AND SUPPORT

SHLUCÉ provides a **2-year warranty** for this product. We also offer a 30-day refund policy.

For any lost, defective, or missing parts (e.g., remote control), please contact SHLUCÉ customer support through your Amazon order details. We offer free spare parts support.

For further assistance, please visit the [SHLUCÉ Store on Amazon](#).