

[Manuals.plus](#) /

› [Homall](#) /

› Homall 75 Gallon Outdoor Storage Bench Instruction Manual

Homall HSB0431

Homall 75 Gallon Outdoor Storage Bench Instruction Manual

Model: HSB0431

PRODUCT OVERVIEW

The Homall 75 Gallon Outdoor Storage Bench (Model HSB0431) is designed for outdoor use, providing both seating and storage. It features a large capacity for various items and is constructed from durable, weather-resistant materials.

- **All-Weather Protection:** Constructed from UV-resistant PP plastic to withstand sunlight and rain, preventing fading, cracking, or rusting.
- **Security Lock System:** Includes built-in padlock holes for securing contents (padlock not included).
- **Dual Functionality:** Serves as both a bench for seating 2-3 people and a hidden storage unit.
- **Massive 75-Gallon Capacity:** Ideal for storing patio cushions, gardening tools, pool toys, and seasonal items.
- **Easy Assembly:** Designed for quick and straightforward installation.



Figure 1: The Homall 75 Gallon Outdoor Storage Bench in Grey, shown in a garden setting.

SAFETY INFORMATION

Please read and understand all safety warnings before assembly and use.

- **Weight Limit:** Do not exceed the weight limit of 2-3 people (approximately 300-450 lbs) on the bench to prevent tipping or damage.
- Ensure all parts are securely fastened before use.
- Keep children away from the product during assembly.
- Do not allow children to play inside the storage compartment to avoid entrapment.

ASSEMBLY INSTRUCTIONS

Assembly of the Homall Storage Bench is designed to be straightforward, typically taking less than 30 minutes. Most components click into place, with a few screws for added stability.

Required Tools:

- Screwdriver (Phillips head recommended)

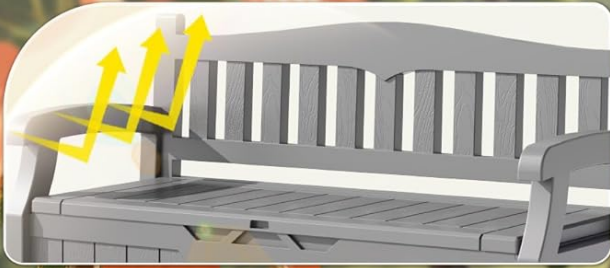
Step-by-Step Guide:

1. **Unpack Components:** Carefully remove all parts from the packaging and verify against the parts list in your included manual.
2. **Assemble Base:** Connect the base panels by aligning the interlocking tabs and pressing firmly until they click into place.
3. **Attach Side Panels:** Secure the side panels to the base, ensuring all tabs are properly aligned and engaged.
4. **Install Backrest:** Position the backrest onto the assembled base and side panels. The backrest typically clicks into place.
5. **Secure with Screws:** Insert and tighten the provided screws in the designated locations, typically four across the back and one under each side armrest, to reinforce the structure.
6. **Attach Lid:** Carefully align the lid with the hinges on the main body and secure it according to the instructions.

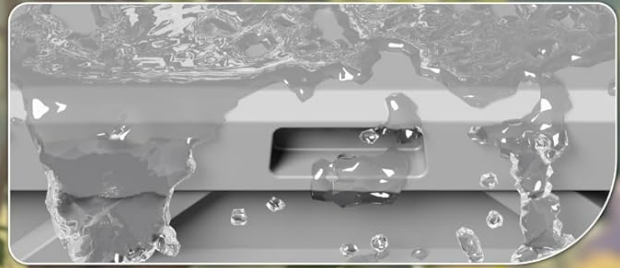


Figure 2: Product dimensions for the Homall 75 Gallon Outdoor Storage Bench.

ALL-WEATHER RESISTANT



UV PROTECTION



WATERPROOF



Figure 3: Illustration of the multi-functional aspects, including secure locking, iron reinforcement, ergonomic angle, and large storage space.

OPERATING INSTRUCTIONS

Using the Storage Compartment:

1. **Opening the Lid:** Lift the front edge of the bench seat to open the storage compartment. The lid is designed to open smoothly.
2. **Storing Items:** Place items such as patio cushions, gardening tools, or pool toys inside the spacious 75-gallon compartment.
3. **Closing the Lid:** Gently lower the lid until it rests securely on the bench frame.
4. **Locking (Optional):** For added security, insert a padlock (not included) through the designated holes on the front of the bench.

Using as a Bench:

- Ensure the lid is fully closed and securely latched before sitting.
- The bench is designed to comfortably seat 2-3 adults. Adhere to the stated weight limit.

75 Gallon

Max Weight Capacity: 400 lbs

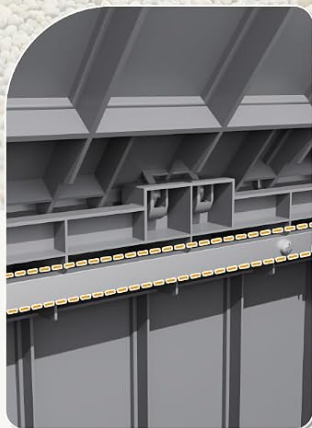


Figure 4: The large storage capacity of the bench, suitable for pillows, sheets, sport equipment, pool storage, and firewood.

MULTI FUNCTIONAL STORAGE SHED



SECURELY LOCKED »



IRON REINFORCEMENT »



ERGONOMIC ANGLE »



LARGE STORAGE SPACE »

Figure 5: The storage bench with its lid open, revealing the interior compartment, capable of holding various outdoor items.

MAINTENANCE

Regular maintenance will help prolong the life and appearance of your storage bench.

- **Cleaning:** Wipe the bench surfaces with a damp cloth and mild soap. Rinse thoroughly with water and dry with a clean cloth. Avoid abrasive cleaners or harsh chemicals.
- **Weather Protection:** Although the bench is UV-resistant and waterproof, consider covering it during extreme weather conditions or prolonged periods of non-use to further protect it.
- **Inspection:** Periodically check all connections and screws to ensure they remain tight. Tighten if necessary.

LARGE STORAGE CAPACITY



Pillows



Sheets



Sport Equipment



Pool Storage



Firewood



Figure 6: The bench highlighting its UV protection and waterproof features, demonstrating its all-weather resistance.

TROUBLESHOOTING

If you encounter any issues with your Homall Storage Bench, refer to the following common solutions:

- **Lid not closing properly:** Check for any obstructions in the storage compartment or along the hinge mechanism. Ensure the bench is on a level surface.
- **Bench feels unstable:** Verify that all assembly screws are tightened and that all interlocking panels are fully engaged. Ensure the bench is placed on a flat, stable surface.
- **Water inside storage compartment:** While the bench is waterproof, ensure the lid is fully closed and latched. Check for any damage to the material that might compromise its waterproof seal.

SPECIFICATIONS

Feature	Detail
Model Number	HSB0431
Product Dimensions (D x W x H)	22.6"D x 52.8"W x 16.9"H
Material	Resin (UV-resistant PP plastic)
Color	Grey
Capacity	75 Gallons
Item Weight	39.7 Pounds
Seating Capacity	3 people (approx. 300-450 lbs)
Assembly Required	Yes

WARRANTY AND SUPPORT

For warranty information or customer support, please refer to the contact details provided with your purchase or visit the official Homall website.

Manufacturer: Homall

