

[Manuals.plus](#) /

> [Xiaomi](#) /

> [Xiaomi Mijia MJGJX001QW Multifunction Screwdriver Tool Box User Manual](#)

Xiaomi MJGJX001QW

Xiaomi Mijia MJGJX001QW Multifunction Screwdriver Tool Box User Manual

Model: MJGJX001QW

1. INTRODUCTION

The Xiaomi Mijia MJGJX001QW Multifunction Screwdriver Tool Box is a portable and practical tool set designed for various home repairs and DIY tasks. This comprehensive kit provides essential tools for everyday needs, featuring a range of screwdriver bits, an integrated LED light for enhanced visibility, and ergonomically designed handles for comfortable use. Its compact and organized design ensures easy storage and portability, making it an efficient solution for your daily projects.

2. PRODUCT OVERVIEW AND COMPONENTS

The Xiaomi Mijia MJGJX001QW tool box includes a variety of high-quality tools, each designed for specific tasks. Familiarize yourself with the components before use.



Figure 2.1: The Xiaomi Mijia MJGJX001QW Tool Box with all included tools organized within its case.

Home improvement and repair, one box to get it done



Figure 2.2: Individual components of the tool set, including the electric screwdriver, hammer, wrench, pliers, tape measure, utility knife, and various bits and hex keys.

Included Components:

- **Electric Straight Screwdriver:** Features three variable torque options up to 4 Newton meters, equipped with LED lighting for improved visibility, and a built-in 2000 mAh battery with Type-C charging.
- **Bit Set:** Includes 4 pieces of 50mm long bits and 18 pieces of 25mm short bits, covering a wide range of sizes for various applications.
- **Claw Hammer:** Designed for nail pulling with a V-shaped claw. Comes with a protective rubber hammer cover and a hook for convenient hanging.
- **Adjustable Wrench:** Laser-cut from high-quality, heavy steel for durability. Opens to a 25mm width, providing a maximum torque of 230 Newton meters for diverse fastening tasks.
- **Multifunction Needle-Nose Pliers:** Engineered for precise gripping, cutting, and bending operations.
- **Self-Locking Tape Measure:** Extends up to 3 meters and features integrated level bubbles for accurate measurements.
- **SR-1022 Hex Key Set:** Includes eight different socket sizes with a 25-degree ball head for smooth operation in tight spaces, designed to prevent stripping.

- **Utility Knife:** Equipped with a rust-resistant blade divided into eight segments. Features a rear cover with an easy groove for breaking off worn segments.

3. SETUP

3.1 Initial Inspection

Upon receiving your tool box, carefully inspect all components for any signs of damage or missing parts. Ensure all tools are securely seated in their designated slots within the case.

3.2 Electric Screwdriver Battery Charging

The electric screwdriver comes with a built-in 2000 mAh battery. Before first use, or if the battery is low, charge the screwdriver using the provided Type-C charging cable. Connect the cable to the Type-C port on the screwdriver and to a compatible USB power source. The LED indicator will show charging status.

4. OPERATING INSTRUCTIONS

4.1 Electric Screwdriver

- **Bit Installation:** Select the appropriate bit from the bit set. Insert the bit firmly into the magnetic tip of the screwdriver.
- **Torque Adjustment:** The screwdriver offers three variable torque options up to 4 Nm. Adjust the torque setting based on the material and fastener type to prevent overtightening or stripping.
- **Operation:** Press the forward or reverse button to operate. The integrated LED light will illuminate the work area automatically, providing better visibility in dark or dimly lit spaces.
- **Extension Rod:** For hard-to-reach areas, attach the extension rod between the screwdriver and the bit. The universal flexible shaft allows for twisting in complex environments.

4N • m high torque handy

3-speed torque adjustment universal flexible shaft flexible control



Figure 4.1: Using the electric screwdriver with an extension rod for improved reach and visibility.

4.2 Claw Hammer

- **Nail Driving:** Use the flat face of the hammer for driving nails.
- **Nail Pulling:** Utilize the V-shaped claw for effortlessly pulling nails.
- **Surface Protection:** Attach the rubber hammer cover to the hammer head when working on delicate surfaces to prevent damage.
- **Storage:** The integrated hook allows for convenient hanging storage.

Seiko forged safe and durable



Figure 4.2: Features of the claw hammer, including the V-shaped claw for nail pulling and the protective rubber sleeve.

4.3 Adjustable Wrench

Adjust the jaw width by rotating the worm screw to fit the fastener size. Ensure a snug fit to prevent slipping and damage to the fastener. The wrench can open up to 25mm and provides a maximum torque of 230 Nm.

4.4 Multifunction Needle-Nose Pliers

- **Gripping:** Use the pointed jaws for gripping small objects or wires.
- **Cutting:** The integrated cutting edge allows for precise wire cutting.
- **Bending:** The pliers are suitable for bending wires and small metal components.
- **Force-Saving Spring:** The automatic rebound spring assists in easy operation and reduces hand fatigue during prolonged use.

One pliers multi-use easy operation

Automatic rebound of force-saving spring

Long time easy operation



1 Stripping groove 1 flexible operation, fast stripping

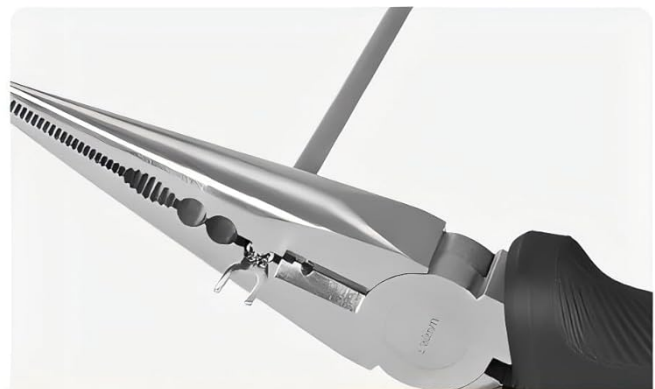


2 Clamping groove

Clamping nut, fastening does not fall off



3 The booster spring rebounds easily and saves effort in operation



4 crimping groove 1 crimping terminal, fast and powerful

Figure 4.3: Multifunction needle-nose pliers demonstrating stripping, clamping, and spring-assisted operation.

4.5 Self-Locking Tape Measure

- **Extension:** Pull the tape measure out to the desired length. It will self-lock in place.
- **Retraction:** Press the release button to retract the tape measure.
- **Leveling:** Use the integrated level bubbles for accurate horizontal and vertical alignment.
- **Measurement Methods:** For internal measurements, use the inside of the hook as the base of the zero scale. For external measurements, use the outside of the hook as the base of the zero scale; the hook's thickness is accounted for in the measurement.



Figure 4.4: The self-locking tape measure with integrated level and different measurement techniques.

4.6 SR-1022 Hex Key Set

Select the correct size hex key for your fastener. The 25-degree ball head allows for easier access and operation in confined spaces. Apply steady pressure and turn to tighten or loosen fasteners. These keys are designed to resist stripping.

4.7 Utility Knife

Extend the blade to the desired length for cutting. When the blade becomes dull, use the rear cover's groove to safely snap off the worn segment, revealing a fresh, sharp edge. Always retract the blade fully after use for safety.

5. MAINTENANCE

5.1 Cleaning

After each use, wipe down all tools with a clean, dry cloth to remove dirt, dust, and debris. For stubborn grime, a slightly damp cloth can be used, followed by immediate drying. Ensure no moisture remains on metal parts to prevent rust.

5.2 Storage

Store the tool box in a cool, dry place away from direct sunlight and extreme temperatures. Ensure all tools are placed back into their designated slots to maintain organization and prevent damage during transport. Keep out of reach of children.

5.3 Electric Screwdriver Battery Care

To prolong battery life, avoid fully discharging the electric screwdriver's battery frequently. Charge the battery regularly, even if the tool is not in use for extended periods (e.g., every 3-6 months). Use only the provided or compatible Type-C charging cables.

6. TROUBLESHOOTING

Problem	Possible Cause	Solution
Electric screwdriver not turning on.	Low battery.	Charge the screwdriver using the Type-C cable.
Screwdriver bit slipping.	Incorrect bit size or worn bit.	Ensure the correct bit size is used. Replace worn bits.
Screwdriver not providing enough torque.	Low battery or incorrect torque setting.	Charge the battery. Adjust the torque setting to a higher level if needed.
Tape measure not retracting smoothly.	Dirt or debris in the mechanism.	Gently clean the tape and housing. Avoid forcing retraction.
Utility knife blade feels dull.	Blade segment is worn.	Safely snap off the worn blade segment using the rear cover's groove.

7. SPECIFICATIONS

Feature	Detail
Model Number	MJGJX001QW
Brand	Xiaomi
Manufacturer	Xiaomi
Product Dimensions	24 x 23 x 7 cm
Item Weight	2.4 kilograms
Material	Alloy Steel
Color	Black
Number of Items	12 (set)
Electric Screwdriver Battery	1 x 12V (included), 2000 mAh, Type-C charging

Feature	Detail
Electric Screwdriver Torque	Up to 4 Newton meters (variable)
Adjustable Wrench Opening	Up to 25mm
Adjustable Wrench Torque	Max 230 Newton meters
Tape Measure Length	3 meters
Special Features	Magnetic tip (screwdriver), Integrated LED light, Level bubbles (tape measure), Ball head (hex keys)
Recommended Use	DIY Home Tool

8. WARRANTY AND SUPPORT

This product is covered by a standard manufacturer's warranty. For specific warranty terms, duration, and conditions, please refer to the warranty card included with your purchase or contact Xiaomi customer support directly. Keep your proof of purchase for warranty claims.

Customer Support:

For technical assistance, troubleshooting beyond this manual, or spare parts inquiries, please visit the official Xiaomi website or contact their customer service department. Contact information can typically be found on the product packaging or the official brand website.