

[Manuals.plus](#) /

> [HOMCOM](#) /

> HOMCOM 50-inch Electric Fireplace Instruction Manual (Model 820-422V82BK)

HOMCOM 820-422V82BK

HOMCOM 50-inch Electric Fireplace Instruction Manual (Model 820-422V82BK)

Model: 820-422V82BK | Brand: HOMCOM

INTRODUCTION

Thank you for choosing the HOMCOM 50-inch Electric Fireplace. This manual provides essential information for the safe and efficient operation, installation, and maintenance of your new electric fireplace. Please read all instructions carefully before use and retain this manual for future reference.



Figure 1: HOMCOM 50-inch Electric Fireplace and its remote control.

SAFETY INFORMATION

Always follow basic safety precautions when using electrical appliances to reduce the risk of fire, electric

shock, and injury to persons.

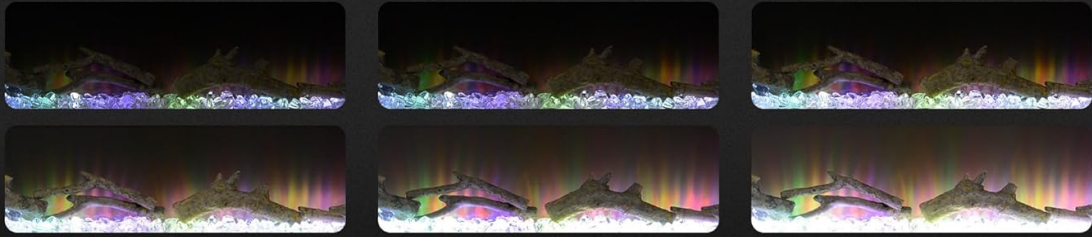
- Read all instructions before using this heater.
- This heater is hot when in use. To avoid burns, do not let bare skin touch hot surfaces.
- Extreme caution is necessary when any heater is used by or near children or invalids and whenever the heater is left operating and unattended.
- Do not operate any heater with a damaged cord or plug or after the heater malfunctions, has been dropped or damaged in any manner.
- Do not use outdoors.
- To disconnect the heater, turn controls to OFF, then remove the plug from the outlet.
- Do not insert or allow foreign objects to enter any ventilation or exhaust opening as this may cause an electric shock or fire, or damage the heater.
- To prevent a possible fire, do not block air intakes or exhaust in any manner.
- This heater has hot and arcing or sparking parts inside. Do not use it in areas where gasoline, paint, or flammable vapors or liquids are used or stored.
- Use this heater only as described in this manual. Any other use not recommended by the manufacturer may cause fire, electric shock, or injury to persons.
- Always plug heaters directly into a wall outlet/receptacle. Never use with an extension cord or relocatable power tap (outlet/power strip).

PRODUCT FEATURES

- **Realistic Ambiance:** Features faux-fire logs and crystals with six adjustable brightness levels and ten flame colors. Can be used with or without heat.
- **Efficient Heating:** 1500W electric heater covers 161-431 sq ft, with a temperature range of 41-99°F. Includes automatic on/off control based on ambient temperature and an 8-hour auto shut-off function.
- **Convenient Control:** Operated via remote control or on-unit touch controls. Clear LED display for settings monitoring.
- **Safe and Quiet:** Equipped with auto-shutoff for overheating protection. Operates quietly (lower than 55dB).

REALISTIC FLAME EFFECT

6 adjustable brightness



10 flame colors



Figure 2: Adjustable flame colors and brightness settings.

Coverage Area: 161-431 sq.ft

Noise: 55dB

Power: 1500W

Overheat Protection



Figure 3: Heating capabilities and safety features.

SETUP AND INSTALLATION

The HOMCOM Electric Fireplace can be installed as a recessed unit or wall-mounted.

Dimensions

Overall Dimensions: 50" W x 6.2" D x 17.7" H

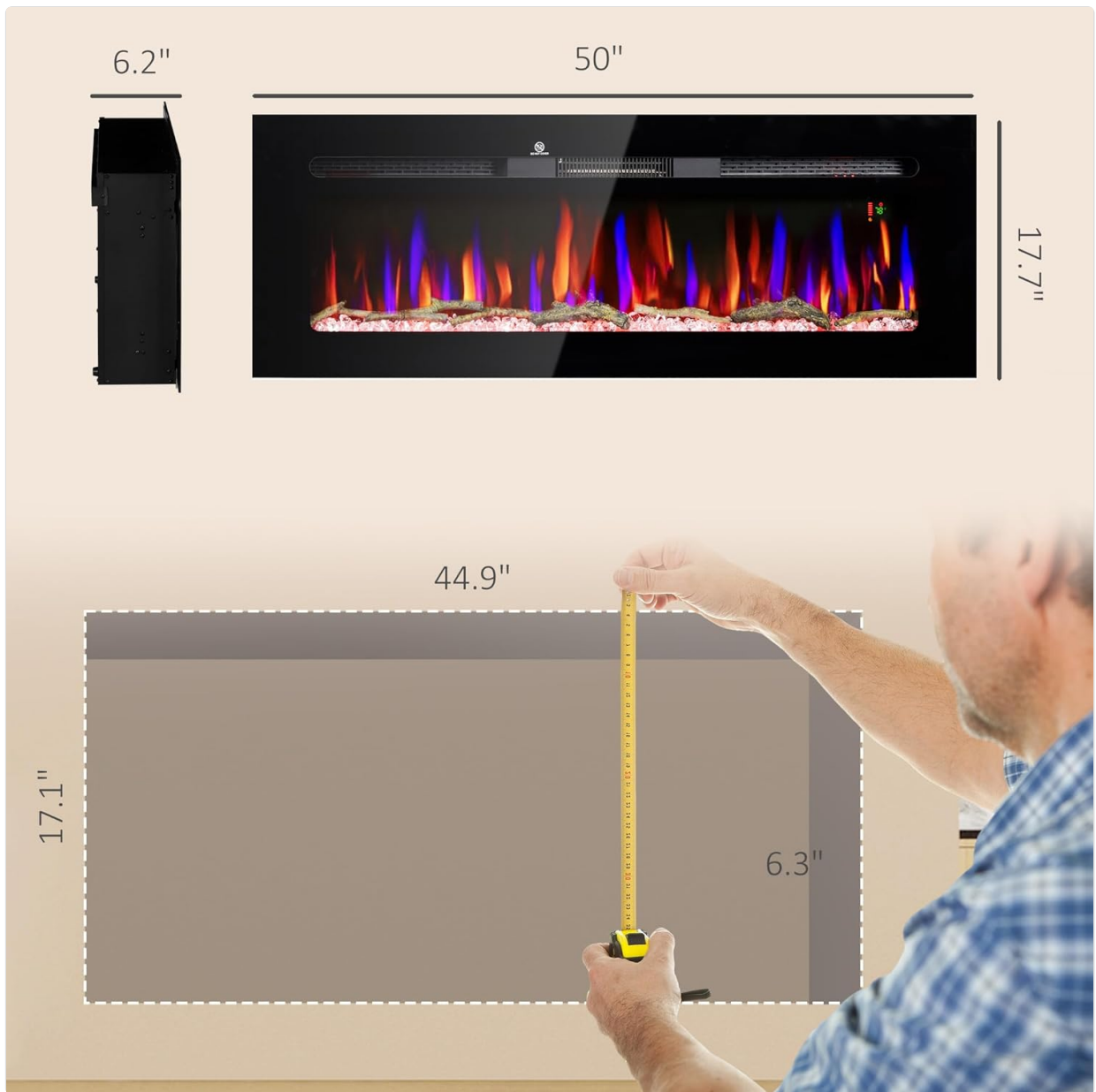
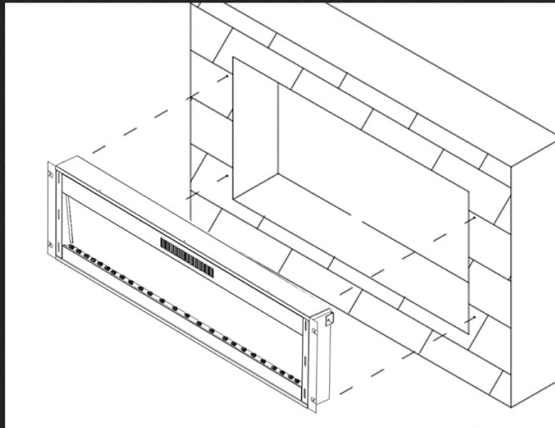


Figure 4: Product dimensions and recommended wall opening for recessed installation (44.9" W x 17.1" H x 6.3" D).

Installation Options

Choose between wall-mounted or recessed installation based on your preference and wall structure.

WALL MOUNTED AND INSERT



As a cabinet/
mantle frame insert

Wall mounted

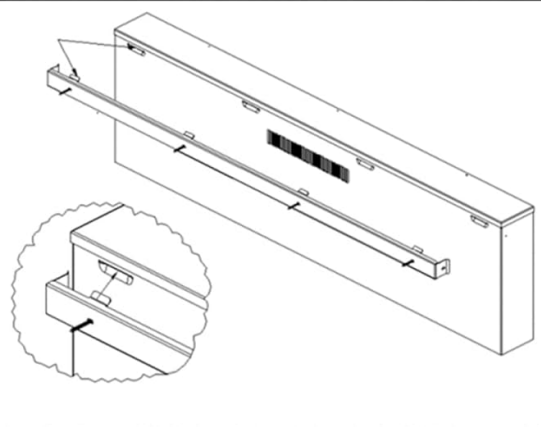


Figure 5: Wall-mounted and recessed installation diagrams.

For recessed installation, ensure the wall opening matches the recommended dimensions for proper fit and ventilation. For wall-mounted installation, securely fasten the mounting bracket to wall studs before hanging the fireplace.

The fireplace includes both a log set and crystal media for decorative purposes. Select your preferred media and place it in the designated area within the fireplace.



Figure 6: Faux log and crystal media options.

OPERATING INSTRUCTIONS

Your electric fireplace can be operated using the included remote control or the touch controls located on the unit.



Figure 7: Overview of panel and remote control functions.

Remote Control Functions

- **Power On/Off:** Turns the fireplace on or off.
- **Flame Color:** Cycles through 10 different flame color options.
- **Flame Brightness:** Adjusts the brightness of the flame effect (6 levels).
- **Heater Control:** Activates the heating function and adjusts temperature settings (41-99°F).
- **Timer:** Sets the auto shut-off timer for up to 8 hours.
- **Temperature Unit:** Switches between Celsius and Fahrenheit.

On-Unit Controls

The fireplace features a touch control panel for direct operation. These buttons mirror the primary functions of the remote control, allowing you to power on/off, adjust flame settings, and control heating.

Note: The LED display provides clear feedback on current settings, including temperature and timer status.

Heating Operation

The 1500W heater provides supplemental heat for rooms up to 431 sq ft. The unit features an automatic on/off control that maintains your desired room temperature. The 8-hour auto shut-off function enhances safety and energy efficiency.

Your browser does not support the video tag.

Video 1: Demonstration of the Home4me Electric Fireplace features, including flame color changes and heat settings. This video highlights the versatility and ease of use of the unit.

Your browser does not support the video tag.

Video 2: Overview of the Country Living Brand electric fireplace, showcasing its aesthetic appeal and functional controls. This video provides a visual guide to operating the fireplace.

MAINTENANCE

Regular maintenance ensures optimal performance and longevity of your electric fireplace.

- **Cleaning:** Ensure the unit is turned off and unplugged before cleaning. Use a soft, damp cloth to wipe surfaces. Do not use abrasive cleaners or sprays.
- **Air Vents:** Regularly check and clean the air vents to prevent dust buildup, which can impede heating efficiency and potentially cause overheating.
- **Storage:** If storing the fireplace for an extended period, ensure it is clean, dry, and stored in a safe, cool location.



Figure 8: Air outlet design for safe operation and heat distribution.

TROUBLESHOOTING

Problem	Possible Cause	Solution
Fireplace does not turn on.	No power, main power switch off, remote battery dead.	Check power outlet, ensure main power switch is on, replace remote battery.
No heat output.	Heater function not activated, temperature setting too low.	Activate heater function via remote/panel, increase temperature setting.
Flame effect not working.	Flame effect turned off, LED issue.	Ensure flame effect is on. If problem persists, contact customer support.
Unit overheats and shuts off.	Blocked air vents, internal malfunction.	Clear air vents. Allow unit to cool. If problem persists, contact customer support.

SPECIFICATIONS

Feature	Detail
Brand	HOMCOM
Model Name	Electric Fireplace (Model 820-422V82BK)
Product Dimensions	50" W x 6.2" D x 17.7" H
Material	Tempered Glass
Power Source	Corded Electric
Power Consumption	1500 Watts
Heat Output	5115 BTU per Hour
Heating Area	161-431 sq ft
Temperature Range	41-99°F
Noise Level	Lower than 55dB
Special Features	Adjustable Flame, Adjustable Thermostat, Overheat Protection, Timer
Installation Type	Wall Mount, Recessed
Included Components	LED Display, Remote Control, Timer
Item Weight	42 Pounds
Batteries Required	1 CR2 battery (for remote)

WARRANTY AND SUPPORT

This HOMCOM Electric Fireplace comes with a Limited Warranty. For specific details regarding warranty coverage, please refer to the warranty card included with your product or contact HOMCOM customer support.

For technical assistance, troubleshooting not covered in this manual, or to inquire about replacement parts,

please contact HOMCOM customer support. Contact information can typically be found on the manufacturer's website or on your purchase receipt.

Customer Support: [Amazon Customer Support](#) (for purchase related inquiries)