

Manuals+

[Q & A](#) | [Deep Search](#) | [Upload](#)

Manuals.plus /

› [TODI](#) /

› TODI MS02 Adjustable Desk Microphone Arm User Manual

TODI TDMS02BKUS

TODI MS02 Adjustable Desk Microphone Arm User Manual

Brand: TODI | Model: TDMS02BKUS

1. INTRODUCTION AND OVERVIEW

The TODI MS02 Adjustable Desk Microphone Arm is designed to provide a stable, flexible, and space-saving solution for mounting lightweight microphones. Ideal for gaming, podcasting, recording, and streaming, this microphone arm features an all-metal body with strengthened screws for enhanced stability. Its low-profile design allows for placement behind your computer screen, offering an unobstructed view, while integrated cable management keeps your setup tidy. With multiple adjustment points and universal thread compatibility, the MS02 adapts to various user needs and microphone types.

2. PRODUCT FEATURES

- **Stable & Sturdy Design:** Integrated all-metal body and strengthened screws ensure stability for lightweight microphones up to 3 lbs, preventing shaking during use.
- **Low & High Profile Versatility:** Features a design that extends up to 29 inches, allowing for low-profile placement behind monitors for an unobstructed view or use as a high-angle mic arm.
- **Space-Saving:** Compact design is smaller than many alternatives, folding away unobtrusively to maximize desk space.
- **DIY Customized Adjustment:** Multiple adjustable angles with a 360° base hinge. Includes a hex wrench for precise tension adjustments at the joints, allowing for personalized positioning.
- **Integrated Cable Management:** Equipped with cable channels to neatly organize microphone cables, reducing clutter and preventing accidental pulling.
- **Universal Thread Compatibility:** Comes with 3/8" and 5/8" mount threads, fitting most microphones on the market. *Note: Not compatible with minority mics with 1/4" thread such as Blue Yeti ORB, Yeti X, Shure MV7i, Shure Beta58A.*

3. SETUP AND INSTALLATION

1. **Unboxing and Components:** Carefully remove all components from the packaging. You should find the pre-assembled microphone arm, a desk mount clamp, and a hex wrench for adjustments.
2. **Attaching the Desk Clamp:**
 - Loosen the screw on the desk clamp until it opens wide enough to fit your desk.
 - Position the clamp on the edge of your desk. Ensure the soft pads on the clamp make contact with your desk surface to prevent scratches.
 - Tighten the screw firmly until the clamp is securely attached to the desk. The maximum compatible desk thickness is 2.36 inches.
3. **Mounting the Microphone Arm:** Insert the base of the microphone arm into the hole on the desk clamp. The arm's base allows for 360° rotation.
4. **Adjusting Joint Tension:** The arm's joints may be pre-set. Use the included hex wrench to adjust the tension of the screws at each joint. Tighten for a firmer hold or loosen for easier movement, depending on your preference and microphone weight.
5. **Attaching Your Microphone:**
 - The arm comes with both 3/8" and 5/8" mount threads. Select the appropriate thread for your microphone.
 - Screw your microphone (or its shock mount/clip) onto the thread at the end of the arm.
6. **Cable Management:** Route your microphone cable through the integrated cable channels along the arm. This keeps the cable neat and prevents it from interfering with arm movement or desk space.

Two Interfaces

With up down & left right adjustment

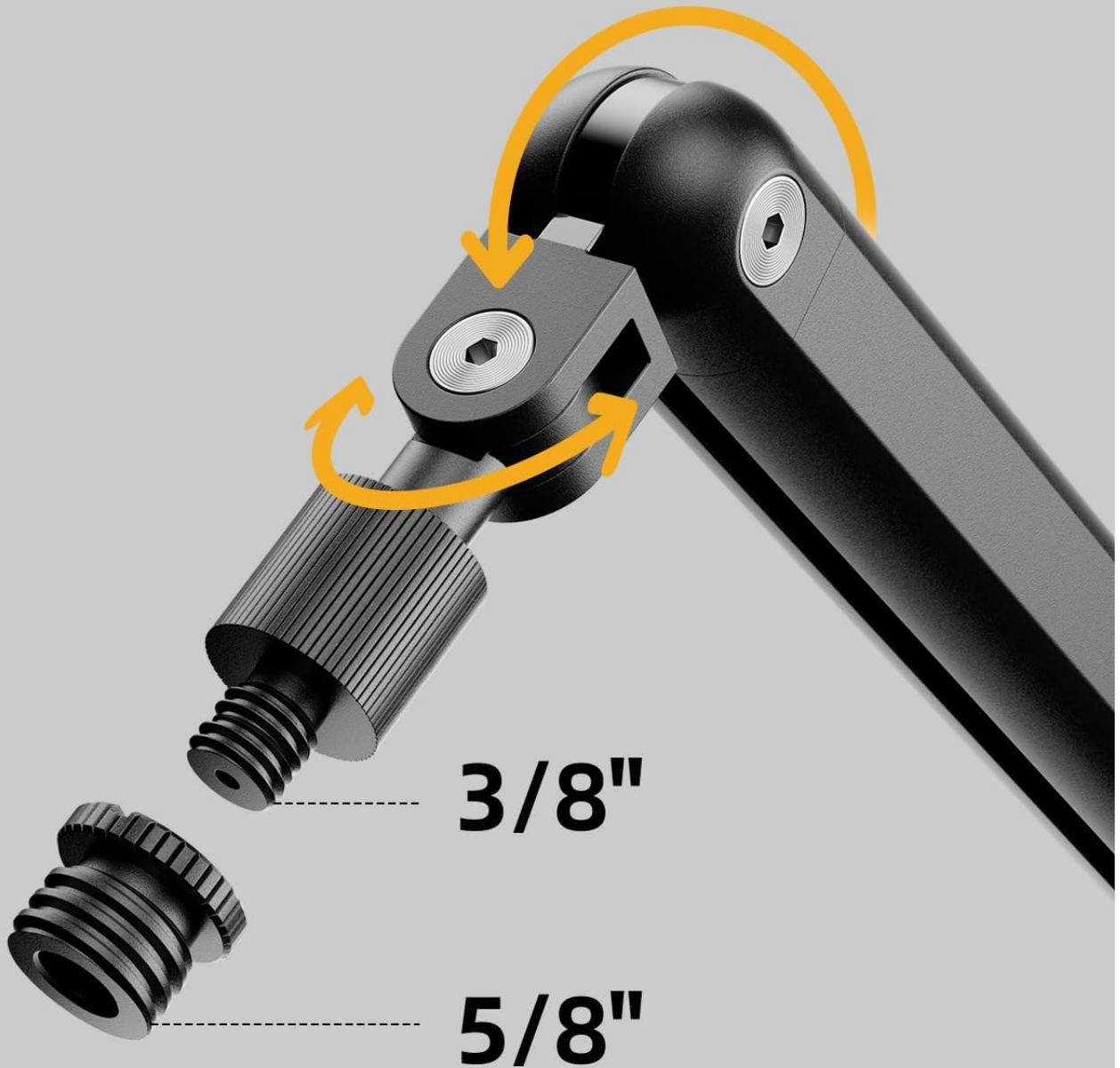


Image: Securely attaching the desk clamp to a table surface.



Image: Overview of the all-metal construction and key dimensions for installation.

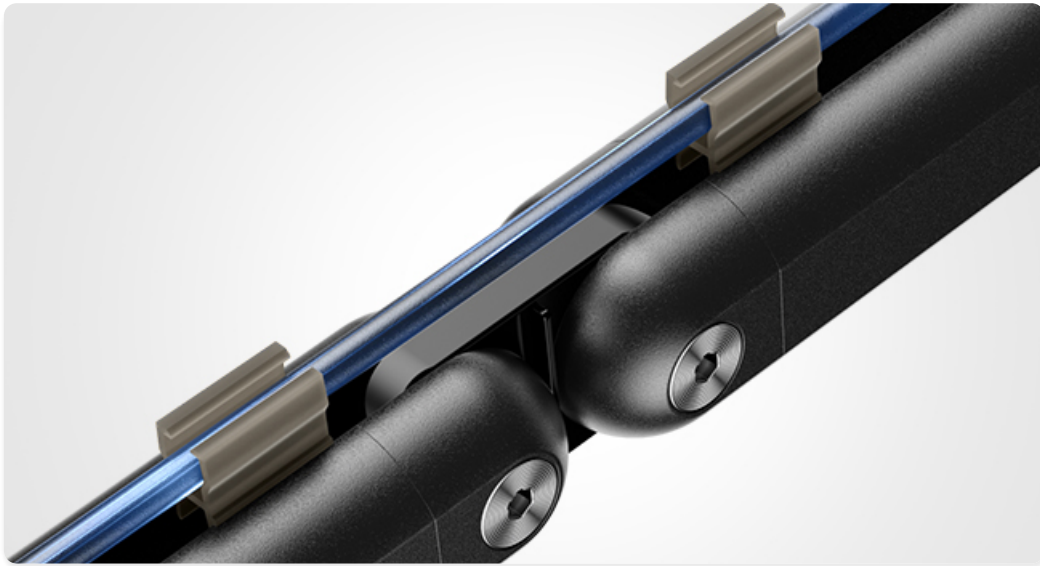


Image: Close-up of the robust desk clamp with protective pads.

4. OPERATING INSTRUCTIONS

1. **Adjusting Position:** The microphone arm features multiple joints that allow for extensive movement. Gently move the arm to your desired height and angle. The 360° rotatable base provides full flexibility.
2. **Fine-Tuning Angle:** Use the hex wrench to adjust the tension at the joints if the arm feels too loose or too stiff. This ensures the arm holds your microphone securely in place.
3. **Low-Profile Usage:** For an unobstructed view, position the arm to extend from behind your monitor. The slim design allows it to remain discreet.
4. **Folding and Storage:** When not in use, the arm can be folded compactly against the desk or wall, saving valuable workspace.

DIY Adjust

High angle, freely adjust



Image: Demonstrates the multi-angle adjustment capabilities of the microphone arm.

Cable Channel

Manage cables neatly with 6 channels



Space Saving

Foldable and easy to store

Image: Shows the microphone arm in a low-profile position, extending from behind a monitor.



Image: Illustrates easy single-hand adjustment and movement of the microphone arm.

5. MAINTENANCE

- **Regular Tightening:** Periodically check the screws at the arm's joints. If you notice any looseness or sagging, use the provided hex wrench to tighten them to maintain optimal stability.
- **Cleaning:** Wipe the microphone arm with a soft, dry cloth to remove dust and debris. Avoid using harsh chemicals or abrasive cleaners, as they may damage the finish.
- **Inspection:** Regularly inspect the desk clamp and arm joints for any signs of wear or damage. Ensure the protective pads on the clamp are intact to prevent desk scratches.

6. TROUBLESHOOTING

- **Arm not holding position:** If the microphone arm sags or does not hold its position, use the included hex wrench to tighten the screws at the joints. Adjust tension until the arm holds securely.
- **Microphone compatibility issues:** Ensure your microphone has either a 3/8" or 5/8" thread. This arm is not compatible with microphones that use a 1/4" thread (e.g., Blue Yeti ORB, Yeti X, Shure MV7i, Shure Beta58A).
- **Desk clamp instability or damage:** Verify that your desk thickness is within the maximum supported 2.36 inches. Ensure the clamp is fully tightened and the protective soft pads are correctly positioned to prevent damage to your desk.

7. SPECIFICATIONS

Feature	Detail
Brand	TODI

Feature	Detail
Model Number	TDMS02BKUS
Material	Metal Alloy
Item Weight	1.72 Pounds
Maximum Weight Recommendation	3 Pounds
Maximum Height (Extension)	29 Inches
Mount Thread Size	3/8" & 5/8" Inches
Max Desk Thickness for Clamp	2.36 Inches

8. WARRANTY AND SUPPORT

The TODI MS02 Adjustable Desk Microphone Arm comes with a **Lifetime Warranty**, ensuring long-term reliability and customer satisfaction.

For further support, product information, or to explore other TODI products, please visit the [TODI Store on Amazon](#).