



[Manuals.plus](#) /

> [HOOBRO](#) /

> HOOBRO BB21DBJ01 3-Tier Floating Shelf with LED Lights Instruction Manual

## HOOBRO BB21DBJ01

# HOOBRO BB21DBJ01 3-Tier Floating Shelf with LED Lights Instruction Manual

Model: BB21DBJ01

## INTRODUCTION

---

This manual provides detailed instructions for the assembly, installation, operation, and maintenance of your HOOBRO BB21DBJ01 3-Tier Floating Shelf with LED Lights. Please read all instructions carefully before beginning assembly and retain this manual for future reference.

## SAFETY INFORMATION

---

- Do not exceed the weight limit of **12.7 pounds (5.7 kg) per shelf**. Overloading can cause the shelf to detach from the wall, resulting in injury or damage.
- Follow all provided installation instructions for safe and secure wall mounting. Improper installation can lead to instability.
- Ensure the shelf is mounted to a solid wall or into wall studs for maximum stability. Avoid mounting into drywall alone without appropriate anchors.
- Keep small parts and packaging materials away from children to prevent choking hazards.

## PACKAGE CONTENTS

---

Verify that all components are present before beginning assembly. If any parts are missing or damaged, please contact customer service.

# Easy to Assemble

With a detailed guide, saving time and effort.

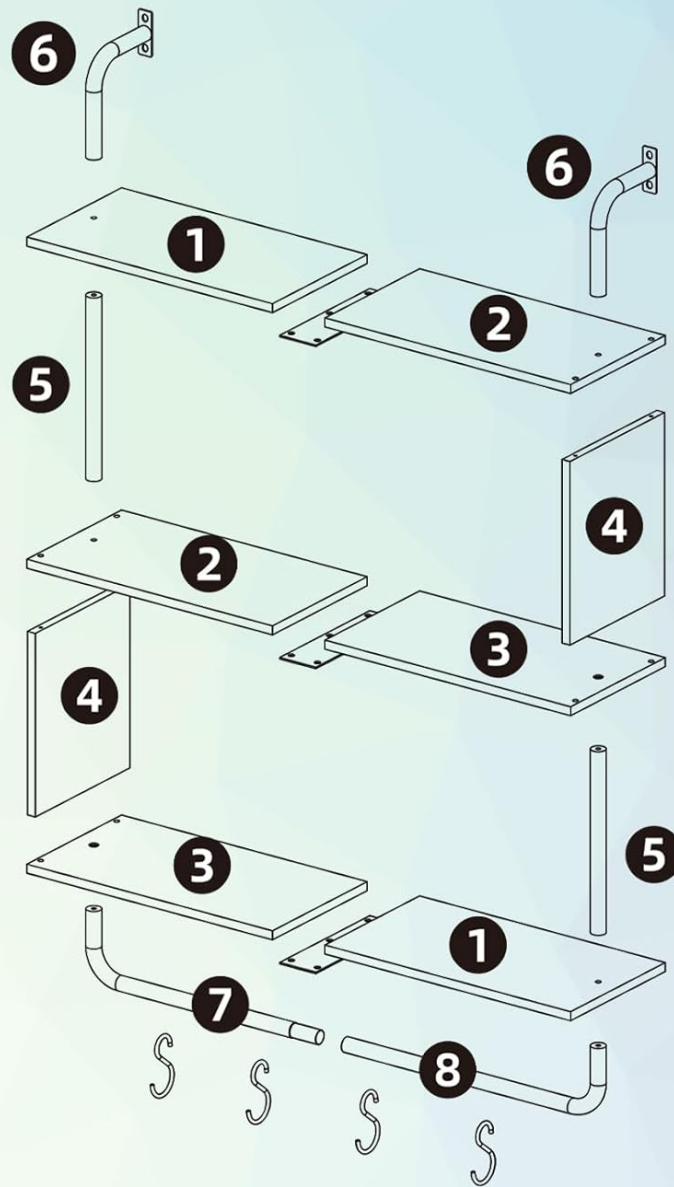


Figure 1: Exploded view of shelf components.

Part No.	Description	Quantity
1	Top/Bottom Shelf Panel	2
2	Middle Shelf Panel (Left)	1
3	Middle Shelf Panel (Right)	1
4	Side Panel	2
5	Vertical Pipe Support	2
6	Wall Mount Bracket	2
7	Hanging Rod	1
8	S-Hooks	4

Part No.	Description	Quantity
	LED Light Strip with Remote	1 Set
	Assembly Hardware (Screws, Anchors, Allen Key)	1 Set

## SETUP AND ASSEMBLY

---

Assembly is straightforward with the provided instructions and hardware. A detailed guide is included to save time and effort.

- Unpack Components:** Carefully remove all parts from the packaging and lay them out on a clean, soft surface to prevent scratches.
- Assemble Shelf Panels:** Connect the top, middle, and bottom shelf panels using the designated screws and the vertical pipe supports. Ensure all connections are secure.
- Attach Side Panels:** Secure the side panels to the assembled shelves.
- Install Hanging Rod:** Attach the hanging rod to the bottom of the lowest shelf.
- Prepare for Wall Mounting:** Attach the wall mount brackets to the top of the shelf unit.
- LED Light Strip Installation:** Affix the LED light strip to the underside of the shelves as desired. Ensure the USB cable is accessible for power.



Figure 2: Fully assembled shelf unit.

## INSTALLATION

Proper wall mounting is crucial for the stability and safety of your floating shelf. This shelf is designed for wall mounting.

1. **Choose Location:** Select a suitable location on a solid wall. For optimal security, use a stud finder to locate wall studs and aim to mount the shelf directly into them.
2. **Mark Drilling Points:** Hold the assembled shelf against the wall at the desired height and use a pencil to mark the drilling points through the wall mount brackets.
3. **Drill Pilot Holes:** Drill pilot holes at the marked locations. If mounting into drywall without studs, use appropriate wall anchors (consider purchasing higher quality anchors if the included ones seem insufficient).
4. **Secure to Wall:** Align the shelf's wall mount brackets with the drilled holes and secure the shelf to the wall using the provided screws. Ensure all screws are tightened firmly.
5. **Attach S-Hooks:** Place the S-hooks onto the hanging rod.

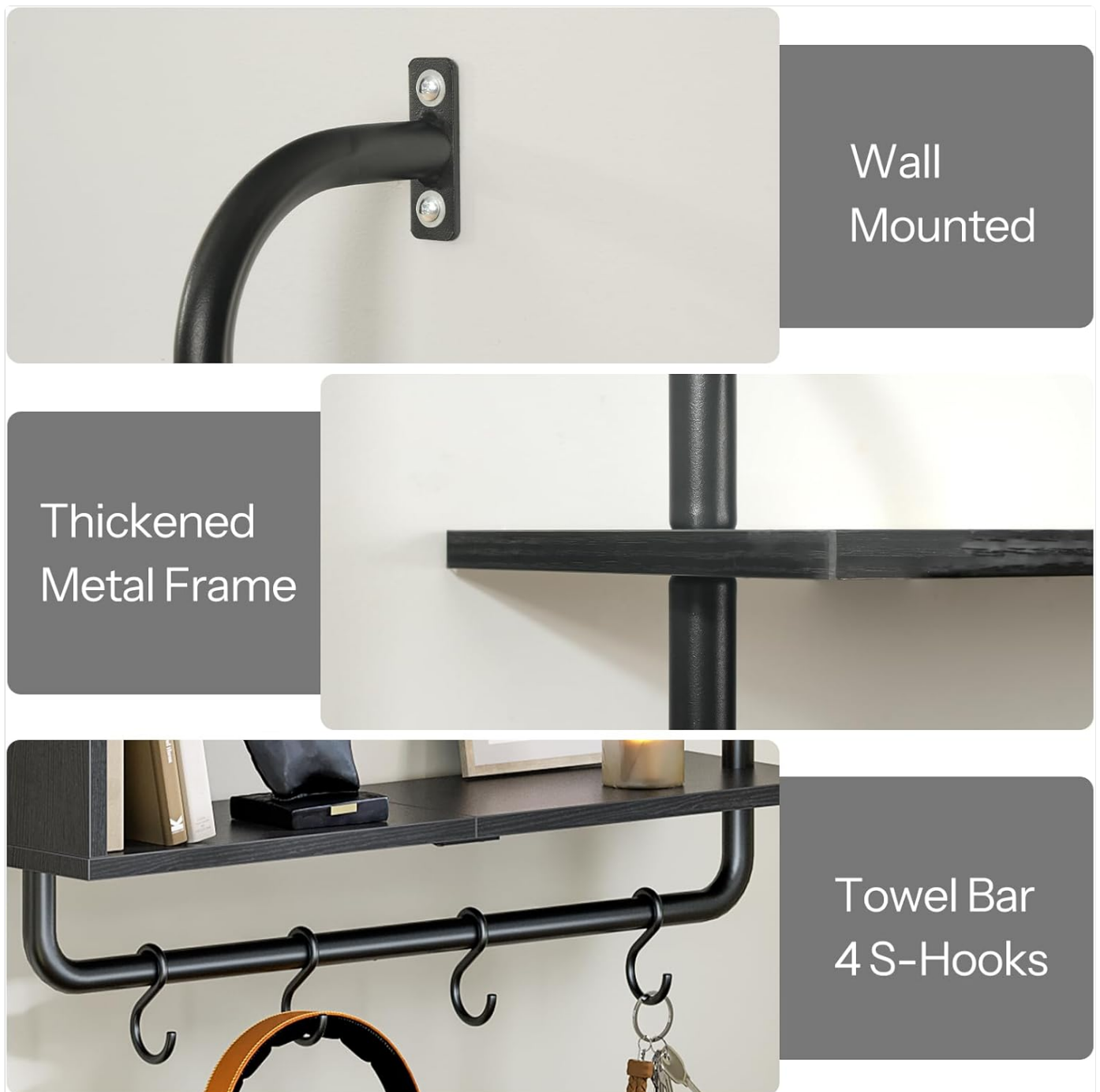


Figure 3: Details of wall mounting and hanging rod.

## OPERATING INSTRUCTIONS (LED LIGHTS)

---

The integrated LED lights offer customizable ambiance for your space.

1. **Power Connection:** Connect the USB cable of the LED light strip to a compatible USB power source (e.g., wall adapter, power bank, computer USB port).
2. **Remote Control:** Use the included remote control to operate the LED lights.
3. **Color Selection:** Choose from **16 available colors** to match your mood or decor.
4. **Mode Selection:** Select from **4 dynamic modes** (e.g., flash, strobe, fade, smooth) for various lighting effects.
5. **Brightness Adjustment:** Adjust the light intensity with **5 brightness levels**.



Figure 4: Shelf with LED lights in a gaming environment.

Your browser does not support the video tag.

Video 1: Overview of the HOOBRO Floating Shelf with LED Lights, showcasing its features and design.

Your browser does not support the video tag.

Video 2: Demonstration of the HOOBRO Floating Wall Shelves with LED lights in various settings.

## MAINTENANCE

---

To keep your floating shelf looking its best, follow these simple maintenance guidelines:

- **Cleaning:** The smooth panel surfaces can be easily wiped clean with a soft, damp cloth. Avoid abrasive cleaners or harsh chemicals that may damage the finish.
- **Dusting:** Regularly dust the shelves and metal frame with a dry, soft cloth.
- **Check Connections:** Periodically check all screws and wall mounts to ensure they remain tight and secure.

## TROUBLESHOOTING

---

If you encounter any issues with your HOOBRO floating shelf, refer to the following common solutions:

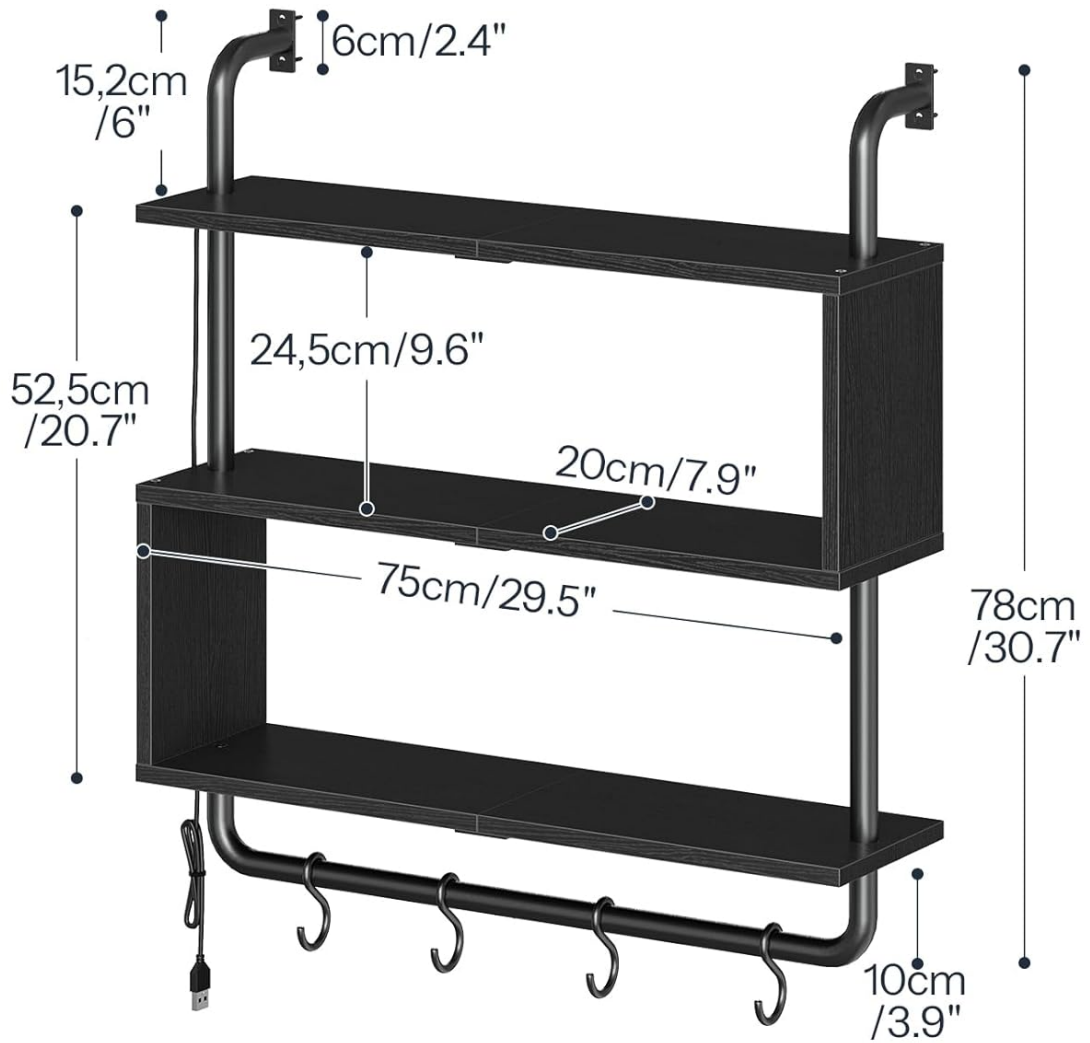
- **Shelf Instability:** Ensure all assembly screws are tightened. Verify that the wall mounting is secure and, if possible, mounted into wall studs. Re-check wall anchors if not mounted into studs.
- **LED Lights Not Working:** Check if the USB power source is connected and functioning. Ensure the remote control battery is not depleted. Verify that the LED strip connections are secure.
- **Missing Parts:** If any parts were missing upon arrival, please contact HOOBRO customer service for assistance.

## SPECIFICATIONS

---

Feature	Detail
Model Number	BB21DBJ01
Material	Engineered Wood, Metal
Color	Black
Overall Dimensions (L x W x H)	29.5" x 7.9" x 30.7" (75cm x 20cm x 78cm)
Shelf Depth	7.8" (20cm)
Shelf Thickness	0.5 Inches
Number of Shelves	3
Weight Capacity (per shelf)	12.7 lbs (5.7 kg)
LED Lights	16 Colors, 4 Modes, 5 Brightness Levels
Mounting Type	Wall Mount

# PRODUCT SIZE



Colorful LED  
Ambient Light Strip

Figure 5: Detailed product dimensions.

## WARRANTY AND SUPPORT

For warranty information, product support, or to report missing/damaged parts, please contact HOOBRO customer service directly. Refer to your purchase documentation or the HOOBRO official website for contact details.