

[Manuals.plus](#) /

› [PURPLE LEAF](#) /

› PURPLE LEAF 14' x 24' Louvered Pergola with Fixed Shutter Wall Instruction Manual

PURPLE LEAF 14' x 24' Louvered Pergola

PURPLE LEAF 14' x 24' Louvered Pergola with Fixed Shutter Wall Instruction Manual

Model: 14' x 24' Louvered Pergola

INTRODUCTION

Thank you for choosing the PURPLE LEAF 14' x 24' Louvered Pergola. This manual provides essential information for the safe assembly, operation, and maintenance of your new outdoor structure. Please read all instructions carefully before beginning assembly and retain this manual for future reference.

This pergola features an aluminum alloy frame, an adjustable louvered roof, and fixed louvered walls on one short side. It is designed to provide a versatile outdoor living space with excellent sun protection and a hidden drainage system.

SAFETY INFORMATION

WARNING: Failure to follow these safety instructions may result in serious injury or property damage.

- Ensure all components are securely fastened before use. Regularly check for loose bolts or connections.
- Do not climb on the pergola structure.
- In strong winds or heavy snow, it is recommended to open the louvers to prevent damage to the structure.
- The louvered walls are fixed and cannot be closed. Do not attempt to adjust them.
- This pergola must be bolted to the ground or concrete for stability. Failure to do so may result in the structure overturning.
- Keep children and pets away from the assembly area during installation.
- Use appropriate safety gear (gloves, eye protection) during assembly.

PACKAGE CONTENTS

Verify that all parts are present and undamaged before beginning assembly. Refer to the detailed parts list

provided in your separate assembly guide for specific component identification.

- Aluminum Frame Components (beams, columns)
- Adjustable Louver Blades
- Fixed Shutter Wall Panels
- Drainage System Components
- Hardware Kit (bolts, screws, washers, caps)
- Tools for Assembly (wrenches, hex keys - may be included or required separately)



Image: The PURPLE LEAF Louvered Pergola installed in an outdoor patio area, showcasing its design and functionality.

SETUP INSTRUCTIONS

Detailed assembly steps are provided in the separate assembly manual. The following outlines key considerations for setup:

1. **Site Preparation:** Choose a level and stable surface for installation. Ensure adequate clearance around the pergola for assembly and future use.
2. **Foundation:** The pergola must be securely bolted to a concrete slab or other suitable ground foundation. Use appropriate anchors (not included) for your specific surface.
3. **Frame Assembly:** Assemble the main aluminum frame according to the provided diagrams. Ensure all connections are tight and stable.
4. **Louvered Roof Installation:** Install the adjustable louver blades into the roof frame. Follow the sequence specified in the assembly guide to ensure proper alignment and function.

5. **Fixed Shutter Wall Installation:** Attach the fixed louvered walls to the designated short beam side. These walls are designed for privacy and sun protection and are not adjustable.
6. **Drainage System:** Connect the internal drainage components to ensure rainwater is channeled through the columns to the ground.

Independently Mounted Louvered Walls

Can be installed on any side of the pergola



1 wide side

1 long side

1 long & wide side

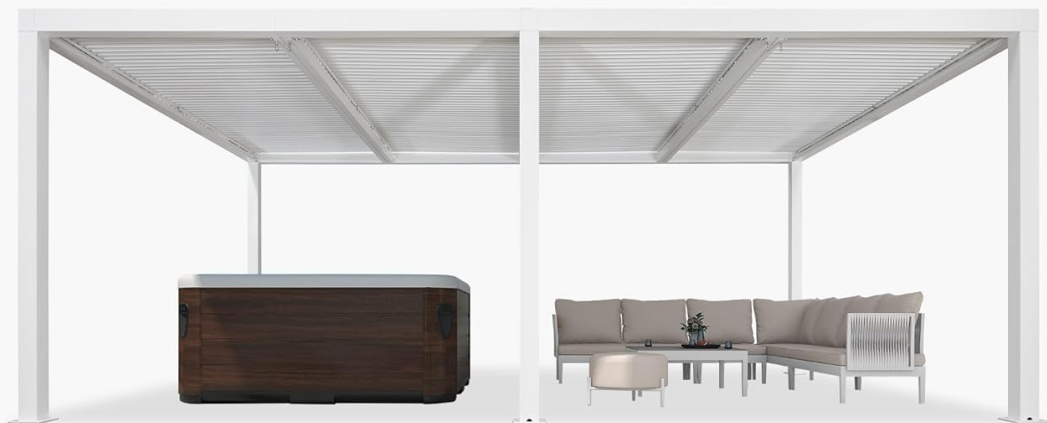


Image: This diagram illustrates various configurations for mounting the louvered walls, including one wide side, one long side, or both long and wide sides. Note that for this model, the louvered walls are fixed on one short side.

Dimensions

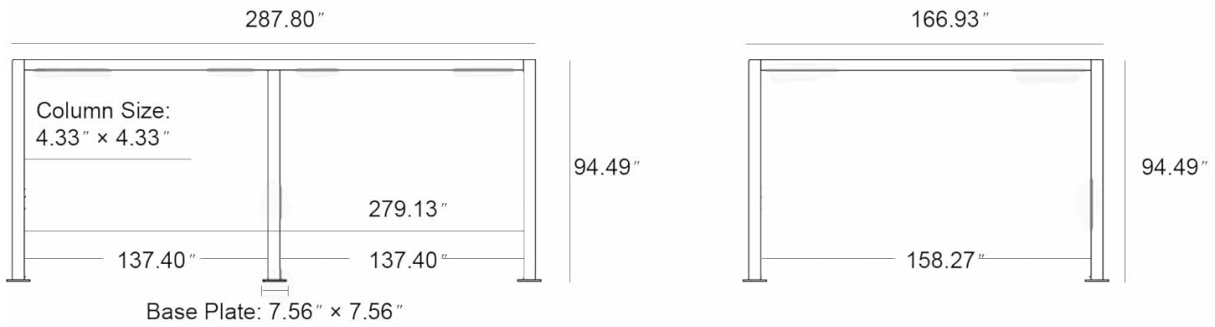


Image: A technical drawing detailing the dimensions of the pergola, including length, width, height, column size, and base plate measurements.

OPERATING INSTRUCTIONS

The PURPLE LEAF Louvered Pergola is designed for ease of use and adaptability to various weather conditions.

Adjusting the Louvered Roof

The louvered roof features a 0° - 90° rotation function, allowing you to control sunlight and ventilation. Use the integrated mechanism (typically a crank handle or lever) to rotate the louvers to your desired position:

- **Fully Open (90°):** Allows maximum sunlight and airflow. Ideal for sunbathing or clear skies.
- **Partially Open:** Provides filtered shade and ventilation.
- **Fully Closed (0°):** Offers complete shade and protection from light rain, directing water to the hidden drainage system.

Important: Do not force the louvers if they encounter resistance. Ensure no obstructions are present during adjustment.

Your browser does not support the video tag.

Video: This video demonstrates the easy adjustment of the pergola's louvers, showcasing how to open and close them to control sunlight and shade.

Fixed Shutter Wall

This model includes fixed louvered walls on one short side. These walls provide permanent privacy and additional sun protection. They are designed to remain at a fixed angle and cannot be adjusted or closed.

Your browser does not support the video tag.

Video: This video highlights the louvered pergola with its wall-protecting privacy features, demonstrating the aesthetic and functional benefits of the fixed shutter walls.

Hidden Drainage System

The integrated drainage system is designed to channel rainwater away from the roof. When the louvers are closed, water flows into the internal gutters and down through the hollow columns to the ground. Ensure the ground around the columns allows for proper water runoff.



Image: A detailed diagram showcasing the pergola's unique hidden drainage system, which diverts water from the roof through the columns to prevent accumulation.

MAINTENANCE

Regular maintenance will extend the life and appearance of your pergola.

- **Cleaning:** Clean the aluminum frame and louver blades with mild soap and water. Avoid abrasive cleaners or harsh chemicals that could damage the finish. Rinse thoroughly with clean water.
- **Inspection:** Periodically inspect all bolts and connections to ensure they remain tight. Tighten any loose hardware.
- **Drainage System:** Ensure the drainage channels within the roof and columns are free from debris (leaves, dirt) to prevent water buildup.
- **Winter Care:** In areas with heavy snowfall, it is recommended to keep the louvers open to prevent snow accumulation on the roof, which could cause structural damage.

TROUBLESHOOTING

Problem	Possible Cause	Solution
Louvers not adjusting smoothly	Obstruction in mechanism; debris in tracks; loose connections.	Check for obstructions and remove. Clean tracks. Inspect and tighten all relevant hardware.
Water pooling on roof when closed	Drainage channels blocked; louvers not fully closed.	Clear any debris from drainage channels. Ensure louvers are fully rotated to the closed position.
Pergola feels unstable	Anchors not secured; loose frame connections.	Verify that the pergola is properly anchored to the ground. Inspect and tighten all frame bolts.

PRODUCT SPECIFICATIONS

Feature	Detail
Brand	PURPLE LEAF
Model	14' x 24' Louvered Pergola
Dimensions (L x W x H)	291.02" x 170.16" x 94.5"
Material	Aluminum
Color	White Shutter Wall (1W)
Roof Type	Adjustable Louvered Hardtop (0° - 90° rotation)
Wall Type	Fixed Louvered Wall (1 short side)
Water Resistance Level	Water Resistant
UV Protection	50
Assembly Required	Yes
Floor Area	336 Square Feet

WARRANTY AND SUPPORT

For warranty information, please refer to the documentation included with your purchase or contact PURPLE LEAF customer service. Keep your proof of purchase for any warranty claims.

If you require assistance with assembly, parts, or have any questions regarding your PURPLE LEAF Louvered Pergola, please contact our customer support team. Contact details can typically be found on the product packaging or the official PURPLE LEAF website.