



[Manuals.plus](#) /

> [LEDKINGDOMUS](#) /

> LEDKINGDOMUS Hard Trifold Tonneau Cover for Toyota Tacoma (2016-2023, 5ft Bed) Instruction Manual

LEDKINGDOMUS MAMUS7ncyL

LEDKINGDOMUS Hard Trifold Tonneau Cover for Toyota Tacoma (2016-2023, 5ft Bed)

Model: MAMUS7ncyL | Brand: LEDKINGDOMUS

1. INTRODUCTION

This manual provides comprehensive instructions for the installation, operation, and maintenance of your LEDKINGDOMUS Hard Trifold Tonneau Cover. Designed for specific Toyota Tacoma models, this cover offers enhanced cargo protection and a streamlined appearance for your truck bed. Please read these instructions thoroughly before beginning installation to ensure proper fitment and function.

2. PRODUCT FEATURES

- **Precise Fit:** Meticulously tailored for Toyota Tacoma 2016-2023 models with a 5-foot bed and track rail system (excluding Trail models), ensuring seamless integration.
- **Reliable Protection:** Shields cargo from environmental elements such as rain, snow, and dust. Enhances security by deterring theft when used in conjunction with a locked tailgate.
- **Durable Construction:** Manufactured from Fiberglass Reinforced Polymer (FRP) for outstanding durability and water resistance. Features a Polypropylene honeycomb core, providing a load capacity of up to 400 pounds.
- **Easy Installation:** Includes a complete set of hardware for straightforward, non-destructive mounting without vehicle modification. Reinforced clamp design contributes to driving safety by resisting impact.
- **Stylish Design:** Presents a smooth, modern profile that complements the truck's aesthetics while providing cargo protection.

ALL-WEATHER CARGO PROTECTION



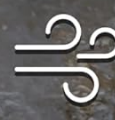
Rain



Hail



Ice



Wind



Sun



Figure 2.1: All-weather cargo protection provided by the tonneau cover.

Non-destructive and Quick Installation



Figure 2.2: Details of the cover's durable FRP material, portable LED light, and stable hinges.

3. COMPATIBILITY

This LEDKINGDOMUS Hard Trifold Tonneau Cover is specifically designed for:

- **Vehicle:** Toyota Tacoma
- **Model Years:** 2016, 2017, 2018, 2019, 2020, 2021, 2022, 2023
- **Bed Size:** 5 feet (5ft)
- **Additional Requirement:** Compatible with track rail systems. Excludes Trail models.

Important: Measure your truck bed carefully to ensure proper fitment. The cover is designed for trucks without existing racks or cargo boxes installed. Please remove any such accessories before installation.

Measure Your Truck Bed Carefully

How to Measure the Truck Bed Length

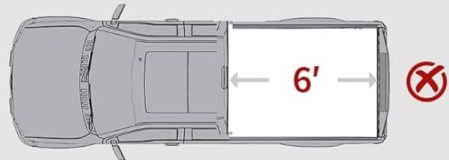
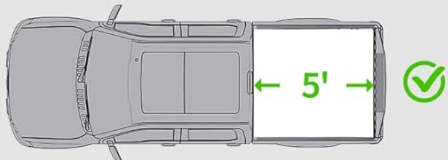
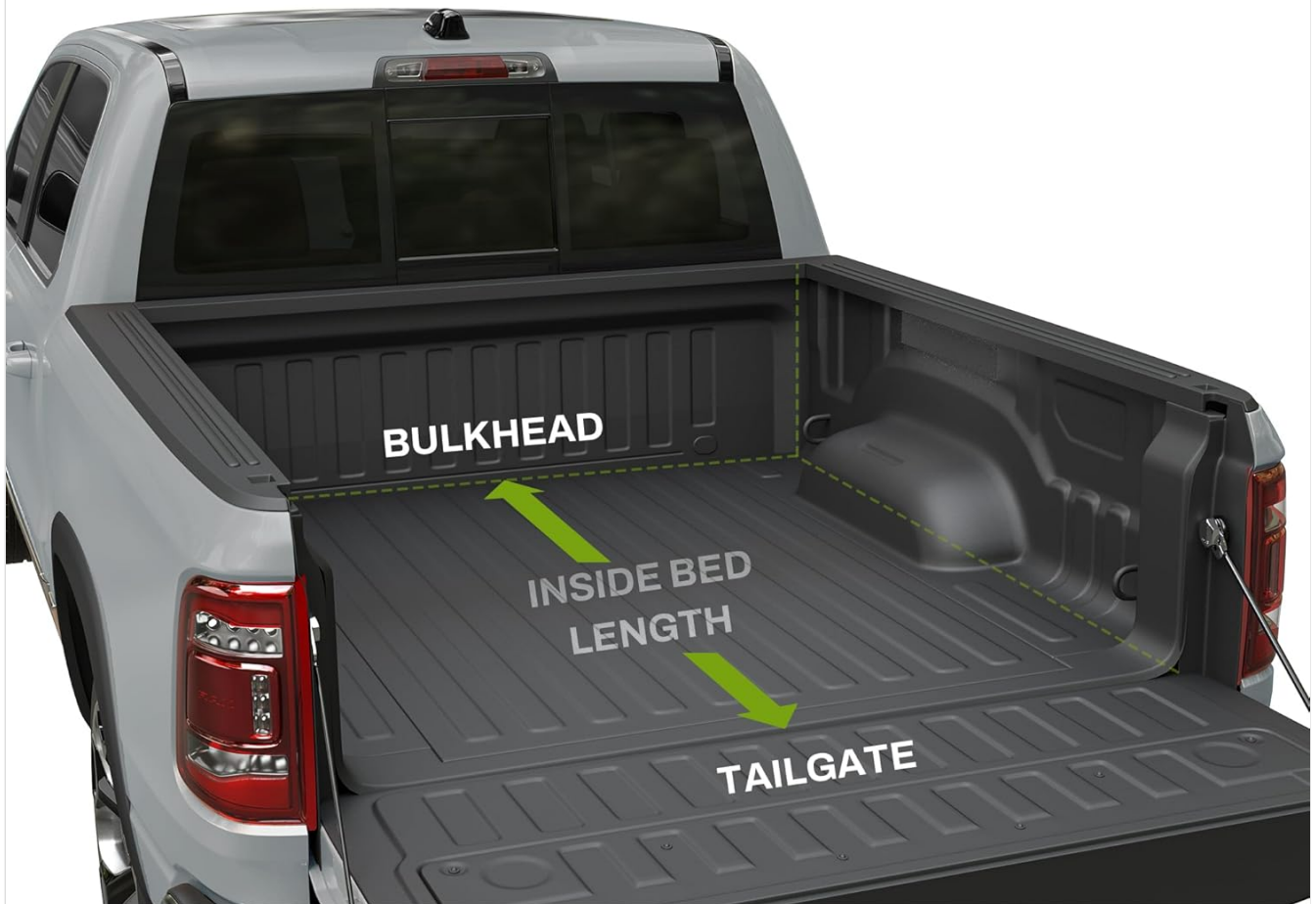


Figure 3.1: Guide for measuring your truck bed length.



Do not fit truck beds with racks or cargo boxes installed. Please remove them before installing the cover.

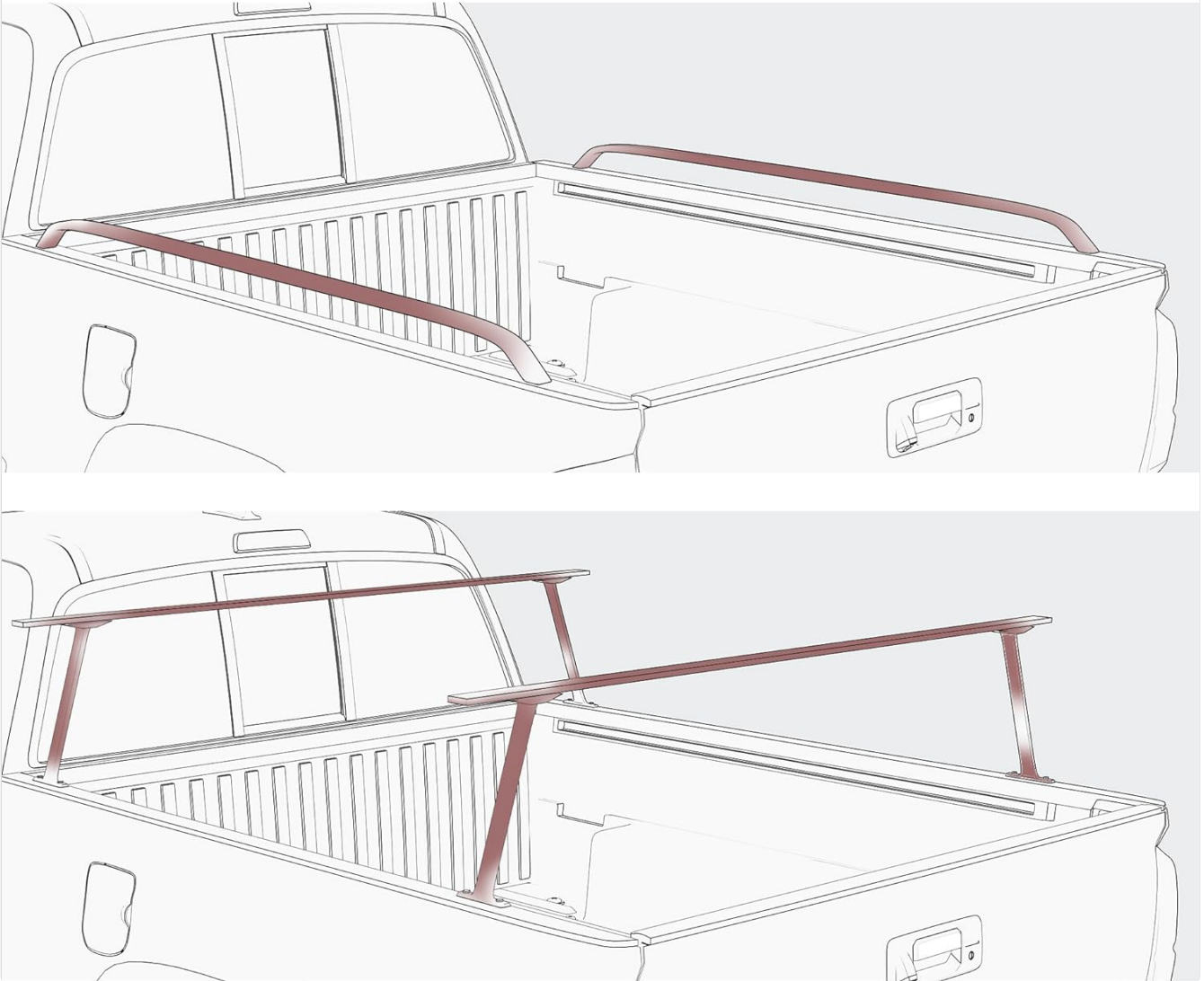


Figure 3.2: Ensure no racks or cargo boxes are installed before fitting the cover.

4. PARTS LIST

Please verify that all components are present before beginning installation:

- Hard Trifold Tonneau Cover Assembly
- Installation Hardware Kit (Clamps, Bolts, Washers, etc.)
- Weather Stripping
- Portable LED Light (if included with your model)
- Instruction Manual

5. INSTALLATION INSTRUCTIONS

5.1 Pre-Installation

1. Thoroughly clean the truck bed rails and bulkhead area where the tonneau cover will be installed. Ensure surfaces are

dry and free of debris.

2. Unpack all components and verify against the parts list.
3. Apply the provided weather stripping to the bulkhead (front of the truck bed) to create a seal against the cover. Trim as necessary.

5.2 Step-by-Step Installation

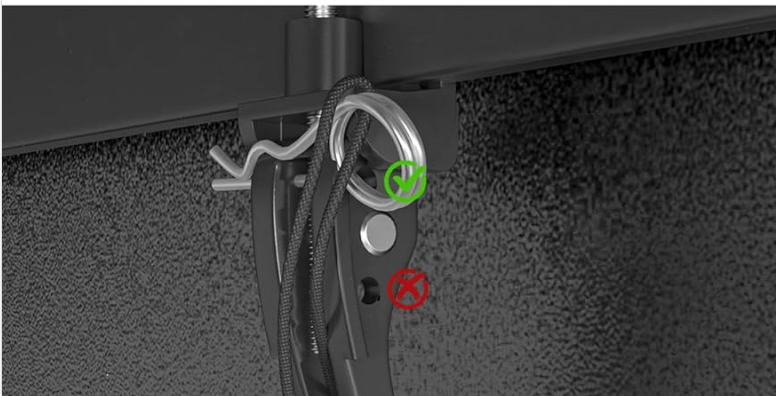
1. Position the folded tonneau cover assembly onto the truck bed, aligning it against the bulkhead. Ensure the cover is centered and flush with the bed rails.
2. Unfold the first section of the cover towards the tailgate.
3. Locate the front clamps on the underside of the cover. Securely attach these clamps to the truck bed rails by twisting the T-handle screws until they are firm.
4. Unfold the remaining sections of the cover towards the tailgate.
5. Attach the rear clamps to the truck bed rails. Ensure all clamps are firmly in contact with the lip of the metal bed rail to create a secure seal. Snap the rear clamp levers into the groove to prevent loosening.
6. Verify that the cover is evenly spaced and aligned on both sides of the truck bed.
7. Install the drain pipes (two pipes, one on each side) into the designated holes on the underside of the cover's front section. Route the pipes through the truck bed and out through the drain holes in the truck bed floor, securing them with hose clamps.

Non-destructive and Quick Installation



Weather Strip for
Water and Dust Resistant

Sturdy Metal Clamp
to Fix the Cover



Quick Release Latch
with Bulletproof Clip

Please insert the clip into the upper hole in-
stead of the lower

Figure 5.1: Key components for non-destructive and quick installation.



HARD TRI-FOLD TONNEAU COVER

Crafted from highly durable fiberglass materials to provide peace of mind for your belongings

Figure 5.2: Secure latch mechanism for safe operation.



Figure 5.3: Nylon strap for securing the cover when folded.

5.3 Installation Videos

Your browser does not support the video tag. Please download the video to view it.

Video 5.1: LEDKINGDOMUS Hard Top Truck Bed Cover Installation Guide.

Your browser does not support the video tag. Please download the video to view it.

Video 5.2: Detailed installation and testing of the LEDKINGDOMUS Hard Tri-fold Tonneau Cover.

Your browser does not support the video tag. Please download the video to view it.

Video 5.3: LEDKINGDOMUS Hard Fold Bed Cover Installation Guide.

6. OPERATING INSTRUCTIONS

6.1 Opening the Tonneau Cover

1. Lower the tailgate.
2. Release the rear clamps by pulling the levers towards the center of the truck bed.
3. Fold the rear section of the cover towards the cab.
4. If more bed access is needed, release the middle clamps and fold the second section towards the cab.
5. Secure the folded cover using the integrated nylon straps and buckles to prevent movement during transit.

6.2 Closing the Tonneau Cover

1. Release the nylon straps securing the folded cover.
2. Carefully unfold each section of the cover towards the tailgate, ensuring proper alignment.
3. Once fully extended, engage the rear clamps by pushing the levers outwards until they securely lock onto the bed rails.
4. Ensure all sections are flat and securely latched before driving.

Hard Tri-fold Tonneau Cover

Quick Access for Different Loading Needs



Figure 6.1: Different access levels for the hard tri-fold tonneau cover.

7. CARE AND MAINTENANCE

- **Cleaning:** Regularly clean the tonneau cover with mild soap and water. Avoid abrasive cleaners or harsh chemicals that could damage the FRP finish. Rinse thoroughly and allow to air dry.
- **Seal Inspection:** Periodically inspect the weather seals around the perimeter of the cover and along the folds for any signs of wear or damage. Replace worn seals to maintain water resistance.
- **Hardware Check:** Annually check all clamps, bolts, and hinges for tightness. Tighten any loose hardware to ensure the cover remains securely attached and functions correctly.
- **Drain Pipes:** Ensure drain pipes are clear of debris to allow proper water drainage from the truck bed.

8. TROUBLESHOOTING

Issue	Possible Cause	Solution
-------	----------------	----------

Issue	Possible Cause	Solution
Water leakage into truck bed	Improperly installed weather stripping; loose clamps; damaged seals.	Ensure weather stripping is correctly applied. Tighten all clamps. Inspect and replace any damaged seals. Verify drain pipes are clear.
Cover does not close or latch properly	Misalignment; obstruction; worn latch mechanism.	Check for any obstructions on the bed rails. Realign the cover. Inspect latch mechanisms for wear and replace if necessary.
Cover rattles while driving	Loose clamps.	Tighten all installation clamps securely.

9. PRODUCT SPECIFICATIONS

Attribute	Detail
Brand	LEDKINGDOMUS
Model	MAMUS7ncyL
Style	Hinged Hard Trifold
Exterior Finish	FRP (Fiberglass Reinforced Polymer)
Material	Fiberglass Reinforced Polymer
Core Material	Polypropylene Honeycomb
Lock Type	Tailgate (locks in tandem with tailgate)
Weight Limit	400 Pounds
Item Weight	54.7 pounds
Product Dimensions	63.38 x 24.6 x 6.1 inches
Automotive Fit Type	Vehicle Specific Fit

10. WARRANTY AND SUPPORT

LEDKINGDOMUS products are designed for durability and performance. For specific warranty details regarding your Hard Trifold Tonneau Cover, please refer to the warranty card included in your product packaging or visit the official LEDKINGDOMUS website.

If you encounter any issues during installation or operation, or require technical assistance, please contact LEDKINGDOMUS customer support through the vendor's contact information provided at the point of purchase or on the official brand website.