

## Manuals+

[Q & A](#) | [Deep Search](#) | [Upload](#)

manuals.plus /

> [homary](#) /

> [Homary 70.9-inch Modern L-Shape Executive Desk \(Model JJI68Q4602\) Instruction Manual](#)

homary JJI68Q4602

# Homary 70.9-inch Modern L-Shape Executive Desk

Model: JJI68Q4602

## PRODUCT OVERVIEW

This manual provides essential information for the assembly, operation, maintenance, and troubleshooting of your Homary 70.9-inch Modern L-Shape Executive Desk. Please read these instructions carefully before beginning assembly or use to ensure proper function and longevity of your product.



Image: The Homary L-Shape Executive Desk, featuring a black finish and integrated storage, positioned in a modern office environment.

## SAFETY INFORMATION

- **Anchoring:** Ensure the desk is properly anchored to the wall to prevent tipping, especially if children are present or if the desk will hold heavy items.
- **Weight Capacity:** Do not exceed the maximum weight recommendation of 220.5 pounds (100 kg) for the desktop. Refer to the specifications section for individual load capacities of drawers.
- **Assembly:** Follow all assembly instructions carefully to ensure the desk's structural integrity and stability. Incorrect assembly can lead to instability and potential injury.
- **Placement:** Place the desk on a level surface to prevent wobbling and ensure even weight distribution.

## SETUP AND ASSEMBLY

Your Homary Executive Desk requires assembly. All necessary assembly tools are included in the packaging.

Please ensure you have sufficient space and assistance if needed during the assembly process.

## 1. Unpacking and Inspection

Carefully unpack all components. The product is delivered in multiple packages to prevent collision damage during transportation. Verify that all parts listed in the included parts list are present and undamaged before proceeding.

### Protective Packing

In order to ensure the safe delivery of the product, we use three packages for delivery separately to prevent the product from collision damage during transportation.



Image: Illustration of the protective packaging used for shipping the desk components.

## 2. Assembly Steps

Refer to the detailed assembly instructions provided in the separate assembly guide included with your product. It contains step-by-step diagrams and instructions for each component. Ensure all screws and fasteners are tightened securely, but do not overtighten.

1. Identify all components and hardware.
2. Assemble the main desk frame according to the diagrams.
3. Attach the L-shaped return and storage unit.
4. Install drawers and cabinet doors.
5. Place the desk in its desired location and ensure it is level.

- Secure the desk to the wall using appropriate anchoring hardware (not always included, check your specific package).

## OPERATING AND USAGE

The Homary L-Shape Executive Desk is designed to maximize your workspace and enhance organization for studying, working, and writing.

### Workspace and Ergonomics

The innovative L-shaped design provides an expansive surface area, allowing for multiple monitors, documents, and other work essentials. The desk features an ergonomic legroom design, offering approximately 27.56 inches (700mm) of comfortable space for your legs.

### Ergonomic Legroom Design

27.56 inches of comfortable space for your legs.



Image: Diagram illustrating the ergonomic legroom and overall dimensions of the desk.

### Storage Features

The integrated storage unit includes three spacious drawers and two open storage cabinets, providing ample space for organizing documents, office supplies, and electronic devices. A cable outlet inlet is also provided for neat cable

management.

## Large size L-shaped executive desk

Large enough workspace to keep your desk convenient and tidy



Image: The desk showcasing its large L-shaped workspace and the integrated storage unit with open shelves.

## Built to Last, Designed for Stability



3 drawers



2 open storage cabinets



cable outlet inlet

Image: Detailed view of the desk's storage section, highlighting the three drawers, two open storage cabinets, and a cable outlet for organized wiring.

## MAINTENANCE AND CARE

To ensure the longevity and appearance of your Homary Executive Desk, follow these maintenance guidelines:

- **Cleaning:** The high-density MDF surface is designed to be easy to clean. Use a soft, damp cloth with a mild, non-abrasive cleaner. Avoid harsh chemicals or abrasive materials that could damage the finish.
- **Spills:** Wipe up spills immediately to prevent moisture absorption and staining, especially on the wooden surfaces.
- **Heat and Moisture:** Avoid placing hot items directly on the desk surface. Use coasters for drinks. Protect the desk from excessive moisture and direct sunlight to prevent warping or fading.
- **Hardware:** Periodically check and tighten all screws and fasteners to maintain stability.



## A Thick MDF Wood Surface You Can Rely On – Tough, Resistant, Timeless.



Strong and abrasion-resistant



Unique grain pattern



Easy to clean

Image: A magnified view of the desk's thick MDF wood surface, emphasizing its robust, abrasion-resistant, and easy-to-clean characteristics.

## TROUBLESHOOTING

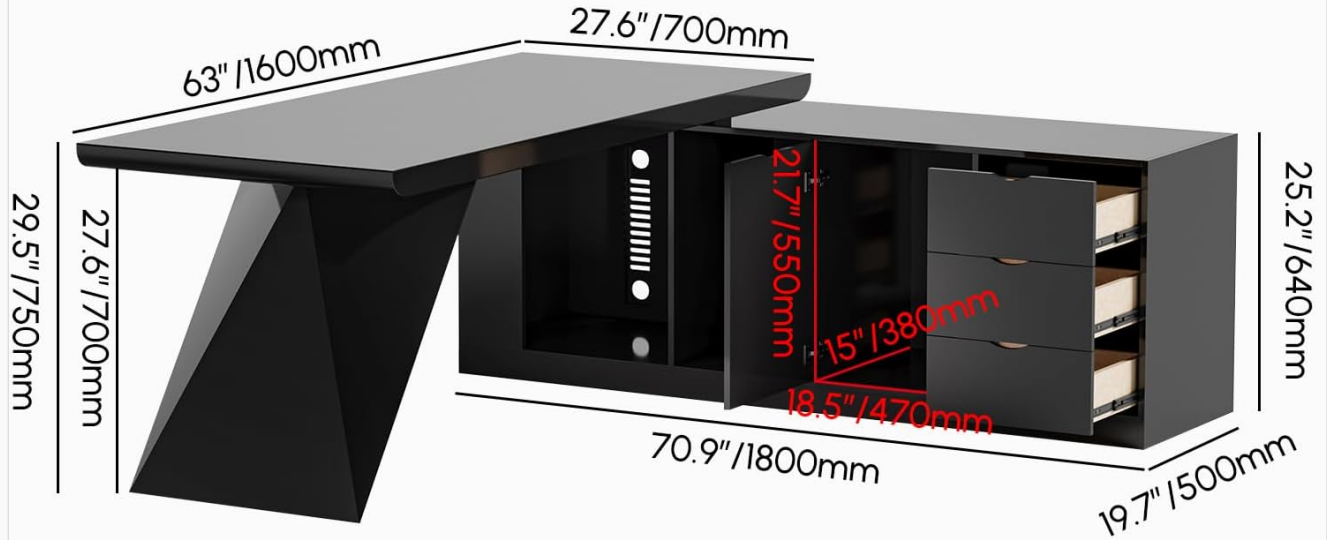
This section addresses common issues you might encounter with your executive desk.

- **Wobbling Desk:** Ensure the desk is placed on a flat, level surface. Check all assembly screws and tighten them if loose. Adjust any leveling feet if present.
- **Drawers Sticking:** Verify that the drawer slides are correctly installed and free of obstructions. Ensure the drawers are not overloaded.
- **Surface Scratches:** While the MDF surface is durable, avoid dragging sharp or heavy objects across it. Use desk pads or mats for protection.
- **Missing Parts:** If any parts were missing upon delivery, please contact customer support immediately with your order details.

# SPECIFICATIONS

Detailed specifications for the Homary 70.9-inch Modern L-Shape Executive Desk.

## Product Size



Desktop load



Drawer load

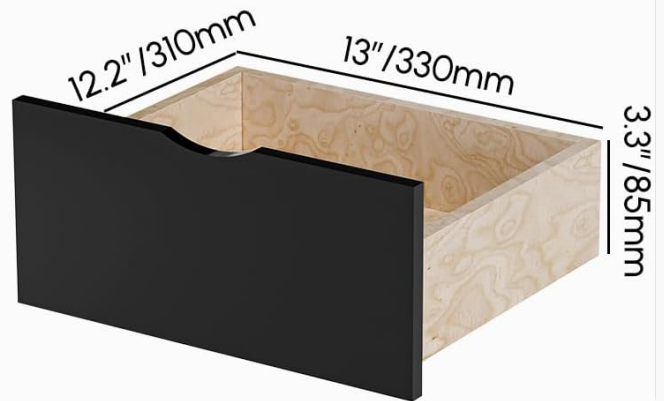


Image: Comprehensive diagram showing the overall dimensions of the desk, including desktop load and drawer load capacities.

Feature	Detail
Brand	homary
Model Number	JJ168Q4602
Product Dimensions (D x W x H)	70.9"D x 70.9"W x 29.5"H (1800mm x 1800mm x 750mm)
Color	Black
Style	Modern
Base Material	Engineered Wood
Top Material Type	Engineered Wood (MDF Finish)

Feature	Detail
Special Feature	L-Shape, Integrated Storage
Room Type	Office, Study Room
Number of Drawers	3
Number of Cabinets	1 (with 2 open shelves)
Tabletop Thickness	1.97 Inches
Item Weight	328.77 Pounds (149.13 kg)
Maximum Weight Recommendation	220.5 Pounds (100 kg) for desktop
Required Assembly	Yes
Includes All Assembly Tools	Yes

## WARRANTY INFORMATION

This Homary Executive Desk comes with a **Limited Warranty**. For specific details regarding coverage, duration, and terms, please refer to the warranty documentation included with your purchase or contact Homary customer support.

## CUSTOMER SUPPORT

If you have any questions, require assistance with assembly, or need to report missing/damaged parts, please contact Homary customer support.

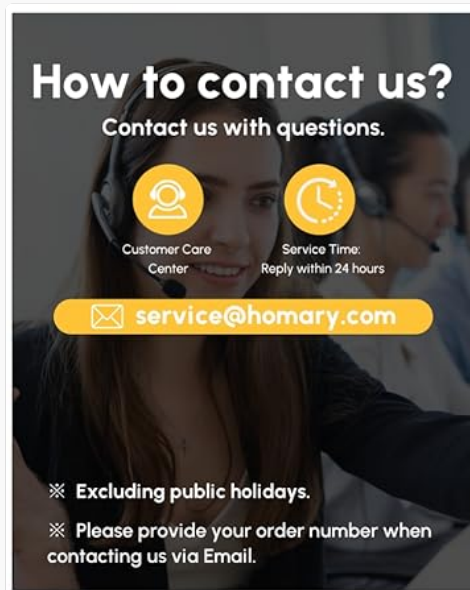


Image: Homary customer support contact details, showing an email address for inquiries.

- **Email:** [service@homary.com](mailto:service@homary.com)
- Please provide your order number when contacting customer support for faster service.
- Customer care center typically replies within 24 hours, excluding public holidays.

