



[Manuals.plus](#) /

> [ETLFUCyber](#) /

> ETLFUCyber 1 DIN Car Stereo with 9-inch Touchscreen, CarPlay, Android Auto, Bluetooth, FM Radio, and Backup Camera

ETLFUCyber 43439307-23bc-4fe1-805d-d83da78b6766

ETLFUCyber 1 DIN Car Stereo Instruction Manual

Model: 43439307-23bc-4fe1-805d-d83da78b6766

INTRODUCTION

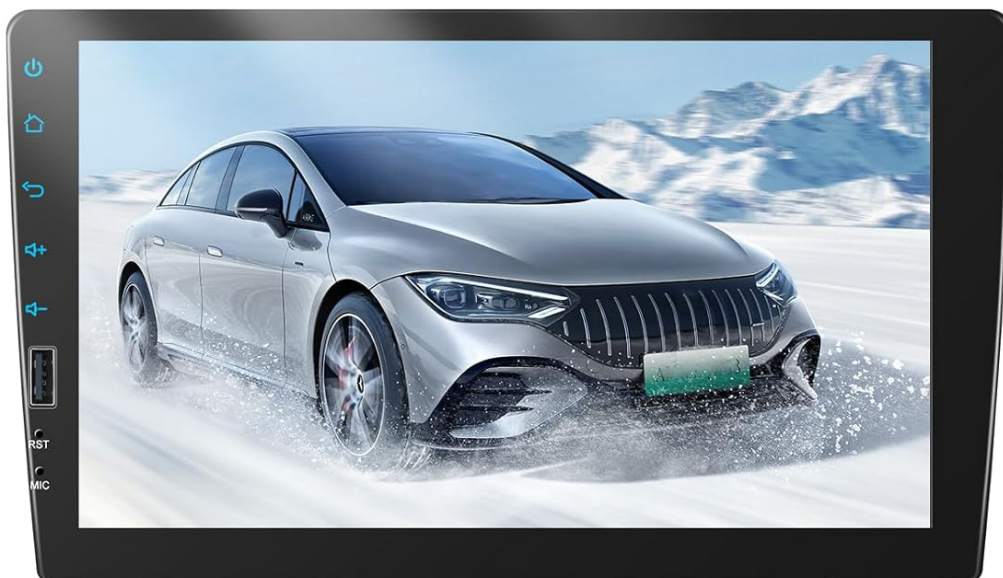
This manual provides detailed instructions for the installation, operation, maintenance, and troubleshooting of your ETLFUCyber 1 DIN Car Stereo. Please read this manual thoroughly before using the product to ensure proper function and safety.

PACKAGE CONTENTS

Verify that all items listed below are included in your package. If any items are missing or damaged, please contact customer support.

- 1 DIN Car Stereo Unit with 9-inch Touchscreen
- Power Cable
- Horn Cable
- User Manual
- Microphone
- Rear View Camera

Package List



Rear Camera



Power Cable



Horn Cable



User Manual



Microphone

Figure 1: Included components in the package.

SETUP AND INSTALLATION

This section covers the physical installation and wiring of the car stereo. Professional installation is recommended.

Dimensions and Mounting

The car stereo has an installation size of 178 mm x 50 mm (7.0 x 1.97 inches), designed to fit most 1 DIN car dashboards. Ensure your vehicle's dashboard opening is compatible before installation.

Rear Interface Definition

Refer to the diagram below for the rear interface connections. Correct wiring is crucial for proper operation.

Rear Interface Definition

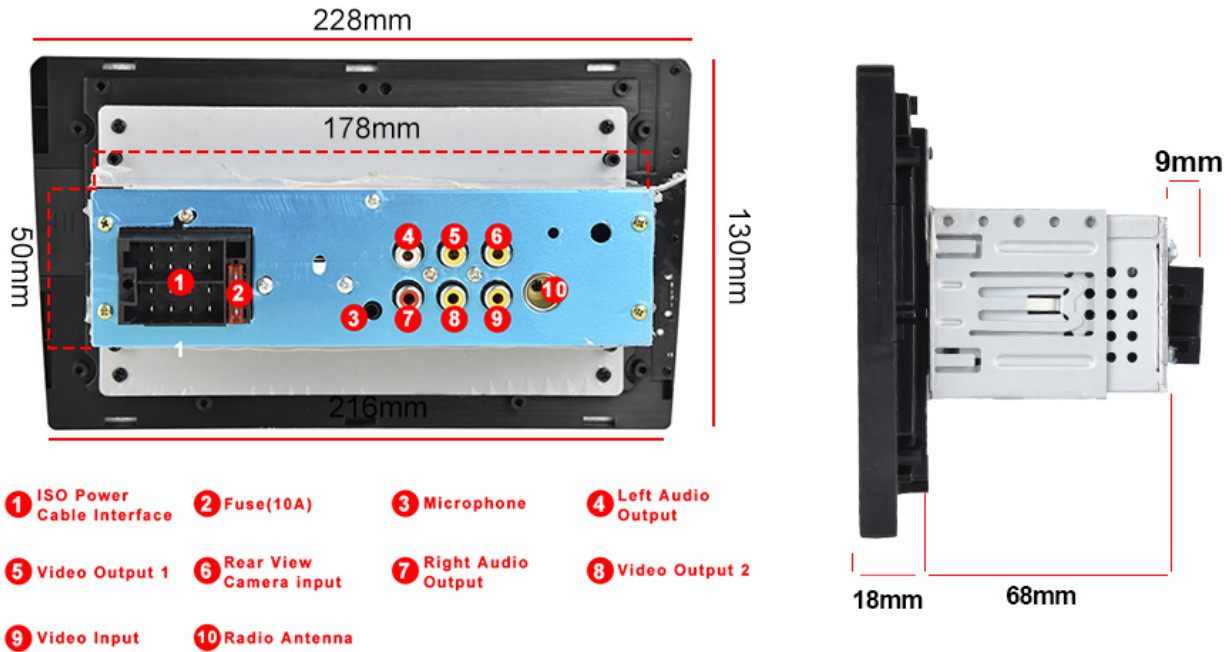


Figure 2: Rear Interface Definition and Dimensions.

1. **ISO Power Cable Interface:** Connects to the vehicle's power harness.
2. **Fuse (10A):** Overcurrent protection.
3. **Microphone:** External microphone input.
4. **Left Audio Output:** RCA output for left audio channel.
5. **Video Output 1:** RCA video output.
6. **Rear View Camera Input:** RCA input for backup camera video.
7. **Right Audio Output:** RCA output for right audio channel.
8. **Video Output 2:** RCA video output.
9. **Video Input:** RCA video input.
10. **Radio Antenna:** Connects to the vehicle's FM/AM antenna.

Backup Camera Connection

To connect the backup camera, follow these steps:

1. Connect the **Red Cable (1)** of the camera to the positive pole of the car's reversing light cable.
2. Connect the **Black Cable (2)** of the camera to the negative pole of the car's reversing light cable.
3. Connect the **Reversing Trigger Wire Cable (4)** (usually pink) to the red cable (3) which is an extension of the video input wire.
4. Connect the camera's video output to the **Rear View Camera Input (6)** on the stereo's rear interface.

How to Connect The Backup Camera

Red Cable ①⑤: Connect the positive pole of the car reversing light cable

Black Cable ②: Connect the negative pole of the car reversing light cable

Reversing Trigger Wire Cable ④ (Pink Color) is connected to red cable ③ (extension of the video input wire)



Figure 3: Backup Camera Wiring Diagram.

OPERATING INSTRUCTIONS

CarPlay and Android Auto

The car stereo supports both wired CarPlay and Android Auto. Connect your smartphone via a USB data cable to access these features. This allows you to control navigation, music, calls, and messages directly from the stereo's touchscreen or via voice commands.

Wired Carplay & Android Auto



Figure 4: CarPlay and Android Auto Interface.

Bluetooth Connectivity

Pair your phone via Bluetooth for hands-free calling and audio streaming. You can answer and make calls directly from the stereo and play music stored on your device.

Bluetooth

Support hands-free calling, downloading phonebook and play bluetooth music



Hey Jack, I am driving

Coming soon



FM Radio

you can listen to news broadcasts, weather forecast, real time traffic information etc.



Figure 5: Bluetooth Calling and FM Radio Interface.

FM Radio

The 1 DIN radio supports automatic searching for FM stations and allows you to save up to 18 stations for quick access. Tune in to news, weather forecasts, and real-time traffic information.

Equalizer (EQ) Settings

Adjust the audio output using the built-in equalizer. The multiband graphic equalizer allows you to customize sound profiles for various music genres or personal preferences, enhancing bass, midrange, and treble.

EQ

EQ adjustment, a variety of surround sound field modes strong bass, soft midrange and bright treble and a transparent stereo sound. High Definition Touch Screen Full capacitive touch screen for easy operation. Well designed user interface for car



Figure 6: Equalizer Settings Interface.

Mirror Link

Connect your phone via USB cable to mirror its screen onto the car stereo display. This feature allows you to view your phone's content, such as videos or navigation apps, on the larger 9-inch screen.

Wired Mirror Link



Figure 7: Mirror Link Functionality.

Voice Control

Utilize voice control through CarPlay or Android Auto to manage various functions. Activate your phone's assistant (Siri or Google Assistant) to play music, get navigation directions, make calls, and send messages, all while keeping your focus on the road.



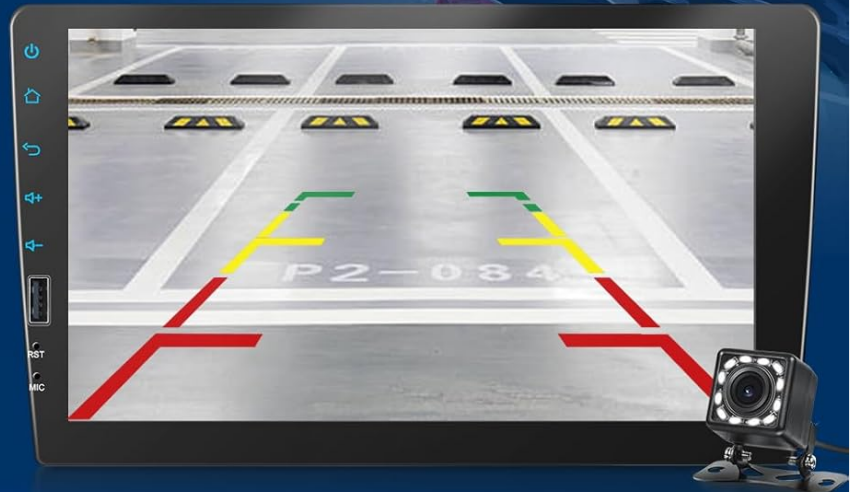
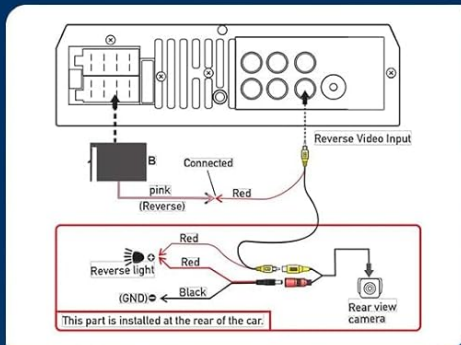
Figure 8: Voice Control Interface.

Steering Wheel Control (SWC)

After installing the car stereo, you need to configure the steering wheel buttons in the system settings. Navigate to **Setting > Steer** to learn the buttons. This allows you to control functions like volume, track changes, and calls directly from your steering wheel for safer operation.

Backup Camera

You can connect the rear view camera, and it will provide you with assistance in reversing



Steering Wheel Control

You can make calls, adjust the volume or change songs more safely



Figure 9: Steering Wheel Control Setup.

Note:

After the installation of the car stereo, you need to complete the steering wheel button learning in the Setting-Steer, and then you can use the steering wheel control function.



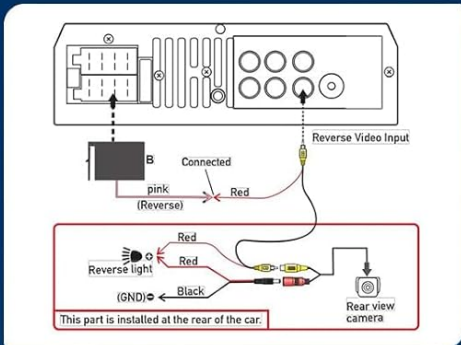
Figure 10: Learning Steering Wheel Buttons.

Backup Camera Functionality

When the vehicle is shifted into reverse, the connected rear camera automatically activates, displaying a clear view on the 9-inch screen. This assists in safe parking and maneuvering.

Backup Camera

You can connect the rear view camera, and it will provide you with assistance in reversing



Steering Wheel Control

You can make calls, adjust the volume or change songs more safely



Figure 11: Backup Camera View (part of image 711-0hPa5tL).

MAINTENANCE

- **Cleaning the Screen:** Use a soft, lint-free cloth to gently wipe the touchscreen. Do not use abrasive cleaners or solvents.
- **General Cleaning:** Keep the unit free from dust and debris. Use a dry cloth for external surfaces.
- **Software Updates:** Check the manufacturer's website periodically for any available software updates to ensure optimal performance and compatibility.
- **Avoid Extreme Temperatures:** Do not expose the unit to extreme heat or cold, as this can affect its performance and lifespan.

TROUBLESHOOTING

Problem	Possible Cause	Solution
---------	----------------	----------

Problem	Possible Cause	Solution
No power	Incorrect wiring; Blown fuse; Vehicle power issue.	Check power cable connections. Inspect and replace fuse if necessary. Verify vehicle's power supply.
No sound	Volume too low; Mute activated; Incorrect speaker wiring.	Increase volume. Check if mute is on. Verify speaker connections.
CarPlay/Android Auto not connecting	Faulty USB cable; Phone not compatible; Software issue.	Use a high-quality USB data cable. Ensure your phone's OS is up to date. Restart both phone and stereo.
Backup camera not displaying	Incorrect camera wiring; Camera malfunction; Trigger wire issue.	Check all camera connections, especially the trigger wire. Test camera with another display if possible.
Steering Wheel Control not working	Not configured; Incorrect wiring.	Perform the SWC learning procedure in settings. Verify SWC wiring.

If the problem persists after attempting these solutions, please contact customer support.

SPECIFICATIONS

Brand	ETLFUCyber
Model Number	43439307-23bc-4fe1-805d-d83da78b6766
Display	9-inch Touchscreen
Installation Size	1 DIN (178 mm x 50 mm)
Connectivity Technology	Bluetooth, USB, 3.5mm Jack
Special Features	CarPlay, Android Auto, Mirror Link, Backup Camera Support, EQ, FM Radio, Steering Wheel Control, Microphone
Compatible Devices	Smartphone, Tablet
Audio Output Mode	Stereo (5.1 Surround Sound Channels)
Video Encoding	H.264
Product Weight	1140 Grams (1.14 kg)
Package Dimensions	23 x 14 x 10 cm
Country of Origin	China

WARRANTY AND SUPPORT

Your ETLFUCyber car stereo comes with a **2-year technical support guarantee**. We are committed to providing excellent customer service.

- **24-hour Email Response Service:** For any inquiries or issues, our customer service team aims to respond within 24 hours.
- **30-day Unconditional Refund Policy:** If you are not satisfied with your purchase, you may be eligible for a refund within 30 days.

If you have any questions or encounter problems, please feel free to contact us. We are here to help you resolve any issues.

Service Guarantee

We provide excellent customer service and our professional technical team can solve product problems. If you have any questions, please feel free to contact us, we will help you solve the problem!

24.^h



24-hour
email response
service



30.^D



30-day
unconditional
refund policy



2.^Y



2 years
technical
support guarantee



Figure 12: Service Guarantee Information.