

[Manuals.plus](#) /

> [Aksomel](#) /

> Akxomel Natural Rattan Shoe Storage Bench with Cushion (Model: shoe bench 702M) - Instruction Manual

Aksomel shoe bench 702M

Aksomel Natural Rattan Shoe Storage Bench with Cushion (Model: shoe bench 702M) - Instruction Manual

Model: shoe bench 702M | Brand: Akxomel

1. PRODUCT OVERVIEW

This manual provides instructions for the Akxomel Natural Rattan Shoe Storage Bench with Cushion. This unit is designed to offer both seating and shoe storage, featuring a natural rattan design and solid wood legs.

- **Product Dimensions:** 15"D x 39.4"W x 20"H
- **Color:** Natural
- **Furniture Finish:** Engineered wood
- **Seat Height:** 20 Inches
- **Maximum Weight Recommendation:** 250 Pounds



Figure 1: Akxomel Natural Rattan Shoe Storage Bench with Cushion. This image shows the assembled bench in an entryway setting, featuring its natural wood finish, rattan panels, and a light-colored cushion.

2. SAFETY INFORMATION

Please read and understand all safety instructions before assembly and use. Failure to follow these instructions may result in injury or product damage.

- Do not exceed the maximum weight limit of **250 lbs** on the bench.
- Keep the bench indoors to maintain its longevity and appearance.
- Ensure all screws and fasteners are securely tightened before use. Periodically check and re-tighten as necessary.
- Do not stand on the bench.

- Keep small parts away from children during assembly to prevent choking hazards.
-

3. PACKAGE CONTENTS

Verify that all components are present before beginning assembly. If any parts are missing or damaged, contact customer support.

- Bench Frame Components (Side panels, bottom panel, top panel, back panel)
 - 2 Cabinet Doors with Rattan Panels
 - Adjustable Shelf
 - 4 Solid Wood Legs
 - Cushion (30mm thick)
 - Hardware Pack (Screws, dowels, cam locks, door hinges, handles, shelf pins)
 - Assembly Instructions Manual
-

4. SETUP AND ASSEMBLY

Assembly is designed to be straightforward. Follow the included step-by-step instructions and use the provided hardware.

1. **Unpack Components:** Carefully remove all parts from the packaging and lay them out on a clean, soft surface to prevent scratches.
2. **Identify Parts:** Refer to the parts list in the separate assembly guide to identify each component.
3. **Assemble Frame:** Connect the side panels to the bottom and top panels using the designated hardware. Ensure all connections are snug.
4. **Attach Back Panel:** Secure the back panel to the assembled frame.
5. **Install Legs:** Attach the four solid wood legs to the base of the bench.
6. **Install Doors:** Attach the hinges to the cabinet doors and then mount the doors to the bench frame. Adjust hinges as needed for proper alignment.
7. **Insert Adjustable Shelf:** Place the shelf pins into the desired height positions inside the cabinet and then rest the adjustable shelf on the pins.
8. **Place Cushion:** Position the 30mm thick cushion on top of the bench. The cushion features an anti-slip Velcro for secure placement.
9. **Final Check:** Verify that all screws are tightened and the bench is stable before use.

Solid wood legs support up to 250 lbs

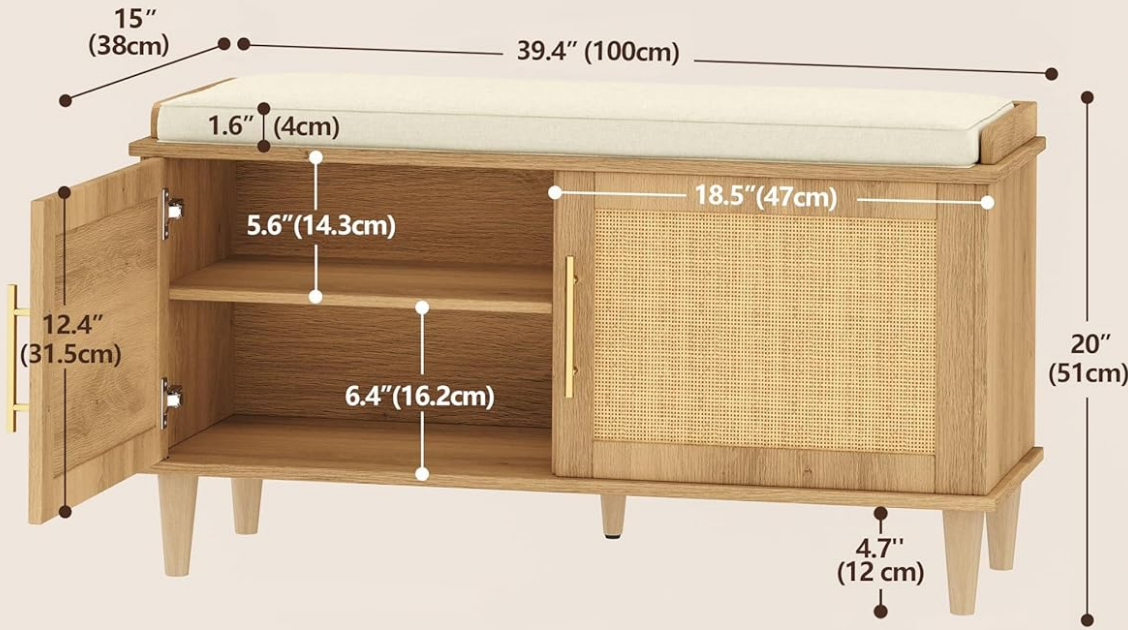


Figure 2: Dimensional diagram of the shoe storage bench, illustrating overall measurements and internal compartment sizes for assembly reference.



Figure 3: The shoe bench with both doors open, displaying multiple pairs of shoes stored on the internal shelves, demonstrating storage capacity.

5. OPERATING INSTRUCTIONS (USAGE)

The Akxomel shoe storage bench is designed for convenient use in entryways, hallways, or bedrooms.

- **Seating:** Use the cushioned top for comfortable seating while putting on or taking off shoes. The ergonomic height of 20 inches is designed for ease of use.
- **Shoe Storage:** Open the two cabinet doors to access the internal storage compartments. The bench can typically hold 8-12 pairs of shoes, depending on size and style.
- **Adjustable Shelf:** The middle shelf inside the cabinet is adjustable. To change its height, remove the shelf, reposition the shelf pins to the desired slots, and then reinsert the shelf. This allows

accommodation for various shoe heights, from low-top sneakers to high-heeled boots.

- **Privacy:** The natural rattan panels on the doors provide a discreet storage solution, keeping your entryway tidy while adding a decorative element.



Figure 4: The shoe bench with one door open, revealing neatly stored shoes on the internal shelves.



Sturdy Wood Legs

Firm Suction Device

Cushion Anti-Slip Velcro

Removable Fabric Cover



Figure 5: An illustration of the adjustable shelf feature, demonstrating how the shelf can be moved to accommodate different shoe heights, including boots.

6. MAINTENANCE

Proper care will ensure the longevity and appearance of your shoe storage bench.

- **Cleaning:** Wipe the surface of the bench with a dry, soft cloth. Avoid using harsh chemicals or abrasive cleaners, which can damage the finish.

- **Cushion Care:** The cushion cover is removable for cleaning. Follow the care instructions on the cushion label.
- **Rattan Care:** Gently dust the rattan panels with a soft brush or cloth. Avoid excessive moisture.
- **Hardware Check:** Periodically check all screws and fasteners to ensure they remain tight. Re-tighten if necessary to maintain stability.
- **Placement:** Keep the bench away from direct sunlight and extreme temperature changes to prevent warping or fading.

7. TROUBLESHOOTING

Problem	Possible Cause	Solution
Bench feels unstable or wobbly.	Loose screws or uneven floor.	Ensure all assembly screws are fully tightened. If the floor is uneven, place shims under the legs to stabilize.
Cabinet doors do not close properly or are misaligned.	Hinges are loose or improperly adjusted.	Adjust the door hinges using a screwdriver. Refer to the assembly guide for hinge adjustment instructions. Ensure the bench is on a level surface.
Doors cannot be opened when someone is sitting on the bench.	Weight on the cushion causes the top panel to slightly depress, obstructing door movement.	Avoid opening the cabinet doors while someone is seated on the bench. Ensure the bench is not overloaded.
Cushion slides off the bench.	Anti-slip Velcro not engaged or dirty.	Ensure the Velcro strips on the bottom of the cushion and the top of the bench are clean and properly aligned for maximum grip.

8. SPECIFICATIONS

- **Brand:** Akxomel
- **Model Number:** shoe bench 702M
- **Product Dimensions:** 15"D x 39.4"W x 20"H
- **Item Weight:** 39.6 pounds
- **Color:** Natural
- **Furniture Finish:** Engineered wood
- **Seat Height:** 20 Inches
- **Maximum Weight Recommendation:** 250 Pounds
- **Seating Capacity:** Designed for one adult, or up to 12 pairs of shoes internally.
- **Product Care Instructions:** Wipe with Dry Cloth
- **Date First Available:** March 11, 2025

9. WARRANTY AND SUPPORT

Akxomel stands behind the quality of its products. For warranty information, missing parts, or technical assistance, please contact Akxomel customer support through your retailer or the official Akxomel website. Please have your model number (shoe bench 702M) and purchase date available when contacting support.

© 2025 Akxomel. All rights reserved.